

SKF® industrial turntables



For industrial work stations, product displays, material container stands, paint booths and welding tables

These industrial grade turntables are ideal for welding and industrial worktables, product displays, material handling stands, paint booths and many other “Lazy Susan” type applications.

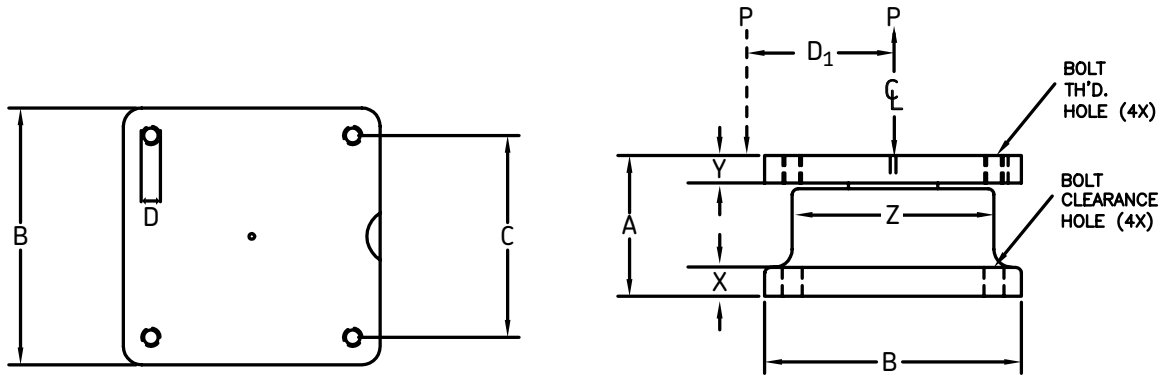
Turntables may be mounted using the recommended bolts or welded directly to the fixture. The bottom flange is to be fastened first with standard size bolts. Top plates feature tapped holes to provide ease of assembly.

All sizes can be purchased as standard or locatable* units. Locatable units allow 90° indexing. All turntables are fitted with permanently lubricated and sealed bearings, eliminating the need for future re-lubrication. All turntables are engineered for safe, smooth, long-lasting operation.



Industrial turntables

Equipped with permanently lubricated and sealed bearings



Part number	Load capacity (lbs) P	Moment capacity inch-lb M†	Height A	Length B	Center C	Mt'g bolt size D	Height X	Height Y	Length Z	Weight
Standard or locatable										
UT 01 CN or UT 01 CL	1,000	650	1.77"	3.25"	2.50"	1/4"-20	0.39	0.38	2.25	3.5 lbs
UT 02 CN or UT 02 CL	2,500	1,400	1.92"	3.50"	2.75"	1/4"-20	0.39	0.38	2.75	4.5 lbs
UT 05 CN or UT 05 CL	5,000	3,700	2.43"	5.00"	4.00"	3/8"-16	0.50	0.50	3.75	10.5 lbs
UT 10 CN or UT 10 CL	10,000	8,500	2.72"	6.50"	5.50"	3/8"-16	0.50	0.50	5.00	19.0 lbs

†Moment Load Rating (M) maximum allowable off-center load in (inch-lbs) that the unit can support $M = P \times D_1$
 Moment Load the resulting angular tilt is approximately 10 minutes of a degree.

Turntable nomenclature

UT

Indicates U-Turn, SKF's turntable offering

10

Two digit number indicates the central load carrying capacity in pounds. (e.g. 10,000 lbs.)

XX

Material and special features;
 CN = cast iron/non-locatable
 CL = cast iron/locatable

* Locating pins are not intended to be used as a mechanical (hard) stop.

** Only available in UT 10 Series.

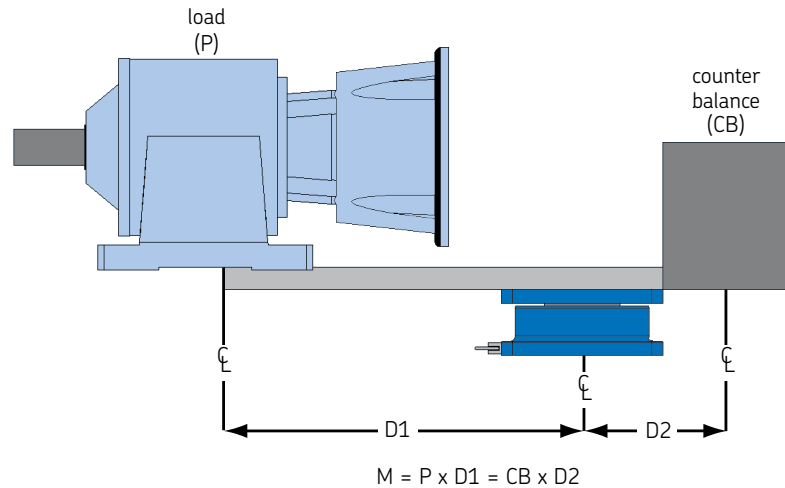
Special order/custom turntables

Please consult Customer Service at 1-888-753-3477 or the SKF Engineering Hotline at 1-888-753-2000 for information and availability.

For extreme moment loads

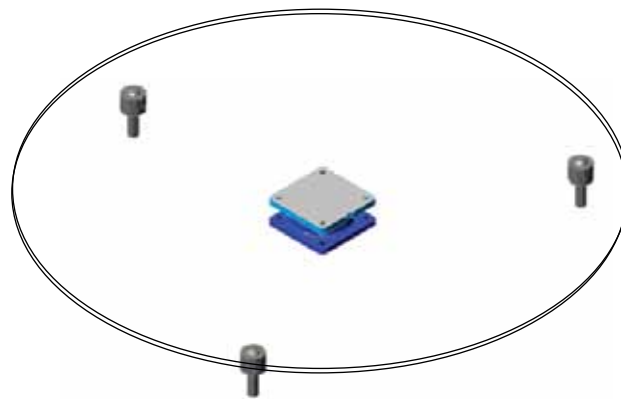
Counter balance

A counter balancing load equal to the overhung one may be placed upon the turntable 180° opposed, provided that the total of the two loads do not exceed the capacity of the turntable.



Ball transfers

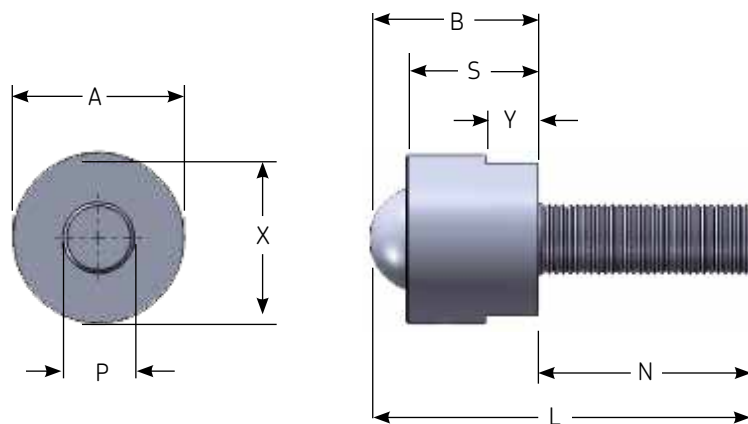
Three or more SKF Heavy load ball transfers may be equally spaced under the work table which is mounted on the turntable upper plate. These units will then allow greater overhung loads and also greater carrying capacity.



Heavy load ball transfer – turntable units

Threaded heavy load ball transfers are stud mounted for easy adjustment of the overall unit height.

These units also feature a recirculating ball path for high load carrying capacity. Three units or more is recommended in turntable applications.



Part No.	Ball Size (mm)	Dimensions (mm)						Load Capacity (lb)		Turntable series		
		A	B	L	N	S	P	X	Y	Type 13	Type 15	series
BT 7131-S736	25.4	50.8	42	102	60	35.9	1" UNF	44.5	17	705	474	UT 01 & UT 02
BT 7154-S737	38.1	60	60	135	75	47	1" UNF	54	19	2204	1477	UT 05 & UT 10

Type 13 = carbon steel unit. Type 15 = stainless steel unit. **Please specify type when ordering.**

Other material handling products from SKF

- Ball transfers
- NILOS rings
- Chains
- Steel balls



© SKF is a registered trademark of SKF USA Inc.

© SKF USA Inc. 2014

The contents of this publication are the copyright of the publisher and may not be reproduced (even extracts) unless prior written permission is granted. Every care has been taken to ensure the accuracy of the information contained in this publication but no liability can be accepted for any loss or damage whether direct, indirect or consequential arising out of use of the information contained herein.

Publication 980-500 (500/AN) Version 2/2014 Printed in U.S.A.