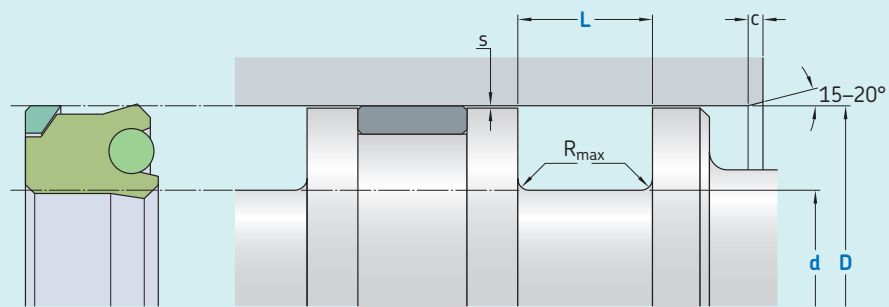


K04-PD



Ordering dimensions in **blue**

Surface roughness	R_{tmax}	R_a
	μm	
Sliding surface	≤ 2,5	0,05–0,2
Bottom of groove	≤ 6,3	≤ 1,6
Groove face	≤ 15	≤ 3

Bearing area: 50–95% and a cutting depth of 0,5 R_z based on $C_{ref} = 0\%$

Standard dimensions						Maximal radial extrusion gap			
D	d	L	R_{max}	c	s^1	20 bar	100 bar	400 bar	700 bar
H9	h10	+ 0,2							
over	incl.								
mm						mm			
13	25	D – 8	6,0	0,4	3,5	0,80	0,80	0,30	0,04
25	50	D – 10	7,0	0,4	4,0	1,00	1,00	0,37	0,04
50	75	D – 12	8,0	0,4	4,5	1,25	1,24	0,42	0,05
75	150	D – 15	10,0	0,4	5,0	1,50	1,47	0,46	0,05
150	300	D – 20	12,0	0,4	6,0	2,00	1,77	0,54	0,06
300	500	D – 25	18,0	0,4	8,5	2,50	2,06	0,62	0,06
500	600	D – 30	20,0	0,4	10,0	3,00	2,43	0,76	0,06
600	1000	D – 40	26,0	0,4	13,0	3,00	2,43	0,76	²⁾
1000	1600	D – 50	32,0	0,4	15,0	3,00	2,43	0,76	²⁾

¹⁾ Extrusion gap values shown above are valid for a temperature of 70 °C, higher temperatures require lower values.
²⁾ Please contact SKF.

Ordering example

Profile
 D x d x L [mm]
 Sealing material / Energizer / Back-up ring

Piston seal K04-PD
100 x 85 x 10
 ECOPUR / NBR70 / SKF Ectotal

Operating parameters

Material Seal	Energizer	Back-up ring ³⁾	Temperature		Speed ¹⁾	Pressure ²⁾
			from	to	max	max
			°C		m/s	bar (MPa)
■ ECOPUR	NBR 70	■ SKF Ecotal	-30	+100	0,5	700 (70)
■ ECOPUR	NBR 70	■ SKF Ecomid	-30	+100	0,5	700 (70)
■ ECOPUR LD	NBR 70	■ SKF Ecomid	-30	+100	0,5	700 (70)
■ G-ECOPUR	NBR 70	■ SKF Ecomid	-30	+100	0,5	700 (70)
■ H-ECOPUR	NBR 70	■ SKF Ecotal	-20	+100	0,5	700 (70)
■ H-ECOPUR	NBR 70	■ SKF Ecomid	-20	+100	0,5	700 (70)
■ S-ECOPUR	NBR 70	■ SKF Ecotal	-20	+100	0,5	700 (70)
■ S-ECOPUR	NBR 70	■ SKF Ecomid	-20	+100	0,5	700 (70)
■ T-ECOPUR	MVQ 70	■ SKF Ecotal	-50	+100	0,5	700 (70)
■ T-ECOPUR	MVQ 70	■ SKF Ecomid	-40	+100	0,5	700 (70)

IMPORTANT NOTE: The stated operating conditions represent general indications. It is recommended not to use all maximum values simultaneously.

1) Surface speed limit values are valid only in the presence of a lubrication film.

2) Pressure ratings depend on the size of the extrusion gap.

3) Size limitation D: Up to 260mm SKF Ecotal, from 260 – 400 mm SKF Ecotal or SKF Ecomid and above 400 mm SKF Ecomid.