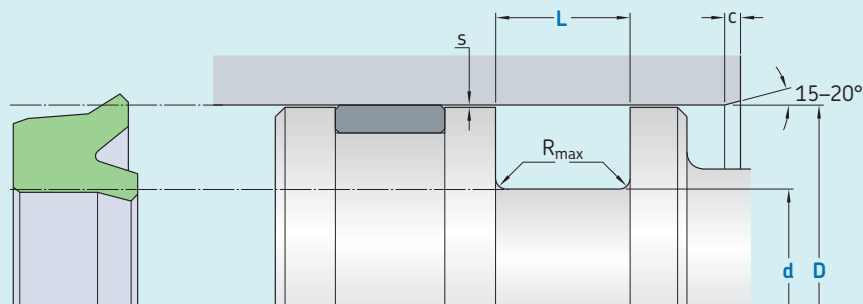


K01-RE



Ordering dimensions in **blue**

Surface roughness	R_{tmax}	R_a
	μm	
Sliding surface	≤ 2,5	0,05–0,2
Bottom of groove	≤ 6,3	≤ 1,6
Groove face	≤ 15	≤ 3

Bearing area: 50–95% and a cutting depth of 0,5 R_z based on $C_{ref} = 0\%$

Standard dimensions						Maximal radial extrusion gap		
D	d	L	R_{max}	c	s^*	20 bar	100 bar	160 bar
H9 over	incl.	+ 0,2						
mm						mm		
13	25	D – 8	6,0	0,4	3,5	0,23	0,16	0,14
25	50	D – 10	7,0	0,4	4,0	0,26	0,19	0,17
50	75	D – 12	8,0	0,4	4,5	0,29	0,22	0,20
75	150	D – 15	10,0	0,4	5,0	0,32	0,24	0,22
150	300	D – 20	12,0	0,4	6,0	0,35	0,27	0,25
300	500	D – 25	18,0	0,4	8,5	0,39	0,30	0,29
500	750	D – 30	20,0	0,4	10,0	0,40	0,34	0,32
750		D – 40	26,0	0,4	13,0	0,40	0,34	0,32

* Extrusion gap values shown above are valid for a temperature of 70 °C, higher temperatures require lower values.

Ordering example

Profile
D x d x L [mm]
Sealing material

Piston seal K01-RE
100 x 85 x 10
SKF Ecorubber-1

Operating parameters

Material Seal	Temperature		Speed ¹⁾	Pressure ²⁾
	from	to	max	max
	°C		m/s	bar (MPa)
■ SKF Ecorubber-1	-30	+100	0,5	160 (16)
■ SKF Ecorubber-H	-25	+150	0,5	160 (16)
■ SKF Ecorubber-2	-20	+200	0,5	160 (16)
■ SKF Ecorubber-3	-50	+150	0,5	160 (16)
■ SKF Ecoflas	-10	+200	0,5	160 (16)
■ SKF Ecosil ³⁾	-60	+200	–	–

IMPORTANT NOTE: The stated operating conditions represent general indications. It is recommended not to use all maximum values simultaneously.

¹⁾ Surface speed limit values are valid only in the presence of a lubrication film.

²⁾ Pressure ratings depend on the size of the extrusion gap.

³⁾ Only recommended for static or quasi-static applications.