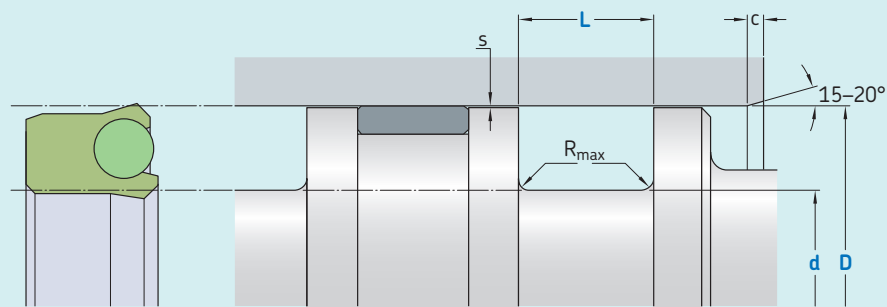


K03-P



Ordering dimensions in **blue**

Surface roughness	R_{tmax}	R_a
	μm	
Sliding surface	≤ 2,5	0,05–0,2
Bottom of groove	≤ 6,3	≤ 1,6
Groove face	≤ 15	≤ 3

Bearing area: 50–95% and a cutting depth of 0,5 R_z based on $C_{ref} = 0\%$

Standard dimensions						Maximal radial extrusion gap			
D	d	L	R_{max}	c	s^*	20 bar	100 bar	200 bar	400 bar
H9 over	incl.	+ 0,2							
mm						mm			
13	25	D – 8	6,0	0,4	3,5	0,33	0,18	0,11	0,05
25	50	D – 10	7,0	0,4	4,0	0,37	0,22	0,16	0,10
50	75	D – 12	8,0	0,4	4,5	0,42	0,27	0,20	0,14
75	150	D – 15	10,0	0,4	5,0	0,46	0,31	0,25	0,19
150	300	D – 20	12,0	0,4	6,0	0,54	0,39	0,32	0,26
300	500	D – 25	18,0	0,4	8,5	0,61	0,46	0,39	0,33
500	600	D – 30	20,0	0,4	10,0	0,67	0,52	0,45	0,39
600	1000	D – 40	26,0	0,4	13,0	0,67	0,52	0,45	0,39
1000	1600	D – 50	32,0	0,4	15,0	0,80	0,60	0,50	0,39

* Extrusion gap values shown above are valid for a temperature of 70 °C, higher temperatures require lower values.

Ordering example

Profile
D x d x L [mm]
Sealing material / Energizer

Piston seal K03-P
100 x 85 x 10
ECOPUR / NBR70

Operating parameters

Material Seal	Energizer	Temperature		Speed ¹⁾	Pressure ²⁾
		from	to	max	max
		°C		m/s	bar (MPa)
■ ECOPUR	NBR 70	-30	+100	0,5	400 (40)
■ ECOPUR LD	NBR 70	-30	+100	0,5	400 (40)
■ G-ECOPUR	NBR 70	-30	+100	0,5	400 (40)
■ H-ECOPUR	NBR 70	-20	+100	0,5	400 (40)
■ S-ECOPUR	NBR 70	-20	+100	0,5	400 (40)
■ T-ECOPUR	MVQ 70	-50	+100	0,5	400 (40)

IMPORTANT NOTE: The stated operating conditions represent general indications. It is recommended not to use all maximum values simultaneously.

¹⁾ Surface speed limit values are valid only in the presence of a lubrication film.

²⁾ Pressure ratings depend on the size of the extrusion gap.