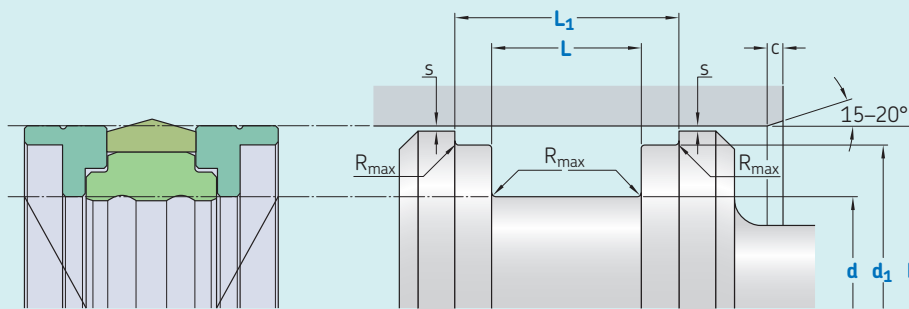


K09-H



Ordering dimensions in **blue**

Surface roughness	R_{tmax}	R_a
	μm	

Sliding surface $\leq 2,5$ $0,05-0,2$

Bottom of groove $\leq 6,3$ $\leq 1,6$

Groove face ≤ 15 ≤ 3

Bearing area: 50–95% and a cutting depth of 0,5 R_z based on $C_{ref} = 0\%$

Standard dimensions

D	H9	d	d_1	L	L_1	R_{max}	c	s^*
over	incl.	h9	h8	+ 0,2				1 500 bar
mm								
20	50	D - 10	D - 3	12,5	20,5	0,4	4,0	0,4
50	80	D - 15	D - 4	20,0	28,0	0,4	5,0	0,4
80	150	D - 20	D - 5	25,0	36,0	0,4	6,0	0,4
150	400	D - 25	D - 6	32,0	46,0	0,4	8,5	0,4
400	600	D - 30	D - 8	36,0	50,0	0,4	10,0	0,4

* Extrusion gap values shown above are valid for a temperature of 70 °C, higher temperatures require lower values.

Ordering example

Profile

D x d/ d_1 x L/ L_1 [mm]

Sealing material / Energizer / Back-up rings

Piston seal K09-H

100 x 80/95 x 25/36

ECOPUR / SKF Ecorubber-1 / SKF Ecotal

Operating parameters

Material Seal	Energizer	Back-up rings ³⁾	Temperature		Speed ¹⁾	Pressure ²⁾
			from	to	max	max
			°C		m/s	bar (MPa)
■ ECOPUR	■ SKF Ecorubber-1	■ SKF Ecotal	-30	+100	0,3	1 500 (150)
■ ECOPUR	■ SKF Ecorubber-1	■ SKF Ecomid	-30	+100	0,3	1 500 (150)
■ H-ECOPUR	■ SKF Ecorubber-1	■ SKF Ecotal	-30	+100	0,3	1 500 (150)
■ H-ECOPUR	■ SKF Ecorubber-1	■ SKF Ecomid	-30	+100	0,3	1 500 (150)
■ S-ECOPUR	■ SKF Ecorubber-1	■ SKF Ecotal	-30	+100	0,3	1 500 (150)
■ S-ECOPUR	■ SKF Ecorubber-1	■ SKF Ecomid	-30	+100	0,3	1 500 (150)
■ T-ECOPUR	■ SKF Ecosil	■ SKF Ecotal	-60	+100	0,3	1 500 (150)
■ T-ECOPUR	■ SKF Ecosil	■ SKF Ecomid	-60	+100	0,3	1 500 (150)

IMPORTANT NOTE: The stated operating conditions represent general indications. It is recommended not to use all maximum values simultaneously.

¹⁾ Surface speed limit values are valid only in the presence of a lubrication film.

²⁾ Pressure ratings depend on the size of the extrusion gap.

³⁾ Size limitation D: Up to 260mm SKF Ecotal, from 260 – 400 mm SKF Ecotal or SKF Ecomid and above 400 mm SKF Ecomid.