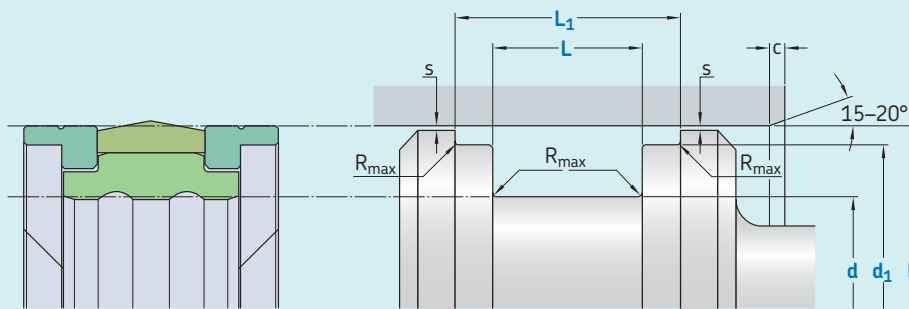


# K09-N



Ordering dimensions in **blue**

Surface roughness	$R_{tmax}$	$R_a$
	μm	
<b>Sliding surface</b>	≤ 2,5	0,05–0,2
<b>Bottom of groove</b>	≤ 6,3	≤ 1,6
<b>Groove face</b>	≤ 15	≤ 3

Bearing area: 50–95% and a cutting depth of 0,5  $R_z$  based on  $C_{ref} = 0\%$

### Standard dimensions

D	H9	d	$d_1$	L	$L_1$	$R_{max}$	c	$s^*$
over	incl.	h9	h8	+ 0,2				400 bar
mm								
<b>20</b>	<b>50</b>	D – 10	D – 3	12,5	20,5	0,4	4,0	0,35
<b>50</b>	<b>80</b>	D – 15	D – 4	20,0	28,0	0,4	5,0	0,52
<b>80</b>	<b>150</b>	D – 20	D – 5	25,0	36,0	0,4	6,0	0,65
<b>150</b>	<b>400</b>	D – 25	D – 6	32,0	46,0	0,4	8,5	0,78
<b>400</b>	<b>600</b>	D – 30	D – 8	36,0	50,0	0,4	10,0	1,00

\* Extrusion gap values shown above are valid for a temperature of 70 °C, higher temperatures require lower values.

### Ordering example

Profile  
 D x d/ $d_1$  x L/ $L_1$  [mm]  
 Sealing material / Energizer / Backup ring

Piston seal K09-N  
**100 x 80/95 x 25/36**  
 ECOPUR / SKF Ecorubber-1 / SKF Ecotal

## Operating parameters

Material Seal	Energizer	Back-up ring <sup>3)</sup>	Temperature		Speed <sup>1)</sup>	Pressure <sup>2)</sup>
			from	to	max	max
			°C		m/s	bar (MPa)
■ ECOPUR	■ SKF Ecorubber-1	■ SKF Ecotal	-30	+100	0,5	400 (40)
■ ECOPUR	■ SKF Ecorubber-1	■ SKF Ecomid	-30	+100	0,5	400 (40)
■ H-ECOPUR	■ SKF Ecorubber-1	■ SKF Ecotal	-30	+100	0,5	400 (40)
■ H-ECOPUR	■ SKF Ecorubber-1	■ SKF Ecomid	-30	+100	0,5	400 (40)
■ S-ECOPUR	■ SKF Ecorubber-1	■ SKF Ecotal	-30	+100	0,5	400 (40)
■ S-ECOPUR	■ SKF Ecorubber-1	■ SKF Ecomid	-30	+100	0,5	400 (40)
■ T-ECOPUR	■ SKF Ecosil	■ SKF Ecotal	-60	+100	0,5	400 (40)
■ T-ECOPUR	■ SKF Ecosil	■ SKF Ecomid	-60	+100	0,5	400 (40)

IMPORTANT NOTE: The stated operating conditions represent general indications. It is recommended not to use all maximum values simultaneously.

<sup>1)</sup> Surface speed limit values are valid only in the presence of a lubrication film.

<sup>2)</sup> Pressure ratings depend on the size of the extrusion gap.

<sup>3)</sup> Size limitation D: Up to 260 mm SKF Ecotal, from 260 – 400 mm SKF Ecotal or SKF Ecomid and above 400 mm SKF Ecomid.