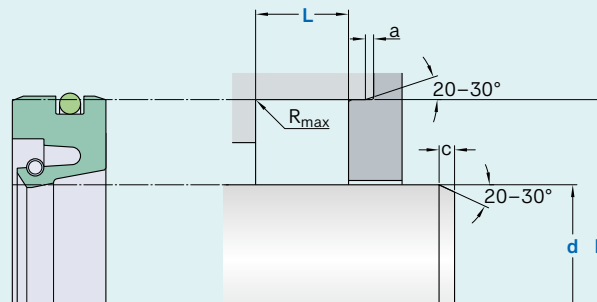


R01-F



Ordering dimensions in **blue**

Surface roughness	R_{tmax}	R_a
	μm	
Sliding surface	≤ 2	0,05–0,2
Bottom of groove	$\leq 6,3$	$\leq 1,6$
Groove face	≤ 15	≤ 3

Hardness: On the surface min 55 HRC, hardened depth > 0,3 mm.
 Bearing area: 50–95% and a cutting depth of 0,5 R_z based on $C_{ref} = 0\%$

Standard dimensions

d	d	D	L	c	a	R_{max}		
h11	h11	H8	-0,1					
Rotating application		Pivoting application						
over	incl.	over	incl.					
mm								
15	66	15	33	d + 12	7,0	3,0	1,25	0,4
66	110	33	55	d + 16	9,0	3,5	1,50	0,4
110	280	55	140	d + 20	10,0	5,0	2,00	0,4
280	400	140	200	d + 25	12,5	6,5	2,50	0,8
400	600	200	400	d + 30	15,0	7,5	3,00	0,8
		400	600	d + 40	20,0	9,0	3,50	0,8

Ordering example

Profile
 d x D x L [mm]
 Sealing material / O-Ring / Spring

Rotary seal R01-F
 100 x 120 x 10
 SKF Ecoflon 4 / NBR 70 / 1.4310

Operating parameters

Material Seal	O-Ring	Spring	Temperature		Speed ¹⁾	Pressure
			from	to	max	max
			°C		m/s	bar (MPa)
■ SKF Ecoflon 4	NBR 70	1.4310	-30	+100	10	15 (1,5)
■ SKF Ecoflon 4	FPM 75	1.4310	-20	+200	10	15 (1,5)

IMPORTANT NOTE: The stated operating conditions represent general indications. It is recommended not to use all maximum values simultaneously.

¹⁾ Surface speed limit values are valid only in the presence of a lubrication film.

