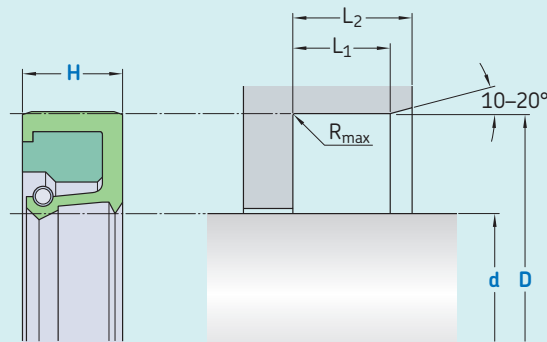


R02-R



Ordering dimensions in **blue**

Surface roughness	R_{tmax}	R_a
	μm	
Sliding surface	$\leq 2,5$	0,1–0,5
Bottom of groove	$\leq 6,3$	$\leq 1,6$
Groove face	≤ 15	≤ 3

Hardness: Min 45 HRC (55 HRC recommended), hardened depth > 0,3 mm.
 Bearing area: 50–95% and a cutting depth of 0,5 R_z based on $C_{ref} = 0\%$

Standard dimensions

d	D	H	L_1	L_2	R_{max}	
h11 over	H8					
	incl.					
mm						
15	60	d + 12	7,0	5,95	7,3	0,4
60	140	d + 15	8,0	6,80	8,3	0,4
140	300	d + 20	10,0	8,50	10,3	0,4
300	500	d + 30	12,0	10,30	12,3	0,8
500	800	d + 40	20,0	17,00	20,3	0,8
800		d + 50	22,0	18,70	22,3	0,8

Ordering example

Profile
 d x D x H [mm]
 Sealing material / Clamping ring / Spring

Rotary seal R02-R
 100 x 115 x 8
 SKF Ecorubber-1 / SKF Ecotal / 1.4310

Operating parameters

Material Seal	Clamping ring ⁴⁾	Spring	Temperature		Speed ^{1) 2) 3)}	Pressure
			from	to	max	max
			°C		m/s	bar (MPa)
■ SKF Ecorubber-1	■ SKF Ecotal	1.4310	0	+80	10	0,2 (0,02)
■ SKF Ecorubber-1	■ SKF Ecomid	1.4310	0	+80	10	0,2 (0,02)
■ SKF Ecorubber-1	■ Metal	1.4310	-30	+100	10	0,2 (0,02)
■ SKF Ecorubber-H	■ SKF Ecotal	1.4310	0	+80	10	0,2 (0,02)
■ SKF Ecorubber-H	■ SKF Ecomid	1.4310	0	+80	10	0,2 (0,02)
■ SKF Ecorubber-H	■ Metal	1.4310	-25	+150	10	0,2 (0,02)
■ SKF Ecorubber-2	■ SKF Ecotal	1.4310	0	+80	15	0,2 (0,02)
■ SKF Ecorubber-2	■ SKF Ecomid	1.4310	0	+80	15	0,2 (0,02)
■ SKF Ecorubber-2	■ Metal	1.4310	-20	+200	15	0,2 (0,02)
■ SKF Ecorubber-3	■ SKF Ecotal	1.4310	0	+80	10	0,2 (0,02)
■ SKF Ecorubber-3	■ SKF Ecomid	1.4310	0	+80	10	0,2 (0,02)
■ SKF Ecorubber-3	■ Metal	1.4310	-50	+150	10	0,2 (0,02)
■ SKF Ecoflas	■ SKF Ecotal	1.4310	0	+80	10	0,2 (0,02)
■ SKF Ecoflas	■ SKF Ecomid	1.4310	0	+80	10	0,2 (0,02)
■ SKF Ecoflas	■ Metal	1.4310	-10	+200	10	0,2 (0,02)
■ SKF Ecosil	■ SKF Ecotal	1.4310	0	+80	5	0,2 (0,02)
■ SKF Ecosil	■ SKF Ecomid	1.4310	0	+80	5	0,2 (0,02)
■ SKF Ecosil	■ Metal	1.4310	-60	+200	5	0,2 (0,02)

IMPORTANT NOTE: The stated operating conditions represent general indications. It is recommended not to use all maximum values simultaneously.

¹⁾ Surface speed limit values are valid only in the presence of a lubrication film.

²⁾ Depending on shaft diameter

³⁾ Half speed value for greased applications.

⁴⁾ Size limitation D: Up to 260 mm SKF Ecotal, from 260 – 400 mm SKF Ecotal or SKF Ecomid and above 400 mm SKF Ecomid.