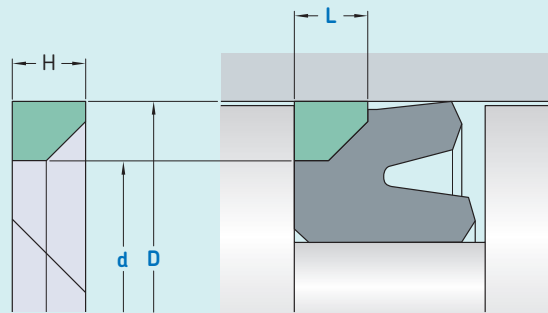


# ST10



Ordering dimensions in **blue**

Sealing material	TPU / Elastomers / PTFE	
	$R_{tmax}$	$R_a$
Surface roughness	$\mu\text{m}$	
<b>Sliding surface</b>	$\leq 2,5$	0,05–0,2
<b>Bottom of groove</b>	$\leq 6,3$	$\leq 1,6$
<b>Groove face</b>	$\leq 15$	$\leq 3$

Bearing area: 50–95% and a cutting depth of 0,5  $R_z$  based on  $C_{ref} = 0\%$

### Standard dimensions

Minimum nominal inside diameter  $d \geq 4,5$  mm.

Profile size, surface data and tolerances are the result of a combination of the relevant application specific sealing material. Standard version: cutting gap 0, cut 45°.

### Ordering example

Profile  
D x d x L [mm]  
Back-up ring

Back-up ring ST10  
100 x 85 x 10  
SKF Ecotal

## Operating parameters

Material Back-up ring <sup>1)</sup>	Temperature	
	from	to
	°C	
■ SKF Ecoflon 2	-200	+200
■ SKF Ecotal	-50	+100
■ SKF Ecomid	-40	+110
■ SKF Ecopaek	-100	+260

IMPORTANT NOTE: The stated operating conditions represent general indications. It is recommended not to use all maximum values simultaneously.

<sup>1)</sup> Size limitation D: Up to 260 mm SKF Ecotal, from 260 – 400 mm SKF Ecotal or SKF Ecomid and above 400 mm SKF Ecomid.

