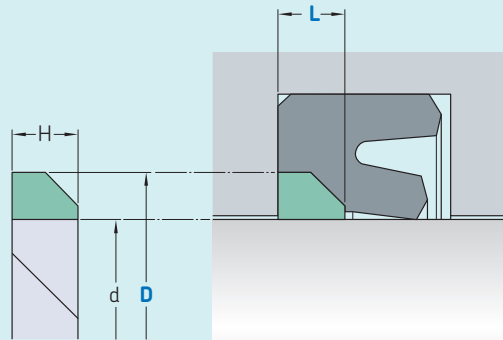


ST11



Ordering dimensions in **blue**

Sealing material Surface roughness	TPU / Elastomers		PTFE	
	R_{tmax}	R_a	R_{tmax}	R_a
	μm			
Sliding surface	$\leq 2,5$	$0,05-0,3$	≤ 2	$0,05-0,2$
Bottom of groove	$\leq 6,3$	$\leq 1,6$	$\leq 6,3$	$\leq 1,6$
Groove face	≤ 15	≤ 3	≤ 15	≤ 3

Bearing area: 50–95% and a cutting depth of 0,5 R_z based on $C_{ref} = 0\%$

Standard dimensions

Minimum nominal inside diameter $d \geq 4,5$ mm.

Profile size, surface data and tolerances are the result of a combination of the relevant application specific sealing material. Standard version: cutting gap 0, cut 45°.

Ordering example

Profile
D x L [mm]
Back-up ring

Back-up ring **ST11**
120 x 13
SKF Ecotal

Operating parameters

Material Back-up ring ¹⁾	Temperature	
	from	to
	°C	
■ SKF Ecoflon 2	-200	+260
■ SKF Ecotal	-50	+100
■ SKF Ecomid	-40	+110
■ SKF Ecopaek	-100	+260

IMPORTANT NOTE: The stated operating conditions represent general indications. It is recommended not to use all maximum values simultaneously.

¹⁾ Size limitation D: Up to 260 mm SKF Ecotal, from 260 – 400 mm SKF Ecotal or SKF Ecomid and above 400 mm SKF Ecomid.