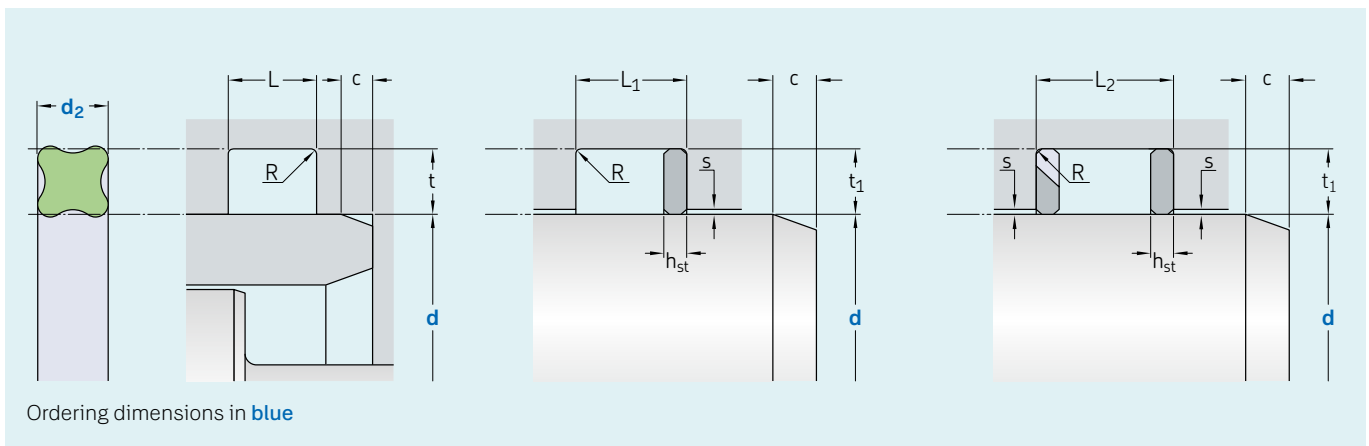


R16



Ordering dimensions in blue

Pressure Surface roughness	Constant		Pulsating	
	R_{tmax}	R_a	R_{tmax}	R_a
	μm		$\mu\text{m m}$	
Sliding surface¹⁾	6,3	1,6	3,2	0,8
Bottom of groove²⁾	12,5	3,2	6,3	1,6
Groove face	12,5	3,2	12,5	3,2

¹⁾ R_{tmax} / R_a for dynamic application: 1,6 $\mu\text{m} / 0,4 \mu\text{m}$
²⁾ R_{tmax} / R_a for dynamic application: 6,3 $\mu\text{m} / 1,6 \mu\text{m}$
 Bearing area: 50–95% and a cutting depth of 0,5 R_z based on $C_{ref} = 0\%$

Standard dimensions											
d_2	AS	ISO	$t^3)$	L	$t_1^4)$	L_1	L_2	R	h_{st}	c	s
568A ¹⁾		3601 ²⁾									
mm											
2,62	2,65	2,25	3	2,35	4,4	5,8	0,3	1,4	3,5	0,08	
3,53	3,55	3,10	4	3,21	5,4	6,8	0,4	1,4	4,0	0,08	
5,33	5,3	4,75	6	4,89	7,7	9,4	0,4	1,7	5,0	0,10	
6,99	7	6,20	8	6,40	10,5	13,0	0,6	2,5	6,0	0,10	

¹⁾ American standard
²⁾ DIN 3771
³⁾ Static applications
⁴⁾ Dynamic applications

Ordering example

Profile
 $d \times d_2$ [mm]
 Sealing material

Rotary seal R16
 100 x 3,55
 SKF Ecorubber-1

Operating parameters

Material Seal	Temperature		Speed	Pressure
	from	to	max	max
	°C		m/s	bar (MPa)
■ ECOPUR	-30	+110		400 (40)
■ ECOPUR LD	-35	+110		400 (40)
■ G-ECOPUR	-30	+110		400 (40)
■ H-ECOPUR	-20	+110		400 (40)
■ S-ECOPUR	-20	+110		400 (40)
■ T-ECOPUR	-50	+110		400 (40)
■ SKF Ecorubber-1	-30	+100		50 (5)
■ SKF Ecorubber-H	-25	+150		50 (5)
■ SKF Ecorubber-2	-20	+200		50 (5)
■ SKF Ecorubber-3	-50	+150		50 (5)
■ SKF Ecoflas	-10	+200		50 (5)

IMPORTANT NOTE: The stated operating conditions represent general indications. It is recommended not to use all maximum values simultaneously.