

TKSA 11



Instructions for use
Bedienungsanleitung
Instrucciones de uso
Mode d'emploi

Manuale d'istruzioni
Instruções de uso
Инструкция по эксплуатации
使用说明书

English	2	English
Français	31	Français
Deutsch	59	Deutsch
Español	87	Español
Italiano	115	Italiano
Português	143	Português
中文	171	中文
Русский	199	Русский

Table of contents

EU Declaration of Conformity	3
UK Declaration of Conformity	4
Safety recommendations.....	5
1. Introduction	6
1.1 Shaft alignment overview.....	6
1.2 Principle of operation.....	7
1.3 Measurement method	8
2. The measuring unit.....	9
2.1 Description.....	9
2.2 Handling the measuring unit	10
2.3 Mount the V-brackets	11
2.4 Attaching the bar	12
2.5 Mount the measuring unit.....	12
2.6 Mounting directly on couplings.....	14
3. Using the App.....	15
3.1 Compatible display devices.....	15
3.2 Installing the app	15
3.3 Demo mode.....	16
3.4 Main menu.....	16
3.5 Settings	17
3.6 Select unit.....	17
3.7 Machine information	18
3.8 Sensor status	20
3.9 Measurements	21
3.10 "As found" measuring results	23
3.11 Shimming.....	24
3.12 Horizontal correction.....	24
3.13 Verify the alignment.....	25
3.14 "As corrected" measuring results	25
3.15 Report.....	26
4. Technical specifications.....	27

EU Declaration of Conformity

TKSA 11

We, SKF Maintenance Products, Meidoornkade 14, 3992 AE Houten, The Netherlands herewith declare under our sole responsibility that the products described in these instructions for use, are in accordance with the conditions of the following Directive(s):

RADIO EQUIPMENT DIRECTIVE 2014/53/EU

RoHS DIRECTIVE (EU) 2015/863

and are in conformity with the following standards:

EN 61010-1:2010

EN IEC 63000:2018: Technical documentation for the assessment of electrical and electronic products with respect to the restriction of hazardous substances.

Emissions and immunity:

EN 61326-1:2013 class B, group 1 equipment,
industrial immunity test requirements

EMC:

IEC 61000-4-3:2006 – Radiated Radio Frequency Fields

IEC 61000-4-2:2009 – ESD

EN 301 489-1 V2.1.1 – Electromagnetic compatibility and Radio spectrum Matters

EN 301 489-1 clause 9.2 – Radiated RF immunity (enclosure)

EN 301 489-17 v3.1.1

EN 300 328 v2.1.1

The enclosed device complies with Part 15 of the FCC Rules.

Contains FCC ID: QOQBLE112

Certification Number: IC: 5123A-BGTBLE112

Manufacturer's Name, Trade Name or Brand Name: bluegiga

Model Name: BLE112-A

Houten, The Netherlands, January 2024



Guillaume Dubois
Manager Quality and Compliance



UK Declaration of Conformity

TKSA 11

We, SKF Maintenance Products, Meidoornkade 14, 3992 AE Houten, The Netherlands herewith declare under our sole responsibility that the products described in these instructions for use, are in accordance with the conditions of the following Directive(s):

Radio Equipment Regulations 2017 (2017 No. 1206)

The Restriction of the Use of Certain Hazardous Substances in Electrical and Electronic Equipment Regulations 2012 (2012 No. 3032)

and are in conformity with the following standards: EN 61010-1:2010

EN IEC 63000:2018: Technical documentation for the assessment of electrical and electronic products with respect to the restriction of hazardous substances.

Emissions and immunity:

EN 61326-1:2013 class B, group 1 equipment,
industrial immunity test requirements

EMC:

IEC 61000-4-3:2006 – Radiated Radio Frequency Fields

IEC 61000-4-2:2009 – ESD

EN 301 489-1 V2.1.1 – Electromagnetic compatibility and Radio spectrum Matters

EN 301 489-1 clause 9.2 – Radiated RF immunity (enclosure)

EN 301 489-17 v3.1.1

EN 300 328 v2.1.1

The enclosed device complies with Part 15 of the FCC Rules.

Contains FCC ID: QQQBLE112

Certification Number: IC: 5123A-BGTBLE112

Manufacturer's Name, Trade Name or Brand Name: bluegiga

Model Name: BLE112-A

The person authorised to compile the technical documentation on behalf of the manufacturer is SKF (U.K.) Limited, 2 Canada Close, Banbury, Oxfordshire, OX16 2RT, GBR.

Houten, The Netherlands, January 2024



Guillaume Dubois
Manager Quality and Compliance





Safety recommendations

- The complete instructions for use are available on SKF.com and within the SKF TKSA 11 app.
- Read and follow all warnings in this document before handling and operating the equipment. You can be seriously injured, equipment and data can be damaged if you do not follow the safety warnings.
- Always read and follow the operating instructions.
- Dress properly. Do not wear loose clothing or jewellery. Keep your hair, clothing, and gloves away from moving parts.
- Do not overreach. Keep proper footing and balance at all times to enable better control of the device during unexpected situations.
- Use safety equipment. Non-skid safety shoes, hard hat or hearing protection must be used for appropriate conditions.
- Never work on energized equipment unless authorized by a responsible authority. Always turn off the power of the machine before you start.
- Do not expose the equipment to rough handling or impacts this will void the warranty.
- Avoid direct contact with water, wet surfaces, or condensing humidity.
- Do not attempt to open the device.
- Use only accessories that are recommended by SKF.
- Device service must be performed only by qualified SKF repair personnel.
- We recommend calibrating the tool every 2 years.



1. Introduction

1.1 Shaft alignment overview

Shaft misalignment is one of the most significant and most preventable contributors to premature machine failure. When a machine is placed in service with less than optimal shaft alignment, the following conditions are likely:

- Poor machine performance
- Increased power consumption
- Increased noise and vibration
- Premature bearing wear
- Accelerated deterioration of gaskets, packing, and mechanical seals
- Higher coupling wear rates
- Increased unplanned downtime

Proper alignment is achieved when the centrelines of each shaft are co-linear when the machine is under load and at normal operating temperatures. This is often referred to as shaft-to-shaft alignment. If the shafts of a machine train are not co-linear, when the machine is in operation, they are misaligned.

In essence, the objective is to have a straight line through the centres of all of the shafts of the machines.

The SKF Shaft Alignment Tool TKSA 11 is a wireless shaft alignment tool that allows an easy and accurate method for aligning the shafts of a driving machine (eg electric motor) and a driven machine (eg. pump).

1.2 Principle of operation

Two, non-contact, inductive proximity sensors measure the variation in distance between the sensors and the reference bar. The sensors are rigidly mounted in the measuring unit and are separated at a fixed distance. The measuring unit is firmly attached to the shaft at the movable machine side. The reference bar is firmly attached to the shaft at the stationary machine side by means of a magnetic support.

During the measuring procedure, measurements are taken in three positions, each separated by 90°, known as the 9, 12, and 3 o'clock measurements.

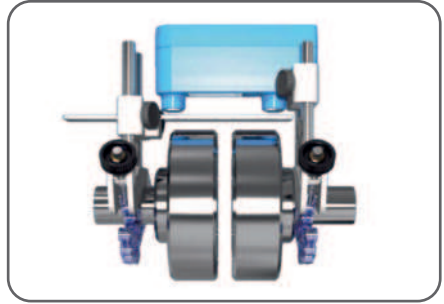
As the shafts are rotated through an arc, any parallel misalignment or angular misalignment causes the two sensors to measure the difference in their position relative to the reference bar.

Positioning information for the measuring unit is wirelessly communicated to the iOS device, which calculates the amount of shaft misalignment and advises corrective adjustments of the machine feet.

If the shafts of a machine train are not co-linear when the machine is in operation, they are by definition misaligned.

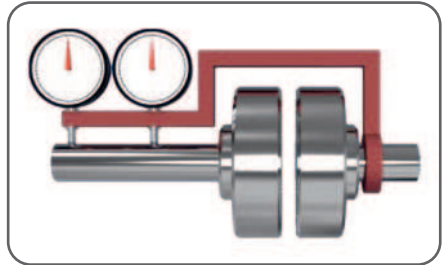
1.3 Measurement method

The TKSA 11 Measuring Unit measures two offsets at two separated points. The reference bar acts as an extension of one of the shafts. This uses the principle of the double radial method.



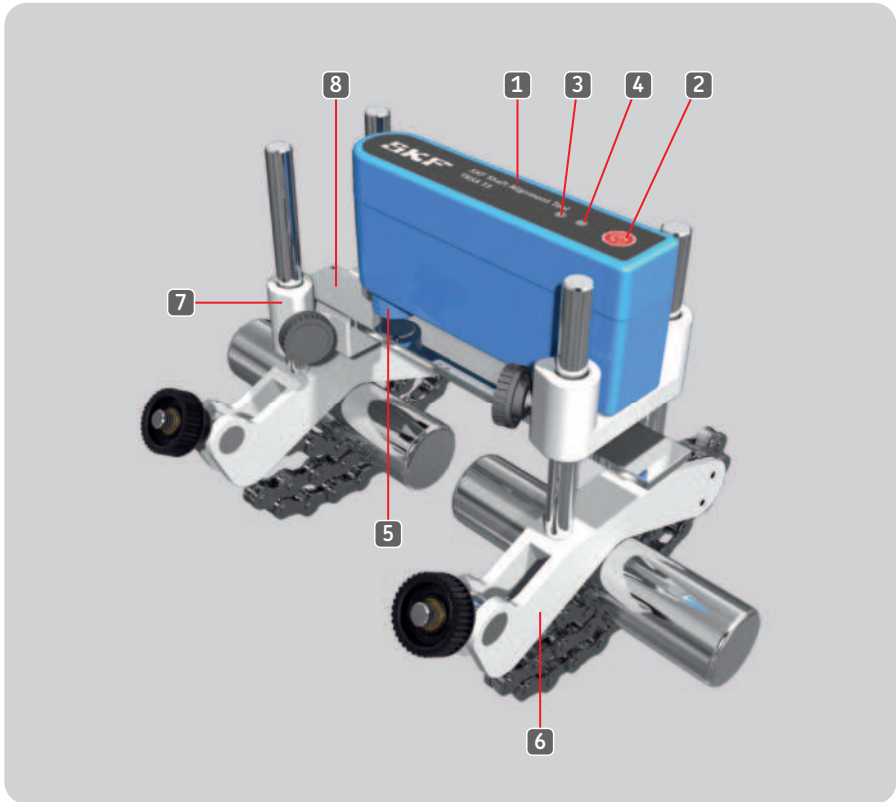
Double radial method

Measures two offsets at two points. Unlike the TKSA 11 there is usually not enough shaft exposed to be able to spread the indicators far enough.



2. The measuring unit

2.1 Description



1. Measuring unit	5. Two inductive proximity sensors
2. ON/OFF button	6. V-bracket with locking chain
3. Connection blue LED	7. Magnetic bar holder
4. Status red/green LED	8. Reference bar

The TKSA 11 measuring unit is equipped with a rechargeable battery, a charging port and a printed circuit board.

Note:

The Measuring Unit is designed to be rugged and contains NO moving parts.

2.2 Handling the measuring unit

- Switch On the unit by pushing the Power button at the top of the unit.
- Press the button for three seconds to turn off.
- The Status LED will turn green when the unit is switched on.
- The Connection LED will turn blue when the unit is connected via Bluetooth to the app.



Charge the measuring units when the app indicates low battery

- Plug the charger cable in the connector at the bottom of the unit, and the other end to a standard USB charger (1A max) or a computer USB port.
- The red LED will indicate charging when the unit is off.
- The LED will go off when the battery is completely charged (about 4 hours for an empty battery).

Note:

The unit will be charged at 90% in 2 hours with a 5W power adapter.



2.3 Mount the V-brackets

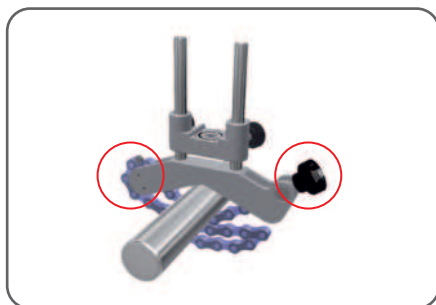
The shaft V-bracket with a rod mounted magnetic bar holder is attached to stationary machine shaft.

Note:

The stationary (S) side is the side of the machine which will not be adjusted. This is usually the driven machine, eg pump.



For shafts with diameter < 40 mm (< 1.5 ") hook the chain onto the anchor in the V-bracket from the inside. For larger diameters hook the chain from the outside. Remove the slack of the chain and tighten it firmly with the tensioning knob.



Attach the other shaft bracket to the movable machine shaft usually the driver machine eg electric motor. Try to keep a short distance between the shaft brackets.



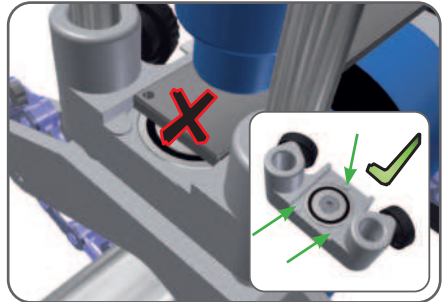
2.4 Attaching the bar

On the V-bracket reference bar holder, place the shortest bar that still spans between the shaft brackets. Adjust the position on the rods to a low position. The bar must not touch any other part than the bar bracket during rotation of the shaft. Tighten the V-bracket in place with the two locking knobs.



Important:

The Reference bar holder has three resting surfaces beside the magnet. The bar has to cover **all three resting surfaces** for a safe mounting and accurate measurement.



Note on reference bar play:

The reference bar can be moved perpendicularly to the measurement direction. The flatness tolerances of the resting surfaces helps ensure a sufficient accuracy.

2.5 Mount the measuring unit

Mount the Measuring Unit on the rods at the moveable side.

Adjust the gap between the inductive proximity sensors and the reference bar to approximately 3mm ($\frac{1}{8}$ in).
“Sensor status” in the app indicates the correct distance.



Mounting tip:

All reference bars have a thickness of 3 mm (0.12 in) and can be used as a feeler gauge. Hold a second reference bar on top of the first. Adjust the measuring unit on the rods so the sensor touches the second bar. Secure the position with a locking knob, remove the second "feeler gauge" bar and firmly tighten the two locking knobs.



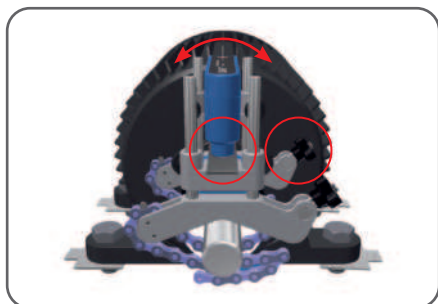
Line up the shaft brackets and tighten them firmly with the tensioning knobs.

Mounting tip:

Align the sensors in the centre of the bar.

Measuring tip:

Make sure the measuring unit and the reference bar remain aligned during the measurements as shown in this image.

**Note:**

Make sure the reference bar covers the two inductive proximity sensors.

2.6 Mounting directly on couplings

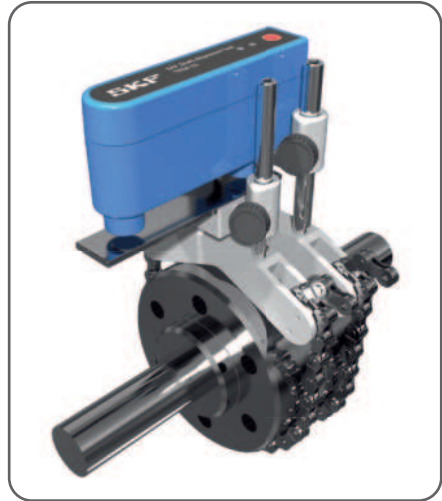
For couplings with a large variation in the shaft and the coupling diameter it might not be possible to mount the system on the shafts.

In this case mount the V-brackets directly on the coupling. The system will not lose accuracy even with a short distance between the shaft brackets.

(Here you can see the chains hooked from the outside).

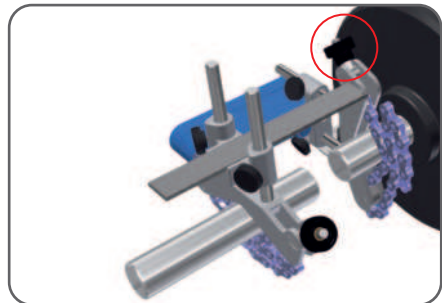
Mounting Accessories:

V-Brackets with longer rods (120 mm plus 80 mm) as well as extensions chains are available as accessories.



Mounting tip:

Normally, the bar passes through the rods at both V-brackets. When measuring uncoupled machines, ensure that the bar ends before the shaft bracket. This will make it possible to turn one shaft at a time.



3. Using the App

3.1 Compatible display devices

- iPad Mini recommended
- iPad, iPod Touch, iPhone SE, Galaxy or above (all not included)

3.2 Installing the app

1. Turn on Wi-Fi and connect to an internet network
2. Tap the App Store icon (iOS)



or Google Play Store icon (Android)



3. Tap the search area
4. Enter "SKF TKSA 11"
5. Select the app you want to install
6. Tap "GET" (iOS only) and then "INSTALL"

3.3 Demo mode

The App features a Demo Mode which allows most functionalities to be used without the need of a measuring unit.

Demo mode is available from the Settings screen and from the select unit screen whenever no measuring unit is connected.

3.4 Main menu

a. New alignment

Click on the plus sign (“+”) in the centre to start a new alignment.

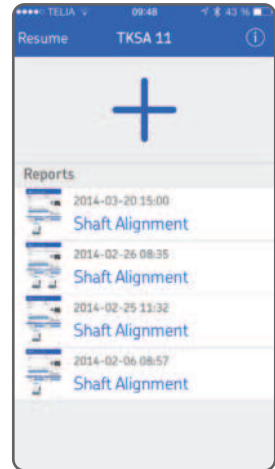
If a current alignment is in progress you will be asked if you want to resume it or start a new one.

b. Resume

Continue with the previously initiated alignment.

c. “i” information menu

Access the “settings”, “Help” and “Legal” information menus.



d. Reports

Previously created reports are shown as a list with the latest report created on top.

Tapping a report will open it for viewing, editing, printing and mailing.

Delete a report by swiping from the right to the left on the report line. Tap the red button “Delete”.



3.5 Settings

a. Company and operator

Add your company name and operator name. These will appear in the report.

b. Company logo

Add your company logo to the report by taking a picture or selecting one from the photo album on your operating device.

c. TKSA 11 hardware

Tap to select a measuring unit.

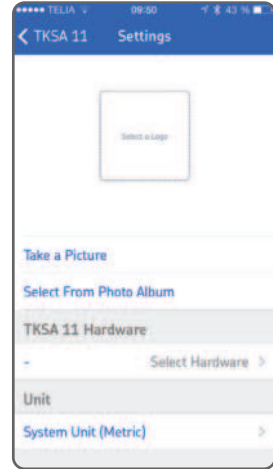
Tap cancel to remove a connected measuring unit.

If a measuring unit is connected, its serial number will be shown.

It is also possible to choose for the demo mode.

d. Unit

The displayed units are normally based on the system units, but it is also possible to manually select metric or imperial units.



3.6 Select unit

The Bluetooth wireless communication establishes a connection between the iPod/iPhone or iPad and the TKSA 11 unit.

When no unit is connected to your device, the app will prompt you to select a TKSA measuring unit or choose for the demo mode.

Tap the line with "TKSA 11 – Serial number" to select and connect the measuring unit to the app.

Note:

Do not forget to switch on the TKSA 11 Measuring unit. Make sure Bluetooth is enabled on your operating device.



3.7 Machine information

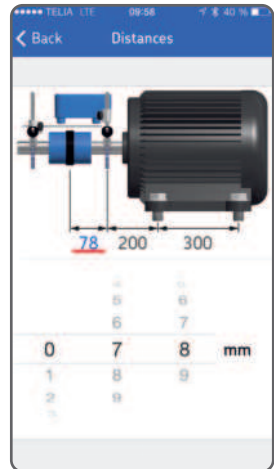
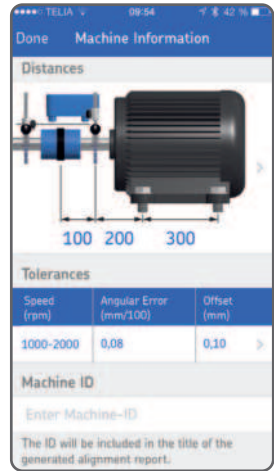
a. Distances

Tap the machine image and enter the three machine dimensions as shown.

Tap on the measurement to select and specify new distance measurements using the scroll wheel. The distances entered from the previous alignment will be the default.

Since the distance between the sensors is fixed only three distances must be specified.

1. Measure and enter the distance between the centre of the coupling and the centre of the rods on the movable side.
2. Measure and enter the distance between the rods of the movable side and the front feet (centre of foot).
3. Measure and enter the distance between the front and back feet (centre of feet).



b. Tolerances

Select the tolerances for the alignment. The built-in tolerance table is based on the speed of the machine being aligned.

Note:

Tolerances are available in metric or imperial units.

c. Machine ID

Enter a machine name which will be shown in the report (Optional).

d. Photo

Add a picture of your machine for the report (Optional).

e. Soft foot

A machine has a soft foot condition when it does not rest equally on all its feet. This is similar to a chair rocking on three feet.

The presence of a soft foot condition can make the process of aligning more difficult. If you encounter issues with your alignment, check for a soft foot condition and correct it when found.

Click on the Soft Foot line to see recommendations on how to measure and correct a soft foot condition.

Speed (rpm)	Angular Error (mm/100)	Offset (mm)
1000-2000	0,08	0,10 ✓
2000-3000	0,07	0,07
3000-4000	0,06	0,04
4000-5000	0,05	0,03
5000-6000	0,04	<0,03

3.8 Sensor status

The Sensor status screen is shown only when the gap between the inductive proximity sensors and the reference bar is not within the recommended range of 3 ± 0.5 mm (0.12 in ± 0.02 in) or when the battery level of the measuring unit is below 10%.

a. Connected and serial number

Indicate if a TKSA 11 measuring unit is connected and shows its serial number.

b. Battery level

Indicates the charge level for the internal battery. A warning is displayed when below 10%.

c. Probe distances (mm or mils)

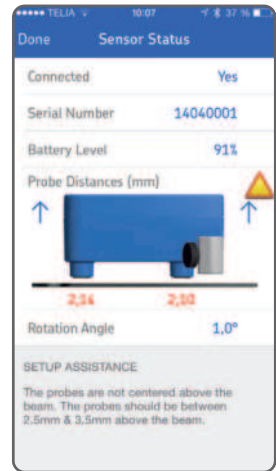
In order to obtain the largest possible range, it is advisable to start the measurement at $3\text{mm} \pm 0.5$ mm (120 mils ± 20 mils) distance between the sensors and reference bar. Values displayed in red are not within the recommended range. The two arrows show how to adjust the measuring unit in the correct direction.

Note:

The yellow warning sign indicates that at least one of the distances is not within the advised range.

Note:

The red "Stop" sign indicates that the sensors are too far or too close to the reference bar to get a reading.



Setup assistance

Indicates what caused the warning or stop, and gives clues on how to fix the problem.

d. Rotation angle

The rotational angle for the unit is displayed and can be used for precise positioning.

3.9 Measurements

The analogy of a clock face is used to describe the different measurement positions. The first position for measurement is the 9 o'clock position, when looking from behind the moveable machine.

Measurements are to be taken successively in three different positions (9-12-3).

Note:

Do not move or touch the measuring unit or the reference bar bracket or their rods and do not slide the bar on its bracket during the measurement.

Do not use the measuring equipment as a handle to turn the shafts.

Position 9. (90°)



Position 12. (0°)



Position 3. (-90°)



a. Measuring procedure

The screen shows the measuring unit viewed from the movable machine.

A triangular symbol will indicate the required position of the measuring unit during each step.

1. Turn the shafts to the green outlined triangle at the 9 o'clock position.
2. When positioned within $\pm 5^\circ$ the symbol changes to a filled green triangle and the record button becomes green.
3. Tap "Record"
4. Turn the shafts to the green outlined triangle at the 12 o'clock position.
5. Tap "Record"
6. Turn the shafts to the green outlined triangle at the 3 o'clock position.
7. Tap "Record"

Note:

Leave the measuring unit in the 3 position for live horizontal corrections.



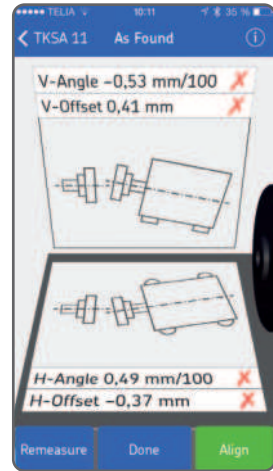
3.10 “As found” measuring results

The parallel “offset” and angular misalignment results for the vertical and horizontal axes or planes are shown in a combined view. Graphics show the position of the machine from a side and a top view.

The values are compared with the selected tolerances and the symbols in right indicate if the values are within tolerance.

Within tolerance: ✓

Out of tolerance: ✗



a. Remeasure

If required, select “Remeasure” to cancel the results and make a new set of measurements.

b. Done

Accept the results and go to the main menu. A report is created.

Note:

It is possible to resume the alignment after “Done” has been selected.

c. Align

Perform vertical and horizontal correction.

The green “Align” button indicates some values are out of tolerance and correction is needed.

3.11 Shimming

If the vertical results are out of tolerance, you need to correct the value by adding or removing shims. The system calculates the correction values at the feet. The arrows show if shims should be added or removed.

Shims values are fixed, not live.

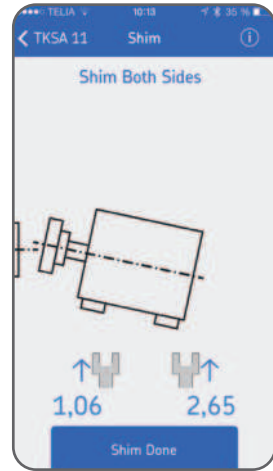
Click “Shim Done” once corrected.

Note:

The **pair of feet in the front and the rear** has to be shimmed. “Shim both sides”

Note:

If the “Shim Done” Button appears green, no shimming is required.



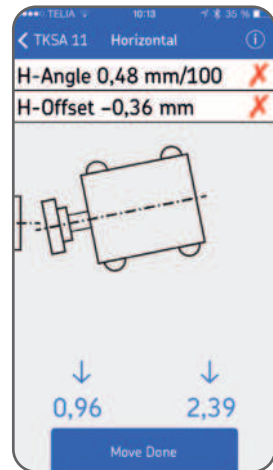
3.12 Horizontal correction

1. Make sure the unit is positioned at 3 o'clock. Based on the Offset and Angular misalignment values, the system calculates live correction values at the feet of the Movable machine.
2. Move the machine horizontally according to the arrows, the graphics as well as offset and angular misalignment values are continuously updated.

Note:

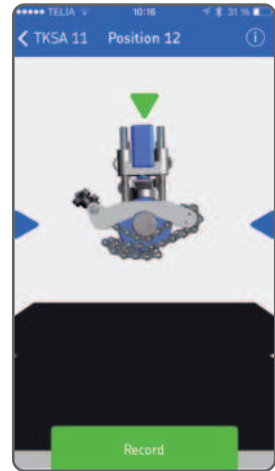
If the unit is out of the 3 o'clock position by more than $\pm 5^\circ$, the screen is dimmed and the correction values for the feet are blanked. Turn the shafts to the 3 o'clock position for live values. You can tap the “i” in the top right of the screen to see the current rotation angle and turn to -90° .

3. When satisfied with the alignment, tighten the bolts and watch the values to make sure they remain within tolerance.
4. When the machine is within tolerance the “Move Done” button appears green.



3.13 Verify the alignment

To verify the alignment the system makes you to perform the measuring procedure once again. This step is mandatory.

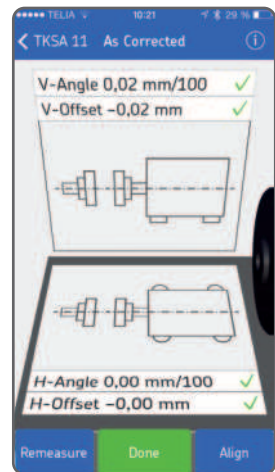


3.14 “As corrected” measuring results

When the “Done” button appears green, the machines are aligned within the chosen tolerances.

If this is not the case, tap “Align” to correct the misalignment.

Tap “Done” to exit to the main screen and automatically create a report.



3.15 Report

The reports are automatically generated as PDF files and displayed on the main menu as icons. Tapping a report line will open it. You can zoom in and out within the reports. Tap an open report for editing.



For copying, printing and mailing the report.

a. Edit Report

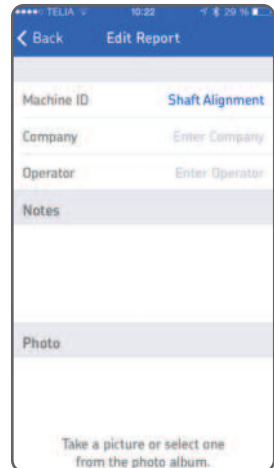
The report contains information from the measurements and can be completed with additional information. Tap the field you want to edit.

b. Notes

Type here additional comments.

c. Signature

Tap the Signature field and write your signature. If the report is changed, the signature is automatically removed.



4. Technical specifications

Technical data	
Designation	TKSA 11
Description	SKF Shaft Alignment Tool TKSA 11

Measuring unit (MU)	
Sensors type	2 × Inductive proximity sensors
Electronic inclinometers	Yes
Wireless communication	Bluetooth 4.0 low energy
Communication range	> 10 m (> 11 yds)
Housing material	PC/ABS plastic
Colours	SKF product blue
Dimensions	105 × 55 × 55 mm (4.1 × 2.2 × 2.2 in)
Weight	155 g (0.34 lbs)
Reference bars	3 × supplied 100 mm, 150 mm, 200 mm (3.9 in, 5.9 in, 7.9 in)
Reference bars material	Nickel plated steel

Performance	
System measuring distance	0 to 185 mm (0 to 7.3 in) between brackets
Sensors measuring range	5 mm (0.2 in)
Measuring errors	Less than 2%
Displayed resolution	10 µm (0.4 mils)
Inclinometer resolution	±0,1°
Inclinometer accuracy	±0,5°

Operating device	
Compatible operating devices	iPad Mini recommended iPad, iPod Touch, iPhone SE, Galaxy or above (all not included)
Operating device	TKSA 11: Not supplied.
Software / App update	Apple AppStore and Google Play Store
Operating system requirements	Apple iOS 9 or Android OS 10 (and above)

Shaft brackets	
Fixture	2 × V-brackets with chains
Material	Anodized aluminum
Shaft diameters	20 to 160 mm diameter (0.8 to 5.9 in)
Max. recom. coupling height	55 mm (2.2 in) with standard 80 mm rods
Brackets V-base width	15 mm (0.6 in)
Chains length	480 mm (18.9 in) supplied (optional extension chains)
Rods	2 × 80 mm (3.1 in) rods per bracket

Features	
Alignment method	3 × measurements 9-12-3 o'clock alignment method
Vertical correction (shiming)	Yes
Live horizontal correction	Yes
Report	Automatic .pdf report
Digital camera	Yes, if available on operating device
Display orientation flip	Portrait mode only

Battery and power	
MU Battery	1 900 mAh rechargeable lithium polymer battery
MU Operation time	Up to 18 hours continuous operation
Power adapter	Charging via micro USB port (5V) Micro USB to USB charging cable provided Compatible with 5V USB chargers (not included)
System charging time	4 hours (with 1A supply), 90% in 2 hours

Size and weight	
Carrying case dimensions	360 × 110 × 260 mm (14.2 × 4.3 × 10.2 in)
Total weight (incl. case)	2,1 kg (4.6 lb)

Operating requirements	
Operating temperature	0 °C to +45 °C (32 to 113 °F)
Storage temperature	-20 °C to +70 °C (-4 °F to +158 °F)
Relative humidity	10% to 90% non condensing
IP rating	IP 54 for the measuring unit (IP 67 for the probes)

Case contents	
Calibration certificate	Supplied with 2 years validity
In the case	1 × TKSA 11 Measuring unit
	3 × Reference bars
	2 × Shaft brackets with chains
	1 × Micro USB to USB charging cable
	1 × 2 m metric and imperial measuring tape
	1 × Printed Certificate of Calibration and Conformance
	1 × Printed Quick Start Guide (English)
	1 × SKF carrying case

Accessories	
Designation	Description
TKSA 11-EBK	2 × Extendable brackets with 120 mm + 80 mm detachable rods (no chain supplied)
TKSA 51 accessories that are also compatible with the TKSA 11	
TKSA 51-EXT50	1 × 50mm (2 in) offset bracket with 2 × rods 80 mm (3.2 in)
TKSA 51-EXTCH	2 × Extension chains of 1 m (3.3 ft) for shaft up to 450 mm (17.7 ft) diam.
TKSA 51-ROD120	4 × threaded 120 mm (4.7 in) extension rods
TKSA 51-ROD80	4 × threaded 80 mm (3.2 in) extension rods
TKSA 51-SLDBK	1 × Sliding adjustable bracket (no rods) for use with shaft >30 mm or bore >120 mm
TKSA 51-SPDBK	1 × Spindle Bracket with 2 × rods 80 mm (3.2 in)

Spare parts	
Designation	Description
TKSA 11-MBH	1 × Magnetic bar holder
TKSA 11-RB	1 × Reference bars set (100 mm, 150 mm, 200 mm)
TKSA 11-VBK	1 × Standard chain bracket including 80 mm rods and 1x standard chain 480 mm
TDTC 1/B	General toolcase without inlay, size B
TKSA 51 spare parts that are also compatible with the TKSA 11	
TKSA 51-VBK	1 × Standard chain bracket incl. 80 mm (3.2 in) threaded rods & 1x standard chain 480 mm, incl. 4 × magnets

Table des matières

Déclaration de conformité CE	32
Recommandations de sécurité	33
1. Introduction	34
1.1 Présentation de l'alignement d'arbres	34
1.2 Principe de fonctionnement.....	35
1.3 Méthode de mesure	36
2. L'unité de mesure	37
2.1 Description.....	37
2.2 Utilisation de l'unité de mesure	38
2.3 Montage des supports en V	39
2.4 Fixation de la barre.....	40
2.5 Montage de l'unité de mesure	40
2.6 Montage direct sur les accouplements.....	42
3. Utilisation de l'application.....	43
3.1 Appareils d'affichage compatibles.....	43
3.2 Installation des applications	43
3.3 Mode démo (Démo en 3D)	44
3.4 Menu principal	44
3.5 « Settings » (Paramètres).....	45
3.6 « Select unit » (Sélectionner l'unité).....	45
3.7 « Machine information » (Informations sur la machine).....	46
3.8 « Sensor status » (État du capteur).....	48
3.9 Mesures.....	49
3.10 Résultats de mesure « As found » (Tel que trouvé).....	51
3.11 « Shimming » (Calage).....	52
3.12 Correction horizontale.....	52
3.13 Vérifier l'alignement.....	53
3.14 Résultats de mesure « As corrected » (Tel que corrigé).....	53
3.15 « Report » (Rapport).....	54
4. Spécifications techniques.....	55

Traduction extraite du mode d'emploi d'origine

Déclaration de conformité UE

TKSA 11

Nous, SKF Maintenance Products, Meidoornkade 14, 3992 AE Houten, Pays-Bas déclarons sous notre responsabilité que les produits décrits dans ces instructions d'utilisation sont conformes aux conditions de la ou des directive(s) :

DIRECTIVE DES ÉQUIPEMENTS RADIO 2014/53/EU

DIRECTIVE RoHS (EU) 2015/863

et sont en conformité avec les normes suivantes :

EN 61010-1:2010

EN IEC 63000:2018 : Documentation technique pour l'évaluation des produits électriques et électroniques par rapport à la restriction des substances dangereuses.

Emissions and immunity:

EN 61326-1:2013 Équipement de classe B, groupe 1 selon, industrial immunity test requirements

EMC:

IEC 61000-4-3:2006 – Radiated Radio Frequency Fields

IEC 61000-4-2:2009 – ESD

EN 301 489-1 V2.1.1 – Electromagnetic compatibility and Radio spectrum Matters

EN 301 489-1 clause 9.2 – Radiated RF immunity (enclosure)

EN 301 489-17 v3.1.1

EN 300 328 v2.1.1

L'appareil ci-joint est conforme aux réglementations FCC, partie 15.

Contient ID FCC : Q0QBLE112

Numéro de certification : IC : 5123A-BGTBLE112

Nom du fabricant, nom commercial ou nom de marque : bluegiga

Nom du modèle : BLE112-A

Houten, Pays-Bas, Janvier 2024



Guillaume Dubois
Responsable Qualité et Conformité





Recommandations de sécurité

- Le mode d'emploi complet est disponible sur le site SKF.com et dans l'application SKF TKSA 11.
- Lisez et respectez tous les avertissements indiqués dans ce document avant de manipuler l'équipement. Le non-respect des avertissements de sécurité risque d'entraîner des blessures graves, d'endommager l'équipement et de détériorer vos données.
- Lisez et respectez toujours le mode d'emploi.
- Portez des vêtements appropriés. Ne portez pas de vêtements ou bijoux lâches. Tenez vos cheveux, vêtements et gants à l'écart des pièces mobiles.
- Ne vous penchez pas excessivement. Maintenez toujours une position en bon équilibre afin de mieux contrôler l'appareil en cas de situation imprévue.
- Utilisez des équipements de sécurité. Des chaussures de sécurité non glissantes, un casque ou une protection auditive doivent être utilisés dans des conditions précises.
- Ne travaillez jamais sur des équipements sous tension sans avoir reçu l'autorisation de votre responsable. Coupez toujours l'alimentation de la machine avant de commencer.
- N'exposez pas l'équipement à une manipulation imprudente ou à des impacts ; ceci entraîne l'annulation de la garantie.
- Évitez tout contact direct avec de l'eau, des surfaces mouillées ou de l'humidité de condensation.
- Ne tentez pas d'ouvrir l'appareil.
- Utilisez uniquement des accessoires recommandés par SKF.
- L'entretien de l'appareil doit être réalisé par un personnel qualifié SKF.
- Nous vous recommandons d'étalonner l'outil tous les 2 ans.



1. Introduction

1.1 Présentation de l'alignement d'arbres

Le défaut d'alignement des arbres est l'une des causes de défaillances prématurées des machines. Lorsqu'une machine est mise en service avec des arbres mal alignés, les conditions suivantes risquent d'apparaître:

- Performances médiocres de la machine
- Augmentation de la consommation énergétique
- Augmentation du bruit et des vibrations
- Usure prématurée des roulements
- Détérioration accélérée des joints, garnitures et joints mécaniques
- Augmentation de l'usure des accouplements
- Augmentation des arrêts machines non planifiés

L'alignement est correct lorsque l'axe de chaque arbre est colinéaire quand la machine est chargée et à des températures de fonctionnement normales. Cette procédure est souvent appelée l'alignement arbre à arbre. Si les arbres d'un train de machine ne sont pas colinéaires lorsque la machine est en fonctionnement, ils sont donc désalignés.

En bref, l'enjeu est d'obtenir les centres d'arbres de machines formant une ligne droite.

Le SKF TKSA 11 est un outil précis d'alignement d'arbres sans fil permettant d'aligner facilement les arbres d'une machine entraînée (par exemple un moteur électrique) et d'une machine entraînée (par exemple une pompe).

1.2 Principe de fonctionnement

Deux capteurs inductifs de proximité sans contact mesurent les variations de distance entre les capteurs et la barre de référence. Les capteurs sont montés en position rigide dans l'unité de mesure et sont séparés à une distance fixe. L'unité de mesure est fermement fixée sur l'arbre du côté mobile de la machine. La barre de référence est solidement attachée à l'arbre du côté stationnaire de la machine à l'aide d'un support magnétique.

Pendant la procédure, des mesures sont réalisées dans trois positions (à intervalles de 90°), appelées 9, 12 et 3 heures.

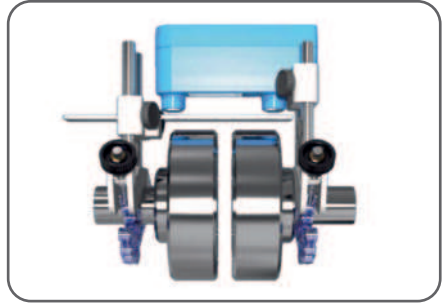
À mesure que les arbres tournent en effectuant un arc, les deux capteurs mesurent leur différence de position par rapport à la barre de référence selon le défaut d'alignement parallèle ou angulaire.

Les informations de positionnement pour l'unité de mesure sont transmises sans fil à l'appareil iOS, qui calcule le degré du défaut d'alignement de l'arbre tout en indiquant les corrections à réaliser aux pieds de la machine.

Si les arbres d'un train de machine ne sont pas colinéaires lorsque la machine est en fonctionnement, ils sont par définition en défaut d'alignement.

1.3 Méthode de mesure

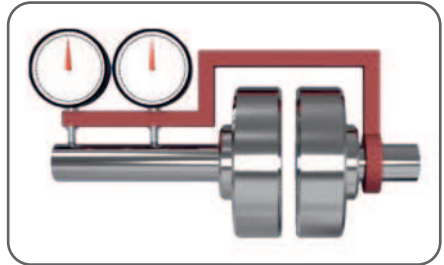
L'unité de mesure TKSA 11 mesure deux décalages au niveau de deux points séparés. La barre de référence joue le rôle de prolongement de l'un des arbres. Cette procédure utilise le principe de la méthode radiale double.



Méthode radiale double

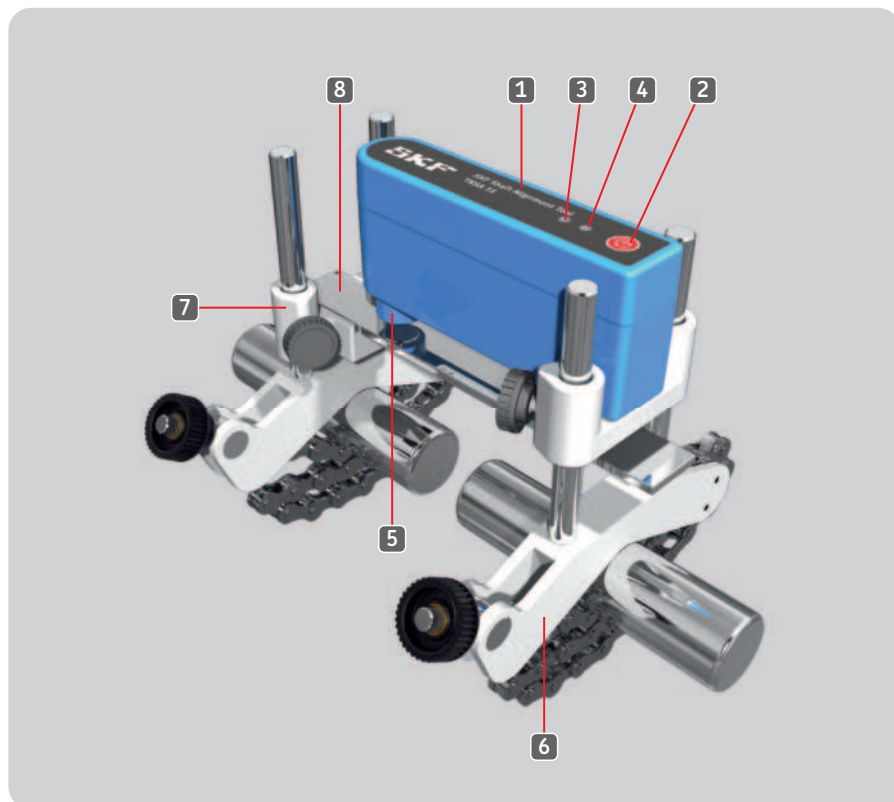
Mesure de deux décalages au niveau de deux points.

Contrairement au TKSA 11, la longueur d'arbre exposée n'est généralement pas suffisante pour éloigner les indicateurs d'une distance satisfaisante.



2. L'unité de mesure

2.1 Description



1. Unité de mesure	5. Deux capteurs inductifs de proximité
2. Bouton marche/arrêt	6. Support en V avec chaîne de blocage
3. Diode de connexion bleue	7. Support de barre magnétique
4. Diode d'état rouge/verte	8. Barre de référence

L'unité de mesure TKSA 11 est équipée d'une batterie rechargeable, d'un port de charge et d'une carte à circuit imprimé.

Remarque:

L'unité de mesure présente une conception robuste et ne contient AUCUNE pièce mobile.

2.2 Utilisation de l'unité de mesure

- Mettez l'unité en marche en appuyant sur le bouton de mise en marche, situé en haut de l'unité.
- Appuyez sur le bouton pendant trois secondes pour éteindre l'unité.
- La diode d'état passe au vert lorsque l'unité est en marche.
- La diode de connexion s'allume en bleu lorsque l'unité est connectée via Bluetooth à l'application.



Rechargez l'unité de mesure lorsque l'application indique un niveau faible de la batterie.

- Branchez le câble du chargeur dans le connecteur, en bas de l'unité, et branchez l'autre extrémité à un chargeur USB standard (max. 1 A) ou à un port USB sur ordinateur.
- La diode rouge indique le chargement lorsque l'unité est éteinte.
- La diode s'éteint lorsque la batterie est complètement chargée (environ 4 heures pour une batterie déchargée).

Remarque:

L'unité est chargée à 90% au bout de 2 heures avec un chargeur de 5 W.



2.3 Montage des supports en V

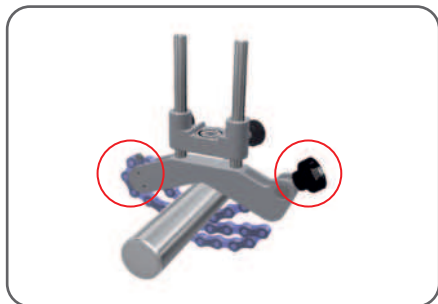
Le support d'arbre en V, intégrant la bielle avec support de barre magnétique, est fixé à l'arbre stationnaire de la machine.

Remarque:

Le côté stationnaire (S) est le côté de la machine qui ne sera pas ajusté. Il s'agit en général de la machine entraînée, par exemple la pompe.



Pour des diamètres d'arbres de diamètre < 40 mm, accrochez la chaîne sur l'ancrage du support en V depuis l'intérieur. Pour les diamètres supérieurs, accrochez la chaîne depuis l'extérieur. Éliminez tout jeu de la chaîne et tendez-la fermement à l'aide du bouton de tension.



Fixez l'autre support d'arbre à l'arbre de la machine mobile, en général la machine entraînante, par exemple le moteur électrique. Efforcez-vous de maintenir une distance courte entre les supports d'arbre.



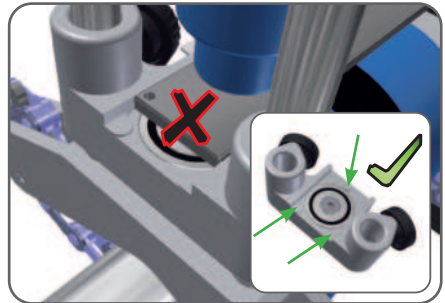
2.4 Fixation de la barre

Sur la barre de référence du support en V, placez la barre la plus courte dont la longueur suffit à couvrir les supports d'arbre. Ajustez la position sur les bielles à un niveau bas. La barre ne doit toucher que son support pendant la rotation de l'arbre. Serrez le support en V en place à l'aide des deux boutons de blocage.



Important:

Le support de la barre de **référence dispose de trois surfaces** de repos à côté de l'aimant. La barre doit recouvrir ces trois surfaces afin d'assurer un montage sûr et une mesure précise.



Remarque sur le jeu de la barre de référence:

La barre de référence peut être déplacée perpendiculairement au sens de la mesure. Les tolérances de planéité des surfaces de repos contribuent à garantir une précision suffisante.

2.5 Montage de l'unité de mesure

Montez l'unité de mesure sur les bielles du côté mobile.

Réglez le jeu entre les capteurs inductifs de proximité et la barre de référence sur environ 3 mm.

« Sensor status » (État du capteur) dans l'application indique la distance correcte.



Conseil de montage:

Toutes les barres de référence présentent une épaisseur de 3 mm et peuvent servir de lames calibrées. Tenez une deuxième barre de référence au-dessus de la première. Ajustez l'unité de mesure sur les bielles de manière à ce que le capteur touche la deuxième barre. Fixez en position à l'aide du bouton de blocage, retirez la deuxième barre servant de lames calibrées et serrez fermement les deux boutons de blocage.

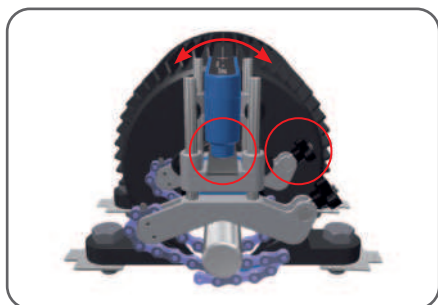
Alignez les supports d'arbre et serrez-les fermement à l'aide des boutons de tension.

Conseil de montage:

Alignez les capteurs au centre de la barre.

Conseil de mesure:

Veillez à ce que l'unité de mesure et la barre de référence restent alignées pendant les mesures, comme indiqué sur cette image.

**Remarque:**

Assurez-vous que la barre de référence couvre les deux capteurs inductifs de proximité.

2.6 Montage direct sur les accouplements

Pour les accouplements présentant une grande variation de diamètre d'accouplement et d'arbre, il se peut qu'il soit impossible de monter le système sur les arbres.

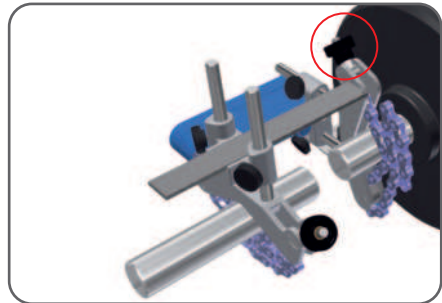
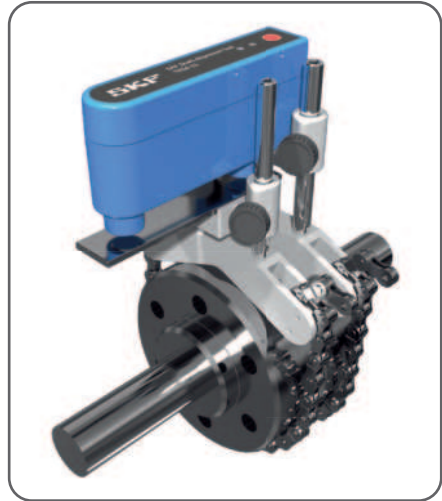
Dans ce cas, montez les supports en V directement sur l'accouplement. Le système sera aussi précis, même avec une courte distance entre les supports d'arbre. (Vous pouvez voir ici les chaînes accrochées depuis l'extérieur).

Accessoires de montage:

Des supports en V équipés de bielles plus longues (120 mm plus 80 mm) et des extensions de chaîne sont disponibles en options.

Conseil de montage:

La barre passe normalement à travers les bielles au niveau des deux supports en V. Lors de la mesure sur des machines non accouplées, veillez à ce que la barre prenne fin avant le support d'arbre. Ceci permet de tourner un arbre à la fois.



3. Utilisation de l'application

3.1 Appareils d'affichage compatibles

- iPad Mini recommandés
- iPad iPod Touch, iPhone SE, Galaxy ou ultérieur (tous les appareils ne sont pas inclus)

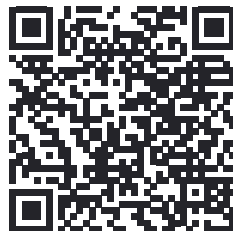
3.2 Installation des applications

1. Activez le Wi-Fi et connectez-vous à un réseau Internet

2. Appuyez sur l'icône App Store (iOS)



ou sur l'icône Google Play Store (Android)



3. Appuyez sur la zone de recherche

4. Saisissez « SKF TKSA 11 »

5. Sélectionnez l'application à installer

6. Appuyez sur « OBTENIR » (iOS uniquement) et sur « INSTALLER »

3.3 Mode démo (Démo en 3D)

L'application contient un mode démo en 3D permettant d'utiliser la plupart des fonctions sans disposer d'une unité de mesure.

Ce mode démo en 3D est disponible depuis l'écran « Settings » (Paramètres) et depuis l'écran « Select unit » (Sélectionner unité) même si aucune unité de mesure n'est connectée.

3.4 Menu principal

a. « New alignment » (Nouvel alignement)

Cliquez sur le signe plus (« + ») au centre pour démarrer un nouvel alignement.

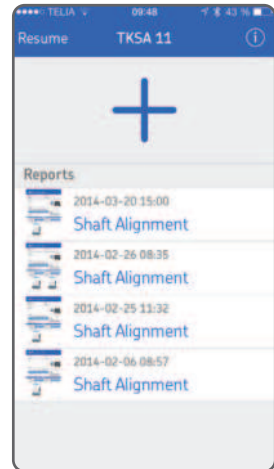
Si un alignement est en cours, vous devez choisir soit de le reprendre soit opter pour un nouvel alignement.

b. « Resume » (Reprendre)

Continuez l'alignement déjà lancé.

c. Menu d'informations « i »

Accédez aux menus d'informations « Settings » (Paramètres), « Help » (Aide) et « Legal information » (Informations légales).



d. « Reports » (Rapports)

Les rapports créés antérieurement sont montrés dans une liste, le rapport le plus récent est en première position.

Tapez sur un rapport si vous souhaitez l'ouvrir pour le consulter, le modifier, l'imprimer ou l'envoyer par e-mail.

Effacez un rapport en balayant de droite à gauche sur la ligne du rapport. Tapez sur le bouton rouge « Delete » (Supprimer).



3.5 « Settings » (Paramètres)

a. « Company » (Entreprise) et « Operator » (Opérateur)

Entrez le nom de votre entreprise et le nom de l'opérateur. Ils apparaîtront dans le rapport.

b. « Company logo » (Logo de l'entreprise)

Ajoutez le logo de votre entreprise au rapport en prenant une photo ou en en choisissant une dans l'album photos de votre appareil mobile.

c. « TKSA 11 hardware » (Matériel TKSA 11)

Tapez pour sélectionner une unité de mesure.

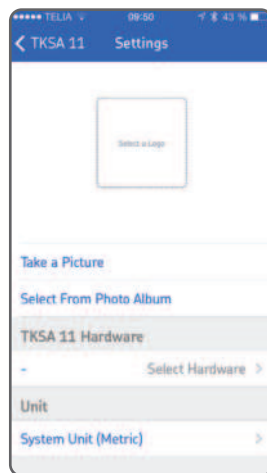
Tapez sur « Cancel » (Annuler) pour supprimer une unité de mesure connectée.

Si une unité de mesure est connectée, son numéro de série est affiché.

Il est également possible d'effectuer une sélection pour le mode démo en 3D.

d. « Unit » (Unité)

Les unités affichées sont normalement basées sur les unités du système, mais il est également possible de sélectionner manuellement les unités métriques ou impériales.



3.6 « Select unit » (Sélectionner l'unité)

La communication sans fil Bluetooth établit une connexion entre l'iPod/iPhone ou l'iPad et l'unité TKSA 11.

Si aucune unité n'est connectée à votre appareil, l'application vous demande de sélectionner une unité de mesure TKSA ou de choisir le mode démo en 3D.

Tapez sur la ligne indiquant « TKSA 11 – Serial number » (TKSA 11 – Numéro de série) pour sélectionner et connecter l'unité de mesure à l'application.

Remarque:

N'oubliez pas d'allumer l'unité de mesure TKSA 11.

Vérifiez que le Bluetooth soit activé sur votre appareil mobile.



3.7 « Machine information » (Informations sur la machine)

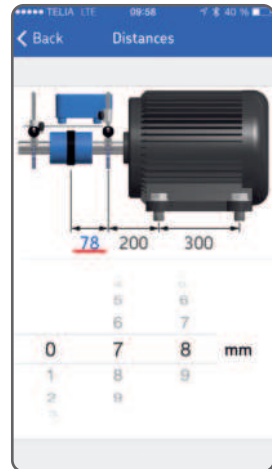
a. « Distances »

Tapez sur l'image de la machine et comme indiqué saisissez les trois dimensions de machine.

Tapez sur la mesure à sélectionner et indiquez les nouvelles mesures de distance à l'aide de la roue de navigation. Les distances saisies lors de l'alignement précédent seront les valeurs par défaut.

La distance entre les capteurs étant fixe, seules trois distances doivent être spécifiées.

1. Mesurez et entrez la distance entre le centre de l'accouplement et le centre des bielles du côté mobile.
2. Mesurez et entrez la distance entre les bielles du côté mobile et les pieds avant (centre du pied).
3. Mesurez et entrez la distance entre les pieds avant et arrière (centre des pieds).



b. « Tolérances » (Tolérances)

Sélectionnez les tolérances pour l'alignement. Le tableau de tolérances intégré est basé sur la vitesse de la machine devant être alignée.

Remarque:

Les tolérances sont disponibles en unités métriques et impériales.

c. « Machine ID » (ID machine)

Entrez un nom de machine, qui apparaîtra sur le rapport (en option).

d. « Photo »

Ajoutez une photo de votre machine pour le rapport (en option).

Speed (rpm)	Angular Error (mm/100)	Offset (mm)
1000-2000	0,08	0,10 ✓
2000-3000	0,07	0,07
3000-4000	0,06	0,04
4000-5000	0,05	0,03
5000-6000	0,04	<0,03

e. « Soft foot » (Pied mou)

Une machine présente un « pied mou » lorsqu'elle ne repose pas sur tous ces pieds. Cet état est similaire à une chaise bancale qui ne s'appuie que sur trois pieds.

Le processus d'alignement est plus difficile en présence d'un « pied mou ». Si vous rencontrez des problèmes lors de l'alignement, contrôlez si la machine présente un « pied mou » et remédiez à cette situation.

Cliquez sur la ligne « Soft Foot » pour suivre les recommandations de façon à mesurer et corriger l'état de « pied mou ».

3.8 « Sensor status » (État du capteur)

L'écran « Sensor status » apparaît si le jeu entre les capteurs inductifs de proximité et la barre de référence ne se trouve pas dans la plage recommandée de $3 \pm 0,5$ mm. Cet écran apparaît aussi si le niveau de la batterie de l'unité de mesure est inférieur à 10%.

a. « Connected » (Connecté) et « Serial number » (Numéro de série)

Indique si une unité de mesure TKSA 11 est connectée et montre son numéro de série.

b. « Battery level » (Niveau de la batterie)

Indique le niveau de charge de la batterie interne. Un avertissement est affiché lorsque le niveau est inférieur à 10%.

c. « Probe distances » (Distances de sonde) (mm ou mils)

Pour obtenir la plus grande portée possible, il est recommandé de démarrer la mesure avec une distance de $3 \text{ mm} \pm 0,5$ mm entre les capteurs et la barre de référence. Les valeurs affichées en rouge ne sont pas dans la plage recommandée. Les deux flèches indiquent comment ajuster l'unité de mesure dans le bon sens.



Remarque:

Un signe d'avertissement jaune indique qu'au moins une des distances n'est pas dans la plage recommandée.

Remarque:

Le signe « Stop » rouge indique que les capteurs sont trop loin ou trop près de la barre de référence pour obtenir une valeur.

« Setup assistance » (Assistance de configuration)

Indique la cause de l'avertissement ou de l'arrêt. Donne des conseils sur la résolution du problème.

d. « Rotation angle » (Angle de rotation)

L'angle de rotation de l'unité est affiché et peut être utilisé pour un positionnement précis.

3.9 Mesures

Le cadran d'une horloge est utilisé comme analogie pour décrire les différentes positions de mesure. La première position de mesure est la position 9 heures, vue depuis l'arrière de la machine mobile.

Les mesures doivent être prises successivement dans trois positions différentes (9-12-3).

Remarque:

Ne déplacez pas et ne touchez surtout pas l'unité de mesure, le support de la barre de référence ou les bielles. Ne faites pas glisser la barre sur son support pendant la mesure. N'utilisez pas l'équipement de mesure comme une poignée pour tourner les arbres.

Position 9. (90°)



Position 12. (0°)



Position 3. (-90°)



a. Procédure de mesure

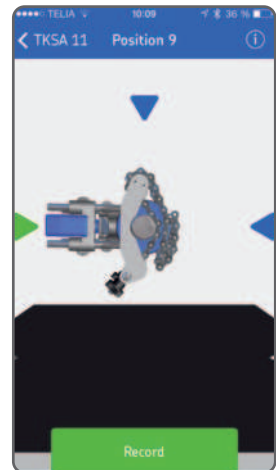
L'écran montre l'unité de mesure, vue depuis la machine mobile.

Un symbole triangulaire indique la position requise de l'unité de mesure à chaque étape.

1. Tournez les arbres vers le contour de triangle vert en position 9 heures.
2. Lorsque la position atteint $\pm 5^\circ$, le symbole change en un triangle vert plein et le bouton d'enregistrement passe au vert.
3. Tapez sur « Record » (Enregistrer).
4. Tournez les arbres vers le contour de triangle vert en position 12 heures.
5. Tapez sur « Record » (Enregistrer).
6. Tournez les arbres vers le contour de triangle vert en position 3 heures.
7. Tapez sur « Record » (Enregistrer).

Remarque:

Laissez l'unité de mesure en position 3 pour des corrections horizontales en direct.



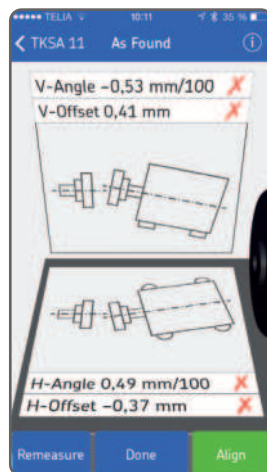
3.10 Résultats de mesure « As found » (Tel que trouvé)

Les résultats de défaut d'alignement angulaire et parallèle sur les plans vertical et horizontal sont montrés dans une vue combinée. Le graphique montre la position de la machine vue de côté et au-dessus.

Les valeurs sont comparées aux tolérances sélectionnées et les symboles à droite indiquent si elles sont dans la tolérance.

Dans la tolérance: ✓

Hors de la tolérance: ✗



a. « Remeasure » (Remesurer)

En cas de besoin, sélectionnez « Remeasure » (Remesurer) pour annuler les résultats et prendre de nouvelles mesures.

b. « Done » (Terminé)

Acceptez les résultats et allez au menu principal. Un rapport est créé.

Remarque:

Il est possible de reprendre l'alignement après avoir sélectionné « Done » (Terminé).

c. « Align » (Aligner)

Effectuez une correction verticale et horizontale.

Le bouton vert « Align » indique que certaines valeurs sont hors tolérance et qu'une correction est requise.

3.11 « Shimming » (Calage)

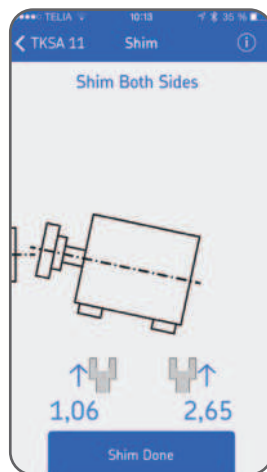
Si les résultats verticaux sont hors tolérance, vous devez corriger la valeur en ajoutant ou retirant des cales. Le système calcule les valeurs de correction au niveau des pieds. Les flèches indiquent si des cales doivent être ajoutées ou retirées. Les valeurs des cales sont figées. Cliquez sur « Shim Done » (Calage terminé), une fois la correction effectuée.

Remarque:

Des cales doivent être installées sur la **paire** de pieds à l'avant et à l'arrière. « Shim both sides » (Cales des deux côtés)

Remarque:

Si le bouton « Shim Done » (Calage terminé) apparaît en vert, aucun calage n'est requis.



3.12 Correction horizontale

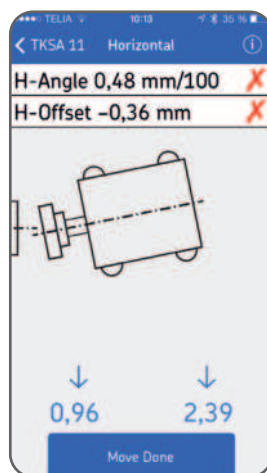
1. Vérifiez que l'unité est placée en position 3 heures. À partir des valeurs de décalage et de défaut d'alignement angulaire, le système calcule des valeurs de correction en direct au niveau des pieds de la machine mobile.
2. Déplacez la machine horizontalement selon les flèches; sur le graphique les valeurs de décalage et de défaut d'alignement angulaire sont actualisées en continu.

Remarque:

Si l'unité est à plus de $\pm 5^\circ$ hors de la position 3 heures, l'écran est assombri et les valeurs de correction pour les pieds sont effacées. Tournez les arbres sur la position 3 heures pour des valeurs en direct.

Vous pouvez taper sur le « i » en haut à droite de l'écran pour voir l'angle de rotation actuel et pivoter de -90° .

3. Lorsque vous êtes satisfait de l'alignement, serrez les boulons en observant les valeurs pour vous assurer qu'elles restent dans la tolérance.
4. Lorsque la machine est dans la tolérance, le bouton « Move Done » (Déplacement terminé) apparaît en vert.



3.13 Vérifier l'alignement

Pour vérifier l'alignement, le système vous invite à recommencer la procédure de mesure. Cette étape est obligatoire.

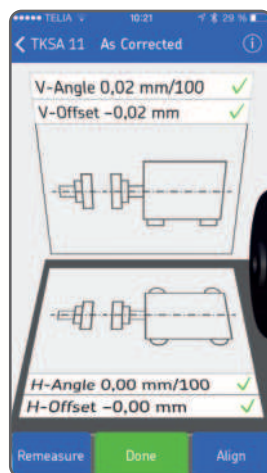


3.14 Résultats de mesure « As corrected » (Tel que corrigé)

Lorsque le bouton « Done » (Terminé) est vert, les machines sont alignées selon les tolérances choisies.

Si ce n'est pas le cas, tapez sur « Align » (Aligner) pour corriger le défaut d'alignement.

Tapez sur « Done » (Terminé) pour revenir à l'écran principal et créer automatiquement un rapport.



3.15 « Report » (Rapport)

Les rapports sont générés automatiquement au format PDF et sont affichés sur le menu principal en tant qu'icônes.

Tapez sur la ligne d'un rapport pour l'ouvrir.

Vous pouvez zoomer vers l'avant et vers l'arrière à l'intérieur des rapports.

Tapez sur un rapport pour le modifier.



Pour copier, imprimer et envoyer le rapport par e-mail.

a. « Edit Report » (Modifier le rapport)

Le rapport contient des informations obtenues lors des mesures et peut être complété par des informations supplémentaires. Tapez sur le champ que vous souhaitez modifier.

b. « Notes »

Ajoutez des commentaires ici.

c. « Signature »

Tapez sur le champ « Signature » et inscrivez votre signature. Si le rapport est modifié, la signature est automatiquement supprimée.



4. Spécifications techniques

Caractéristiques techniques	
Désignation	TKSA 11
Description	Outil d'alignement d'arbres SKF TKSA 11

Unité de mesure (UM)	
Types de capteurs	2 capteurs inductifs de proximité
Inclinomètres électroniques	Oui
Communication sans fil	Bluetooth 4.0 faible consommation
Portée de communication	> 10 m
Matériau	Plastique PC/ABS
Couleurs	Bleu produit SKF
Dimensions	105 × 55 × 55 mm
Poids	155 g
Barres de référence	3 barres fournies 100 mm, 150 mm, 200 mm
Matériau des barres de référence	Acier nickelé

Performances	
Distance de mesure du système	0 à 185 mm entre les supports
Portée de mesure des capteurs	5 mm
Erreurs de mesure	Moins de 2%
Résolution d'affichage	10 µm
Résolution de l'inclinomètre	±0,1°
Précision de l'inclinomètre	±0,5°

Appareils compatibles	
Appareils compatibles	iPad Mini recommandés, iPad iPod Touch, iPhone SE, Galaxy ou ultérieur (tous les appareils ne sont pas inclus)
Appareils compatibles	TKSA 11 : ligneur sans tablette
Mise à jour de l'application / logiciel	Apple AppStore et Google Play Store
Système d'exploitation requis	Apple iOS 9 ou Android OS 10 (et ultérieur)

Supports d'arbre	
Fixation	2 supports en V avec chaînes
Matériau	Aluminium anodisé
Diamètres d'arbre	20 à 160 mm
Hauteur d'accouplement max. recom.	55 mm avec des bielles standard de 80 mm
Largeur supports base en V	15 mm
Longueurs de chaîne	480 mm fournie (extension de chaînes en option)
Bielles	2 bielles de 80 mm par support

Caractéristiques	
Méthode d'alignement	3 mesures dans les positions 9, 12 et 3 heures
Correction verticale (calage)	Oui
Correction horizontale en direct	Oui
Rapport	Rapport automatique au format PDF
Appareil photo numérique	Oui, si disponible sur l'appareil mobile
Basculement de l'orientation de l'écran	Mode portrait uniquement

Batterie et alimentation	
Batterie UM	Batterie lithium polymère rechargeable de 1 900 mAh
Autonomie UM	Jusqu'à 18 heures de fonctionnement en continu
Chargeur	Charge via le port micro USB (5 V) Câble de charge micro USB à USB fourni Compatible avec chargeurs USB 5 V (non inclus)
Temps de charge du système	4 heures (avec alimentation 1 A), 90% en 2 heures

Taille et poids	
Dimensions de la mallette de transport	360 × 110 × 260 mm
Poids total (avec mallette)	2,1 kg

Exigences de fonctionnement	
Température de fonctionnement	0 °C à +45 °C
Température de stockage	-20 °C à +70 °C
Humidité relative	10 à 90% sans condensation
Classe IP	IP54 pour l'unité de mesure (IP67 pour les sondes)

Contenu de la mallette	
Certificat d'étalonnage	Fourni, valable 2 ans
Dans la mallette	1 unité de mesure TKSA 11
	3 barres de référence
	2 supports d'arbre avec chaînes
	1 câble de charge micro USB à USB
	1 mètre ruban de 2 m, mesure en unités métriques et impériales
	1 certificat d'étalonnage et de conformité
	1 guide de démarrage rapide (en anglais)
	1 mallette de transport SKF

Accessoires	
Désignation	Description
TKSA 11-EBK	2 supports extensibles avec des bielles amovibles de 120 mm + 80 mm (sans chaîne)
Les accessoires du TKSA 51 sont compatibles avec le TKSA 11	
TKSA 51-EXT50	1 Support de décalage de 50 mm avec 2 tiges de 80 mm
TKSA 51-EXTCH	2 Rallonges de chaînes de 1 m pour les arbres de diamètre max. de 450 mm
TKSA 51-ROD120	4 Rallonges de tiges filetées de 120 mm
TKSA 51-ROD80	4 Rallonges de tiges filetées de 80 mm
TKSA 51-SLDBK	1 Support ajustable coulissant (pas de tiges) à utiliser avec un arbre > 30 mm ou alésage > 120 mm
TKSA 51-SPDBK	1 Support de broche avec 2 tiges de 80 mm

Spare parts	
Designation	Description
TKSA 11-MBH	1 support de barre magnétique
TKSA 11-RB	1 jeu de barres de référence (100 mm, 150 mm, 200 mm)
TKSA 11-VBK	1 support de chaîne standard avec des bielles de 80 mm et 1 chaîne standard de 480 mm
TDTC 1/B	Mallette de transport sans insert, dimension B
Les pièces de rechange du TKSA 51 sont compatibles avec le TKSA 11	
TKSA 51-VBK	1 Support de chaîne standard incl. 80 mm de tiges filetées et 1 de chaîne standard de 480 mm, incl. 4 aimants

Inhalt

CE Konformitätserklärung	60
Sicherheitshinweise	61
1. Einführung	62
1.1 Grundlagen der Wellenausrichtung.....	62
1.2 Funktionsweise.....	63
1.3 Messverfahren.....	64
2. Messeinheit.....	65
2.1 Beschreibung.....	65
2.2 Bedienung der Messeinheit.....	66
2.3 V-Winkel montieren	67
2.4 Leiste befestigen	68
2.5 Messgerät montieren	68
2.6 Direktmontage auf Kupplungen	70
3. Bedienung der App	71
3.1 Kompatible Display-Einheiten.....	71
3.2 Installation der Apps	71
3.3 Demo-Modus	72
3.3 Hauptmenü.....	72
3.5 Settings (Einstellungen).....	73
3.6 Select Unit (Gerät auswählen).....	73
3.7 Machine Information (Maschinendaten).....	74
3.8 Sensorstatus.....	76
3.9 Messungen	77
3.10 Menü „As Found“ (Wie bestimmt).....	79
3.11 Ausgleichen mit Scheiben	80
3.12 Waagerechte Korrektur.....	80
3.13 Ausrichtung kontrollieren	81
3.14 Messergebnisse im Menü „As Corrected“ (Wie korrigiert).....	81
3.15 Berichte	82
4. Technische Daten	83

Übersetzung der Original-Bedienungsanleitungen

CE Konformitätserklärung

TKSA 11

Die SKF Maintenance Products, Meidoornkade 14, 3992 AE Houten, Niederlande erklärt hiermit unter unserer alleinigen Verantwortung, dass die in dieser Gebrauchsanweisung beschriebenen Produkte den folgenden Richtlinien und Normen entsprechen:

EUROPÄISCHEN NIEDERSpannungsRICHTLINIE 2014/35/EU
RoHS-Richtlinie (EU) 2015/863

außerdem stimmen sie mit den folgenden Normen überein:
EN 61010-1:2010

63000:2018: Technische Dokumentation für die Bewertung von elektrischen und elektronischen Produkten hinsichtlich der Beschränkung von gefährlichen Stoffen.

Emissions and immunity:

EN 61326-1:2013 Klasse B, Ausrüstung für Gruppe 1,
industrial immunity test requirements

EMC:

IEC 61000-4-3:2006 – Radiated Radio Frequency Fields

IEC 61000-4-2:2009 – ESD

EN 301 489-1 V2.1.1 – Electromagnetic compatibility and Radio spectrum Matters

EN 301 489-1 clause 9.2 – Radiated RF immunity (enclosure)

EN 301 489-17 v3.1.1

EN 300 328 v2.1.1

Dieses Gerät erfüllt Teil 15 der FCC-Vorschriften.

FCC-ID: QOQBLE112

Zulassungsnummer: IC: 5123A-BGTBLE112

Name, Handelsname oder Markenname des Herstellers: bluegiga

Modellname: BLE112-A

Houten, in den Niederlanden, Januar 2024



Guillaume Dubois
Manager Quality and Compliance





Sicherheitshinweise

- Die vollständige Bedienungsanleitung ist auf SKF.com und in der SKF TKSA 11 App zu finden.
- Vor Handhabung und Bedienung des Geräts alle Warnungen in dieser Anleitung lesen und befolgen. Bei Nichtbefolgung der Sicherheitswarnungen besteht das Risiko von Verletzungen, Sachschäden oder Datenverlusten.
- Alle Anweisungen lesen und befolgen.
- Zweckmäßige Arbeitskleidung tragen – keine locker anliegende Kleidung. Schmuck ablegen. Haare, Kleidung und Handschuhe nie in die Nähe beweglicher Teile bringen.
- Nicht über das Gerät beugen. Zweckmäßiges Schuhwerk tragen und auf festen Stand achten.
- Sicherheitsausrüstung benutzen. Bei entsprechenden Arbeitsschutzrisiken sind rutschfeste Sicherheitsschuhe, Schutzhelm und Gehörschutz zu tragen.
- Arbeiten an stromführenden Geräten nur durchführen, wenn die zuständige Stelle oder Person diese Arbeiten genehmigt hat. Vor Beginn der Arbeiten immer die Maschine ausschalten.
- Gerät sorgsam behandeln. Starke Stöße und Erschütterungen können zum Erlöschen der Gewährleistung führen.
- Direktkontakt mit Wasser, feuchten Flächen oder Kondensfeuchtigkeit vermeiden.
- Gerät nicht öffnen.
- Ausschließlich Zubehör verwenden, das von SKF empfohlen wurde.
- Servicearbeiten dürfen nur von entsprechend qualifizierten SKF Spezialisten ausgeführt werden.
- Das Werkzeug sollte alle 2 Jahre kalibriert werden.



1. Einführung

1.1 Grundlagen der Wellenausrichtung

Wellenschiefstellungen sind eine der Hauptursachen für vorzeitige Maschinenausfälle. Sie sind allerdings auch eine der Ursachen, die sich mit geringem Aufwand vermeiden lassen. Die Inbetriebnahme einer Maschine mit nicht optimaler Wellenausrichtung bringt mit hoher Wahrscheinlichkeit folgende Nachteile mit sich:

- Optimale Maschinenleistung wird nicht erreicht
- Erhöhter Stromverbrauch
- Erhöhter Geräusch- und Schwingungspegel
- Vorzeitiger Lagerverschleiß
- Beschleunigte Alterung von Flachdichtungen, Stangen- und Gleitringdichtungen
- Beschleunigter Kupplungsverschleiß
- Häufigere ungeplante Stillstandszeiten

Eine korrekte Ausrichtung ist erreicht, wenn die Mittellinien der Wellen in einer Maschinenanordnung bei Last und normaler Betriebstemperatur kollinear verlaufen. Das wird häufig auch als „mittige Wellenausrichtung“ bezeichnet. Wenn die Wellen in einer Maschinenanordnung im laufenden Betrieb nicht co-linear verlaufen, sind sie nicht korrekt ausgerichtet.

Angestrebt wird eine Gerade durch die Mittellinien der Wellen in einer Maschinenanordnung.

Das SKF TKSA 11 ist ein drahtloses Wellenausrichtsystem. Es erlaubt eine einfache und genaue Ausrichtung von Wellen in Antriebsmaschinen (z.B. Elektromotoren) und in Arbeitsmaschinen (z.B. Pumpen).

1.2 Funktionsweise

Zwei berührungsfreie, induktive Näherungssensoren messen ihre Abstandsänderungen zu einer Bezugsleiste. Die Sensoren sind in der Messeinheit in einem festen Abstand voneinander montiert. Die Messeinheit wird auf der Welle an der beweglichen Seite der Maschine festgesetzt. Die Bezugsleiste wird auf der Welle an der stationären Maschinenseite magnetisch befestigt.

Die Messung erfolgt an drei Stellen, die jeweils um 90° versetzt sind (Messpositionen 9 Uhr, 12 Uhr und 15 Uhr).

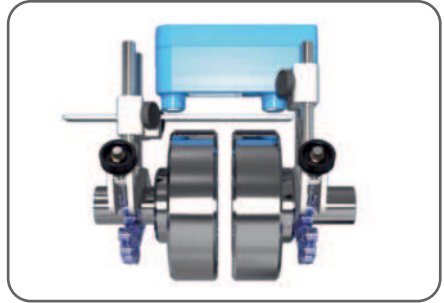
Wenn sich die Wellen mit parallelen oder axialen Fluchtungsfehlern drehen, messen die beiden Sensoren die Lagedifferenzen gegenüber der Bezugsleiste.

Die Lageinformationen für die Messeinheit werden drahtlos an ein Smartphone oder Tablet gesendet. Es berechnet die Wellenschiefstellung und schlägt Korrektoreinstellungen für den Maschinensockel vor.

Wenn die Wellen in einer Maschinenanordnung im laufenden Betrieb nicht co-linear verlaufen, sind sie nicht korrekt ausgerichtet.

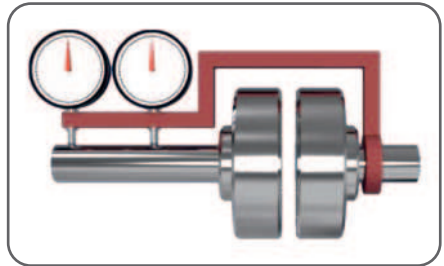
1.3 Messverfahren

Das TKSA 11 misst zwei Offsets an zwei unterschiedlichen Punkten.
Die Bezugsleiste wird dabei als Verlängerung einer der beiden Wellen behandelt. Dabei wird das Doppelradialprinzip genutzt.



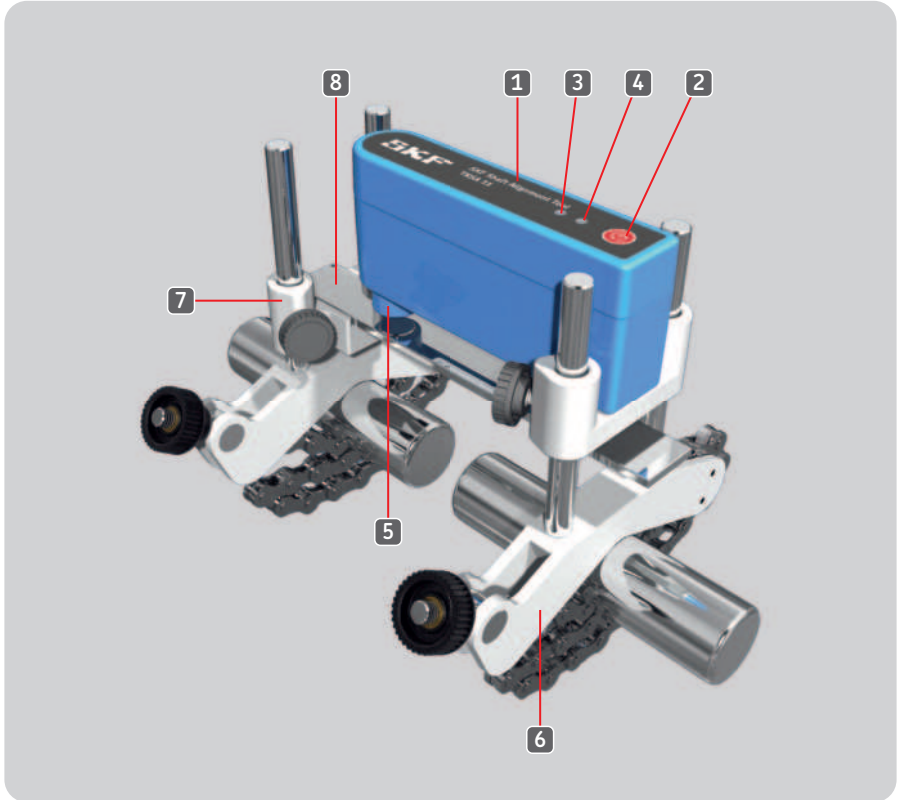
Doppelradialprinzip

Die Offsets werden an zwei Punkten gemessen.
Die frei zugängliche Wellenfläche bietet oft nicht ausreichend Platz für einen genügend großen Abstand zwischen den Fühlern.
Mit dem TKSA 11 wird dieses Problem umgangen.



2. Messeinheit

2.1 Beschreibung



1. Messeinheit	5. Zwei induktive Näherungssensoren
2. Betriebsschalter	6. V-Winkel mit Sperrkette
3. Verbindungsanzeige (blau)	7. Magnetischer Leistenhalter
4. Statusanzeige (rot/grün)	8. Bezugsleiste

Das TKSA 11 ist mit einem Akku, einem Ladeanschluss und einer Platine ausgestattet.

Hinweis:

Die Messeinheit ist für Industrieumgebungen ausgelegt. Sie enthält keine beweglichen Teile.

2.2 Bedienung der Messeinheit

- Das Gerät wird mit dem Betriebsschalter (an der Oberseite) eingeschaltet.
- Den Betriebsschalter drei Sekunden gedrückt halten, um das Gerät auszuschalten.
- Bei eingeschaltetem Gerät leuchtet die Zustandsanzeige grün.
- Die Verbindungsanzeige leuchtet blau, wenn das Gerät via Bluetooth mit der App verbunden ist.



Aufladen bei niedrigem Akkustand (Zustandsmeldung in der App)

- Ladekabel in den Anschluss an der Unterseite des Geräts stecken und das andere Ende mit einem USB-Standardladegerät (max. 1 A) oder dem USB-Anschluss eines Computers verbinden.
- Bei ausgeschaltetem Gerät leuchtet die Statusanzeige rot, solange das Gerät geladen wird.
- Die Anzeige erlischt, wenn der Akku vollständig aufgeladen ist (nach ca. 4 Stunden bei leerem Akku).

Hinweis:

Ein 5-W-Netzteil benötigt ca. 2 Stunden, um den Akku auf 90% zu laden.



2.3 V-Winkel montieren

Der V-Winkel mit dem Gestänge für den magnetischen Leistenhalter wird am stationären Wellenende befestigt.

Hinweis:

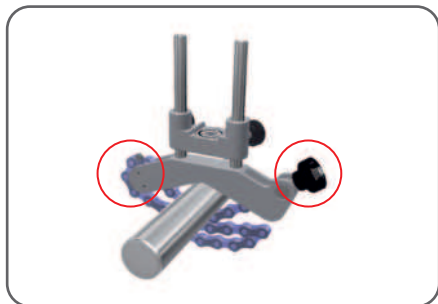
Die stationäre Maschinenseite (S) wird nicht eingestellt.

Dabei handelt es sich meist um die Arbeitsmaschine, z.B. eine Pumpe.



Für Wellen mit Durchmessern < 40 mm ist die Kette von innen am Stützanker des V-Winkels einzuhaken. Bei größeren Durchmessern wird die Kette von außen eingehakt.

Kette straffen und mit dem Spannungsregler anziehen.



Den zweiten Wellenwinkel auf der beweglichen Maschinenwelle befestigen (i.d.R ist das die Antriebsmaschine, z.B. ein Elektromotor). Der Abstand zwischen den Wellenwinkeln sollte möglichst klein sein.



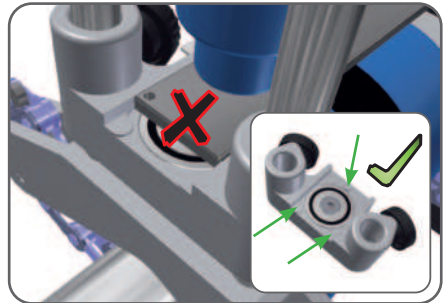
2.4 Leiste befestigen

Auf dem V-Winkel für den Bezugsleistenhalter die kürzeste Leiste ausrichten, die die Entfernung zwischen den Wellenwinkeln noch überbrücken kann. Leiste möglichst niedrig auf den Stangen positionieren. Die Leiste darf jedoch bei drehender Welle keine anderen Teile berühren (bis auf den Winkel). Ausrichtung der V-Winkel kontrollieren und beide Feststellregler anziehen.



Wichtig:

Der Bezugsleistenhalter hat neben dem Magneten drei Auflageflächen. Ein sicherer Einbau und präzise Messungen setzen voraus, dass die Leiste **alle drei Auflageflächen** berührt.



Spiel der Bezugsleiste:

Die Bezugsleiste lässt sich senkrecht zur Messrichtung verschieben. Die Ebenheitstoleranzen der Auflageflächen gewährleisten eine ausreichende Genauigkeit.

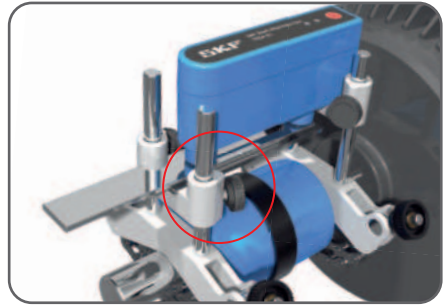
2.5 Messgerät montieren

Das Messgerät auf den Stangen an der beweglichen Seite montieren. Den Spalt zwischen den induktiven Näherungssensoren und der Bezugsleiste einstellen; er muss rund 3 mm betragen. Die Anzeige „Sensor Status“ in der App zeigt den Abstand an.



Montagetipp:

Alle Bezugsleisten haben eine Stärke von 3 mm und können als Fühlerlehren verwendet werden. Eine zweite Bezugsleiste auf der ersten ausrichten. Das Messgerät so an den Stangen ausrichten, dass der Sensor die zweite Stange berührt. Leiste mit dem Feststellregler arretieren, die zweite Leiste entfernen und beide Feststellregler anziehen.



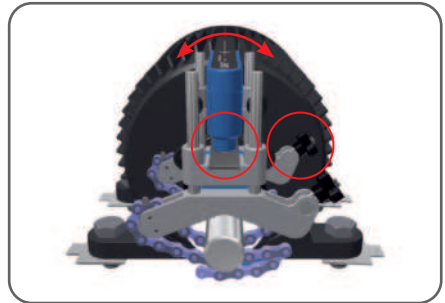
Wellenwinkel fluchten und Spannungsregler anziehen.

Montagetipp:

Die Sensoren an der Mitte der Leiste ausrichten.

Messtipp:

Messgerät und Bezugsleiste müssen während der Messungen ausgerichtet bleiben (vgl. Bild).

**Hinweis:**

Die Bezugsleiste muss beide induktive Näherungssensoren bedecken.

2.6 Direktmontage auf Kupplungen

Bei Kupplungen mit stark unterschiedlichem Wellen- und Kupplungsdurchmesser lässt sich das System möglicherweise nicht auf der Welle montieren.

In diesem Fall wird der V-Winkel direkt auf der Kupplung montiert. Die Messgenauigkeit wird auch bei kurzen Abständen zwischen den Wellenwinkeln nicht beeinträchtigt. (Im Bild sind die Ketten von außen eingehakt.)

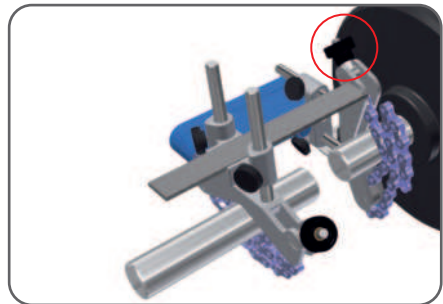
Montagezubehör:

V-Winkel mit Verlängerungsstangen (120 mm plus 80 mm) sowie Verlängerungsketten sind als Zubehör erhältlich.



Montagetipp:

Normalerweise passt die Leiste zwischen die Stangen an den V-Winkeln. Bei der Ausrichtung entkoppelter Maschinen ist darauf zu achten, dass die Leiste vor dem Wellenwinkel endet. Dadurch ist es möglich, die Wellen separat zu drehen.



3. Bedienung der App

3.1 Kompatible Display-Einheiten

- iPad Mini empfohlen
- iPad, iPod Touch, iPhone SE, Galaxy oder höher (alle nicht inbegriffen)

3.2 Installation der Apps

1. WLAN einschalten und an ein Netz anschließen
2. Auf das App Store-Symbol (iOS)



oder das Google Play Store-Symbol (Android) tippen



3. Auf den Suchbereich tippen
4. „SKF TKSA 11“ eingeben
5. Die zu installierende App wählen
6. Auf „GET“ (nur iOS) und dann auf „INSTALL“ tippen



3.3 Demo-Modus

Im Demo-Modus zeigt die App die meisten Funktionen. Ein Messgerät wird dazu nicht benötigt. Der Demo-Modus wird über das Menü „Settings“ (Einstellungen) bzw. über „Select Unit“ (Gerät auswählen) aufgerufen. Der Modus steht zur Auswahl, wenn kein Messgerät angeschlossen ist.

3.3 Hauptmenü

a. New Alignment (Neue Ausrichtung)

Klicken Sie auf das Pluszeichen, um eine neue Ausrichtung zu starten.

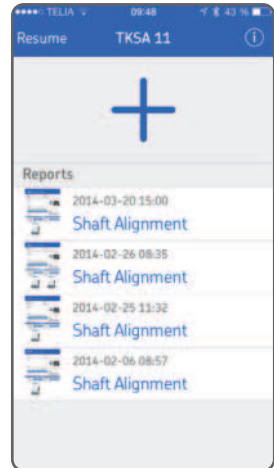
Falls das Gerät gerade eine Ausrichtung durchführt, werden Sie gefragt, ob die Ausrichtung zu Ende geführt oder eine neue Ausrichtung begonnen werden soll.

b. Resume (Fortfahren)

Wählen Sie diese Funktion, um die bereits begonnene Ausrichtung fortzusetzen.

c. Info-Menü (i)

Wählen Sie diese Funktion, um die Menüs „Settings“ (Einstellungen), „Help“ (Hilfe) und „Legal“ (Nutzungsbedingungen) aufzurufen.



d. Reports (Berichte)

Hier werden bereits erstellte Berichte angezeigt. Der jüngste Bericht erscheint am oberen Ende.

Tippen Sie auf einen Bericht, wenn Sie ihn anzeigen, bearbeiten, drucken oder verschicken wollen.

Mit einer Wischgeste von rechts nach links löschen Sie einen Bericht. Bestätigen Sie das Löschen, indem Sie auf die rote Schaltfläche „Delete“ (Löschen) tippen.



3.5 Settings (Einstellungen)

a. Company and operator (Firma und Bediener)

Tragen Sie hier Ihre Firma und den Bediener ein.

Diese Angaben erscheinen später in den Berichten.

b. Company Logo (Firmenlogo)

Hier können Sie Ihr Firmenlogo eintragen. Fotografieren Sie dazu das Logo oder wählen Sie ein Logo aus dem Fotoalbum auf dem Gerät aus (falls vorhanden).

c. TKSA 11 Hardware

Wählen Sie hier das Messgerät aus.

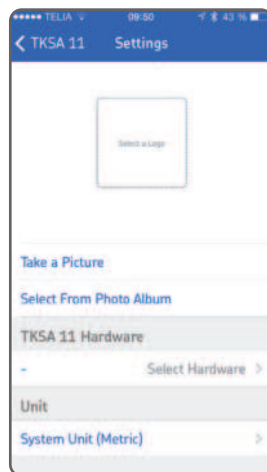
Wenn Sie die Verbindung zum Messgerät abbrechen wollen, tippen Sie auf „Cancel“ (Abbrechen).

Sobald ein Messgerät angeschlossen ist, wird dessen Seriennummer angezeigt.

Hier kann auch der Demo-Modus ausgewählt werden.

d. Unit (Maßeinheit)

Die App verwendet die für das Gerät voreingestellten Maßeinheiten. Hier können Sie manuell zwischen metrischen und inch Einheiten umschalten.



3.6 Select Unit (Gerät auswählen)

Das iPod, iPhone oder iPad verbindet sich via Bluetooth mit dem TKSA 11.

Falls keine Verbindung zu einem Gerät besteht, werden Sie gebeten, entweder ein TKSA Messgerät oder den Demo-Modus auszuwählen.

Tippen Sie auf „TKSA 11 – Serial number“ (TKSA 11 – Seriennummer) und wählen Sie das Messgerät aus.

Hinweis:

Das TKSA 11 muss eingeschaltet sein, damit eine Bluetooth-Verbindung hergestellt werden kann.

Falls keine Bluetooth-Verbindung hergestellt wird, schauen Sie in den Verbindungseinstellungen des Apple-Geräts nach, ob Bluetooth aktiviert ist.



3.7 Machine Information (Maschinendaten)

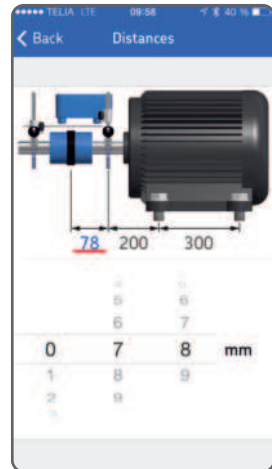
a. Distances (Maße)

Tippen Sie auf das Bild der Maschine und geben Sie die drei Maschinenmaße ein (vgl. Bild).

Um eine Angabe zu korrigieren, tippen Sie darauf und stellen den neuen Wert mit dem Regler ein. Die App verwendet automatisch die Angaben aus der letzten Messung.

Da sich der Abstand zwischen den Sensoren nicht ändert, müssen nur jeweils drei Werte angepasst werden.

1. Geben Sie den Abstand zwischen der Mitte der Kupplung und der Mitte der Stangen auf der beweglichen Seite ein.
2. Geben Sie den Abstand zwischen den Stangen auf der beweglichen Seite und dem Vorderfuß (Fußmitte) ein.
3. Geben Sie den Abstand zwischen dem Vorderfuß und dem Hinterfuß (Fußmitte) ein.



b. Toleranzen

Legen Sie die Toleranzen für die Ausrichtung fest. Die Angaben in der App-Toleranztabelle orientieren sich an der Drehzahl der Maschine.

Hinweis:

Die Toleranzen werden wahlweise metrisch oder in inch angegeben.

c. Maschinen-ID

Geben Sie einen Namen für die Maschine ein (optional). Dieser Name wird später im Bericht verwendet.

d. Foto

Wählen Sie ein Foto der Maschine aus (optional). Das Foto wird später im Bericht verwendet.

Speed (rpm)	Angular Error (mm/100)	Offset (mm)
1000-2000	0,08	0,10 ✓
2000-3000	0,07	0,07
3000-4000	0,06	0,04
4000-5000	0,05	0,03
5000-6000	0,04	<0,03

e. Soft Foot (Kippfuß, nachgiebige Fundamentierung)

Als Kippfuß wird ein Zustand bezeichnet, in dem die Maschine auf einem nachgiebigen Fundament steht und wackelt (vergleichbar einem Stuhl, der nur auf drei Beinen steht). Ein Kippfuß kann die Ausrichtung deutlich erschweren. Falls Probleme bei der Ausrichtung auftreten, sollten Sie feststellen, ob die Maschine wackelt und diesen Zustand ggf. korrigieren.

Tippen Sie auf „Soft Foot“ (Kippfuß), wenn die App Empfehlungen zur Erkennung und Behebung eines Kippfußes geben soll.

3.8 Sensorstatus

Dieses Menü erscheint nur, wenn der Spalt zwischen den induktiven Näherungssensoren und der Bezugsleiste nicht im empfohlenen Bereich von $3 \pm 0,5$ mm liegt oder wenn der Akku des Messgeräts zu 90% erschöpft ist.

a. Meldungen „Connected“ (Verbunden) und „Serial Number“ (Seriennummer)

Die beiden Zeilen geben an, ob eine Verbindung zu einem TKSA 11 Messgerät besteht und welche Seriennummer das Gerät hat.

b. Battery Level (Batteriestand)

Zeigt den Ladestand des internen Akkus an. Bei einer Restladung von weniger als 10% erscheint eine Warnung.

c. Probe Distances (Fühler-Entfernungen)

Um einen größtmöglichen Messbereich zu erhalten, sollte die Messung mit einem Abstand von $3 \text{ mm} \pm 0,5 \text{ mm}$ zwischen Sensoren und Bezugsleiste beginnen. Rot angezeigte Werte liegen außerhalb des empfohlenen Bereichs. Die beiden Pfeile geben an, in welche Richtung das Messgerät verschoben werden muss.



Hinweis:

Wenn das gelbe Warndreieck erscheint, liegt mindestens ein Abstand außerhalb des empfohlenen Bereichs.

Hinweis:

Wenn das rote Stoppsignal erscheint, sind die Sensoren zu weit oder nicht weit genug von der Bezugsleiste entfernt, um eine Messung durchzuführen.

Setup Assistance (Setup-Hilfe)

Weist darauf hin, warum eine Warnung oder ein Stoppsignal angezeigt wird und gibt Tipps zur Lösung des Problems.

d. Rotation Angle (Drehwinkel)

Der angezeigte Drehwinkel des Geräts erleichtert die genaue Positionierung.

3.9 Messungen

Die Messpositionen werden analog zum Ziffernblatt auf einer Uhr bezeichnet. Die erste Messposition ist 9 Uhr (von der Rückseite der beweglichen Maschine aus gesehen).

Die Messungen werden nacheinander in drei Positionen durchgeführt (9-12-3).

Hinweis:

Während der Messung dürfen Messgerät, Bezugsleistenwinkel und Stangen nicht berührt oder bewegt werden. Die Leiste darf auf den Winkeln nicht verschoben werden. Das Messgerät nicht zum Drehen der Wellen verwenden!

Position 9 Uhr (90°)



Position 12 Uhr (0°)



Position 3 Uhr (-90°)



a. Messung durchführen

Auf dem Display wird das Messgerät aus Sicht der beweglichen Maschine angezeigt.

Die erforderlichen Messpositionen werden durch ein Dreieck angezeigt.

1. Drehen Sie die Wellen zum grün umrandeten Dreieck auf 9 Uhr.
2. Sobald die Abweichung kleiner ist als $\pm 5^\circ$, färbt sich das Dreieck vollständig grün und die Schaltfläche „Record“ (Aufzeichnen) wird grün.
3. Tippen Sie auf „Record“ (Aufzeichnen).
4. Drehen Sie die Wellen zum grün umrandeten Dreieck auf 12 Uhr.
5. Tippen Sie auf „Record“ (Aufzeichnen).
6. Drehen Sie die Wellen zum grün umrandeten Dreieck auf 3 Uhr.
7. Tippen Sie auf „Record“ (Aufzeichnen).

Hinweis:

Lassen Sie das Messgerät in der 3-Uhr-Position, um anschließend eine waagerechte Lagekorrektur mit Hilfe der Echtzeitdarstellung durchzuführen.



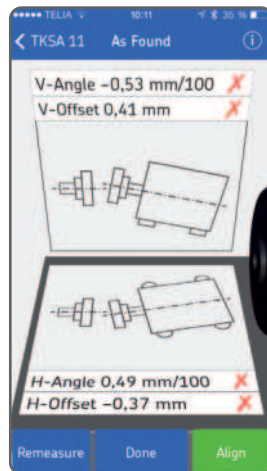
3.10 Menü „As Found“ (Wie bestimmt)

Der parallele Versatz und der axiale Fluchtungsfehler für die senkrechte und waagerechte Achse bzw. Ebene werden kombiniert dargestellt. Das Menü zeigt die Lage der Maschine von der Seite und von oben an.

Die Messwerte werden mit den ausgewählten Toleranzen verglichen. Die Symbole rechts neben den Werten geben an, ob die Toleranzen eingehalten werden.

Innerhalb der Toleranz: ✓

Außerhalb der Toleranz: ✗



a. Remeasure (Neu messen)

Wenn Sie die Messung wiederholen wollen, wählen Sie „Remeasure“ (Neu messen).

b. Done (Fertig)

Tippen Sie auf „Done“ (Fertig), wenn Sie die Ergebnisse übernehmen und wieder ins Hauptmenü wechseln wollen. Die App erstellt automatisch einen Bericht.

Hinweis:

Sie können die Ausrichtung auch dann fortsetzen, wenn Sie schon auf „Done“ (Fertig) getippt haben.

c. Align (Ausrichten)

Die Schaltfläche „Align“ (Ausrichten) leuchtet grün, wenn senkrechte oder waagerechte Korrekturen erforderlich sind.

In diesem Fall liegen die aktuellen Werte außerhalb der Toleranzen und müssen korrigiert werden.

3.11 Ausgleichen mit Scheiben

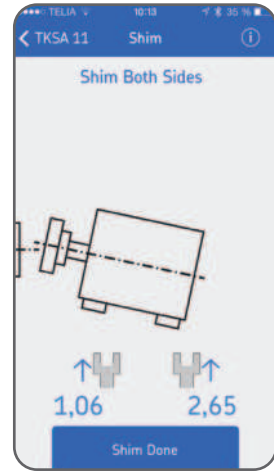
Wenn die Ergebnisse der senkrechten Messung außerhalb der Toleranz liegen, müssen Sie die Position mit Passscheiben korrigieren. Das System berechnet die Korrekturwerte für den Fuß. Die Pfeile zeigen, ob Sie Passscheiben hinzufügen oder wegnehmen müssen. Die Werte für die Passscheiben sind fest eingetragen (keine Echtzeitaktualisierung). Tippen Sie auf „Shim Done“ (Ausgleich mit Scheiben fertig), sobald die Korrektur abgeschlossen ist.

Hinweis:

Wenn „Shim Both Sides“ (Beide Seiten mit Scheiben ausgleichen) angezeigt wird, müssen Sie die Lage des vorderen und hinteren Fußpaares mit Passscheiben korrigieren.

Hinweis:

Wenn die Schaltfläche „Shim Done“ (Ausgleich mit Scheiben fertig) grün leuchtet, müssen Sie keine Anpassungen mit Passscheiben vornehmen.



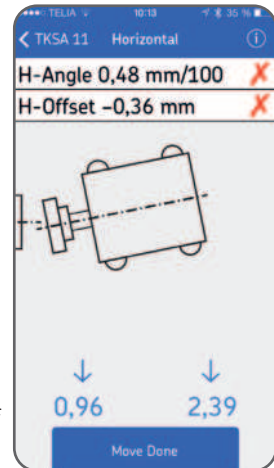
3.12 Waagerechte Korrektur

1. Richten Sie das Gerät in der 3-Uhr-Position aus. Das System bestimmt die Korrekturwerte für den Fuß der beweglichen Maschine in Echtzeit. Dabei werden der Versatz und der axiale Fluchtungsfehler berücksichtigt.
2. Schieben Sie die Maschine waagrecht in Pfeilrichtung. Die Lage- und Werteanzeige wird in Echtzeit aktualisiert.

Hinweis:

Sobald sich das Gerät um mehr als $\pm 5^\circ$ gegenüber der 3-Uhr-Position verschiebt, wird das Display dunkel und die Korrekturwerte für den Fuß verschwinden. Drehen Sie die Wellen in der Echtzeitansicht in die 3-Uhr-Position. Sie können oben links auf das Infosymbol tippen, um sich den aktuellen Drehwinkel anzeigen zu lassen und eine Drehung auf -90° vorzunehmen.

3. Sobald die geforderte Ausrichtung erreicht ist, ziehen Sie die Bolzen fest. Kontrollieren Sie anschließend, dass die Werte innerhalb der Toleranzen geblieben sind.
4. Wenn sich die Maschine innerhalb der Toleranzen befindet, wird die Schaltfläche „Move Done“ (Bewegen abgeschlossen) grün.



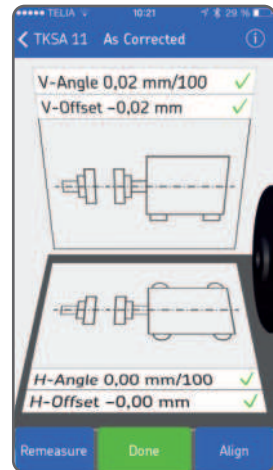
3.13 Ausrichtung kontrollieren

Um die Ausrichtung zu kontrollieren, wiederholen Sie die Messung. Dieser Arbeitsschritt ist nicht zwingend erforderlich.



3.14 Messergebnisse im Menü „As Corrected“ (Wie korrigiert)

Wenn die Schaltfläche „Done“ (Fertig) grün ist, sind die Wellen innerhalb der festgelegten Toleranzen ausgerichtet. Sollte das nicht der Fall sein, tippen Sie auf „Align“ (Ausrichten), um die Schiefstellung zu korrigieren. Tippen Sie auf „Done“ (Fertig), um zum Hauptmenü zu wechseln. Das Gerät erstellt automatisch einen Bericht.



3.15 Berichte

Berichte werden automatisch als PDF-Dateien erstellt und im Hauptmenü angezeigt.

Wenn Sie auf einen Bericht tippen, wird er geöffnet. Sie können die Berichtsdarstellung vergrößern und verkleinern.

Tippen Sie auf einen geöffneten Bericht, wenn Sie ihn bearbeiten wollen.



Zum Kopieren, Drucken und Versenden des Berichts.

a. Edit Report (Bericht bearbeiten)

Berichte enthalten Messwerte und können durch zusätzliche Informationen ergänzt werden.

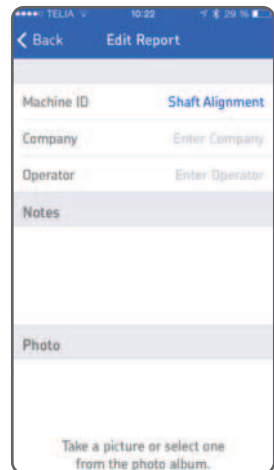
Tippen Sie auf das Feld, das Sie bearbeiten wollen.

b. Notes (Hinweise)

Hier können Sie zusätzliche Anmerkungen eintragen.

c. Signature (Unterschrift)

Hier können Sie den Bericht unterzeichnen. Falls der Bericht später geändert wird, wird die Unterschrift automatisch entfernt.



4. Technische Daten

Technische Daten	
Kurzzeichen	TKSA 11
Beschreibung	SKF Wellenausrichtsystem TKSA 11

Messgerät	
Sensoren	2 induktive Näherungssensoren
Elektronische Neigungsmesser	Ja
Drahtlose Kommunikation	Bluetooth 4.0 LE
Funkreichweite	> 10 m
Gehäusematerial	PC/ABS-Kunststoff
Farben	SKF Produktblau
Abmessungen	105 × 55 × 55 mm
Gewicht	155 g
Bezugsleisten	3 (im Lieferumfang enthalten) 100 mm, 150 mm, 200 mm
Material der Bezugsleisten	Vernickelter Stahl

Eigenschaften	
Messabstand	0 bis 185 mm zwischen den Winkeln
Sensormessbereich	5 mm
Messfehler < 2 %	Unter 2%
Angezeigte Auflösung	10 µm
Neigungsmesser-Auflösung	± 0,1 °
Neigungsmesser-Genauigkeit	± 0,5 °

Operating device	
Kompatible Bedienungseinheiten	iPad Mini empfohlen iPad, iPod Touch, iPhone SE, Galaxy oder höher (alle nicht inbegriffen)
Bedienungseinheit	TKSA 11: Nicht im Lieferumfang enthalten
Software-/App-Update	Apple AppStore oder Google Play Store
Anforderungen an das Betriebssystem	Apple iOS 8 oder Android OS 9 (und aktueller)

Wellenwinkel	
Befestigung	2 V-Winkel mit Ketten
Werkstoff	Eloxiertes Aluminium
Wellendurchmesser	20 bis 160 mm
Max. empf. Kupplungshöhe	55 mm (bei Standardstangen mit 80 mm Höhe)
Sockelbreite V-Winkel	15 mm
Kettenlänge	480 mm (Kette im Lieferumfang enthalten) (optionale Verlängerungsketten)
Stangen	Pro Winkel zwei Stangen, 80 mm lang

Eigenschaften	
Ausrichtung	3 Messungen (jeweils um 90 ° versetzt)
Senkrechte Korrektur	Ja (Passscheiben)
Waagerechte Echtzeitkorrektur	Ja
Bericht	Automatischer PDF-Bericht
Digitalkamera	Ja (im Steuergerät)
Lageabhängige Displayanzeige	Nur Hochformat

Akku und Stromversorgung	
Akku 1 900 mAh Lithium-Polymer-Akku	1 900 mAh wiederaufladbare Lithium Polymer Batterie
Betriebsdauer	Bis zu 18 Stunden Dauerbetrieb
Netzteil	Aufladung via Micro-USB-Buchse (5 V) Ladekabel im Lieferumfang enthalten (Micro-USB zu USB) Kompatibel zu USB-Ladegeräten mit 5 V (nicht im Lieferumfang enthalten)
Ladedauer	4 Stunden (bei 1 A Ladestrom), 90% in 2 Stunden

Größe und Gewicht	
Abmessungen Tragekoffer	360 × 110 × 260 mm
Gesamtgewicht (inkl. Tragekoffer)	2,1 kg

Betriebsanforderungen	
Anwendungs-Temperaturbereich	0 °C bis +45 °C
Aufbewahrungs-Temperaturbereich	-20 °C bis +70 °C
Relative Luftfeuchtigkeit	10% bis 90%, nicht kondensierend
Schutzgrad	IP 54 (Messgerät) und IP 67 (Fühler)

Inhalt Tragekoffer	
Kalibrierungszertifikat	2 Jahre Gültigkeit
Im Tragekoffer	1 TKSA 11 Messgerät
	3 Bezugsleisten
	2 Wellenwinkel mit Ketten
	1 Ladekabel Micro-USB zu USB
	1 Maßband, 2 m, metrisch und inch
	1 Kalibrierungs- und Konformitätszertifikat
	1 Kurzanleitung (Englisch)
	1 SKF Tragekoffer

Zubehör	
Kurzzeichen	Beschreibung
TKSA 11-EBK	2 Verlängerungswinkel mit abnehmbaren Stangen 120 mm + 80 mm (Kette nicht im Lieferumfang enthalten)
TKSA 51 Zubehör ist auch mit TKSA 11 kompatibel	
TKSA 51-EXT50	1 × Versatzrahmen 50 mm mit 2 × Stangen 80 mm
TKSA 51-EXTCH	2 × Verlängerungsketten 1 m für Wellen bis 450 mm Durchmesser
TKSA 51-ROD120	4 × Verlängerungsstangen 120 mm mit Gewinde
TKSA 51-ROD80	4 × Verlängerungsstangen 80 mm mit Gewinde
TKSA 51-SLDBK	1 × Verstellbare Schiebekonsole (ohne Stangen) für Wellen > 30 mm bzw. Bohrung > 120 mm
TKSA 51-SPDBK	1 × Spindelhalterung mit 2 × Stangen 80 mm

Ersatzteile	
Kurzzeichen	Beschreibung
TKSA 11-MBH	1 × Magnetischer Leistenhalter
TKSA 11-RB	1 × Bezugsleistensatz (100 mm, 150 mm, 200 mm)
TKSA 11-VBK	1 × Standardkettenwinkel mit Stangen (80 mm) und 1 × Standardkette 480 mm
TDTC 1/B	Transportkoffer ohne Inlay, Größe B
TKSA 51 Ersatzteile sind auch mit TKSA 11 kompatibel	
TKSA 51-VBK	1 × Standardkettenwinkel einschl. 80 mm Gewindestangen und 1 × Standardkette 480 mm, einschl. 4 × Magneten

Índice

Declaración de conformidad CE	88
Recomendaciones de seguridad.....	89
1. Introducción	90
1.1 Generalidades de alineación de ejes.....	90
1.2 Principio de funcionamiento.....	91
1.3 Método de medición	92
2. La unidad de medición.....	93
2.1 Descripción	93
2.2 Manejo de la unidad de medición.....	94
2.3 Montaje de los soportes en V.....	95
2.4 Acople de la barra.....	96
2.5 Montaje de la unidad de medición	96
2.6 Montaje directo sobre acoplamientos	98
3. Uso de la aplicación	99
3.1 Dispositivos de visualización compatibles	99
3.2 Instalación de las aplicaciones	99
3.3 Modo Demo	100
3.4 Menú principal	100
3.5 Configuración.....	101
3.6 Selección de la unidad	101
3.7 Información del equipo	102
3.8 Estado del sensor	104
3.9 Mediciones.....	105
3.10 Resultados de la medición “As found” (como se encontró).....	107
3.11 Uso de chapas calibradas	108
3.12 Corrección horizontal	108
3.13 Verificar la alineación.....	109
3.14 Resultados de la medición “As corrected” (según corrección)	109
3.15 Informe.....	110
4. Especificaciones técnicas	111

Declaración de conformidad UE

TKSA 11

SKF Maintenance Products, Meidoornkade 14, 3992 AE Houten, Países Bajos, declara bajo su exclusiva responsabilidad que los productos descritos en estas instrucciones de uso observan lo dispuesto en las condiciones establecidas en la(s) siguiente(s) Directiva(s):

DIRECTIVA DE EQUIPOS DE RADIO 2014/53/UE

DIRECTIVA EUROPEA RoHS (sobre restricciones en la utilización de determinadas sustancias peligrosas) (UE) 2015/863

y cumplen con las siguientes normas armonizadas:

EN 61010-1:2010

EN IEC 63000:2018: Documentación técnica para la evaluación de productos eléctricos y electrónicos con respecto a la restricción de sustancias peligrosas.

Emissions and immunity:

EN 61326-1:2013 Equipamiento Clase B, grupo 1,
industrial immunity test requirements

EMC:

IEC 61000-4-3:2006 – Radiated Radio Frequency Fields

IEC 61000-4-2:2009 – ESD

EN 301 489-1 V2.1.1 – Electromagnetic compatibility and Radio spectrum Matters

EN 301 489-1 clause 9.2 – Radiated RF immunity (enclosure)

EN 301 489-17 v3.1.1

EN 300 328 v2.1.1

El dispositivo que se incluye cumple con la Parte 15 de las Normas de la FCC.

Contiene identificación de la FCC: QOQBLE112

Número de certificación: IC: 5123A-BGTBLE112

Nombre del fabricante, nombre comercial o de marca: bluegiga

Nombre del modelo: BLE112-A

Houten, Países Bajos, enero de 2024



Guillaume Dubois
Jefe de calidad y cumplimiento





Recomendaciones de seguridad

- Las instrucciones de uso completas están disponibles en SKF.com y en la aplicación SKF TKSA 11.
- Lea y siga todas las advertencias de este documento antes de manipular y operar el equipo. Usted puede resultar gravemente herido, y el equipo y los datos se pueden dañar si no respeta las advertencias de seguridad.
- Lea y siga siempre las instrucciones de operación.
- Vista de manera apropiada. No use ropa suelta ni joyas. Mantenga el pelo, la ropa y los guantes lejos de las piezas en movimiento.
- No estire demasiado su cuerpo si desea alcanzar algo. Mantenga los pies correctamente apoyados y en equilibrio en todo momento para permitir un mejor control del dispositivo durante situaciones inesperadas.
- Utilice equipo de seguridad. Se debe utilizar calzado de seguridad antideslizante, casco o protección auditiva.
- Nunca trabaje en equipos con energía salvo que lo autorice una autoridad responsable. Siempre desconecte la energía del equipo antes de comenzar.
- No exponga el equipo a manipulación o impactos fuertes, porque se anulará la garantía.
- Evite el contacto directo con el agua, superficies húmedas o condensación de humedad.
- No intente abrir el dispositivo.
- Utilice solo accesorios recomendados por SKF.
- El mantenimiento del dispositivo solo lo debe realizar el personal calificado de reparaciones de SKF.
- Recomendamos calibrar la herramienta cada 2 años.



1. Introducción

1.1 Generalidades de alineación de ejes

La desalineación de ejes es una de las causas más significativas de la falla prematura de los equipos, aunque también es una de las más fáciles de prevenir. Cuando se pone en servicio un equipo cuya alineación de ejes es menos que óptima, es probable que se den las siguientes condiciones:

- Rendimiento deficiente del equipo
- Mayor consumo de energía
- Mayor ruido y vibraciones
- Desgaste prematuro de rodamientos
- Deterioro acelerado de juntas, empaquetaduras y sellos mecánicos
- Mayor velocidad de desgaste de acoplamientos
- Mayor tiempo de inactividad no planificado

Se logra una alineación correcta cuando las líneas de los centros de cada eje son colineales, cuando el equipo está bajo carga y a temperaturas de funcionamiento normales.

Con frecuencia, esto se denomina alineación eje a eje. Si los ejes de un tren de máquinas no son colineales cuando el equipo está en funcionamiento, están desalineados.

En esencia, el objetivo es tener una línea recta a través de los centros de todos los ejes de los equipos.

El alineador de ejes SKF TKSA 11 es un alineador de ejes inalámbrico que provee un método sencillo y preciso de alinear los ejes de un equipo conductor (p. ej., motor eléctrico) y uno conducido (p. ej., bomba).

1.2 Principio de funcionamiento

Dos sensores de proximidad inductivos, sin contacto, miden la variación de la distancia entre los sensores y la barra de referencia. Los sensores están montados en la unidad de medición de manera rígida, separados por una distancia fija. La unidad de medición está firmemente acoplada al eje en el lado móvil del equipo. La barra de referencia está firmemente acoplada al eje, del lado fijo del equipo, mediante un soporte magnético.

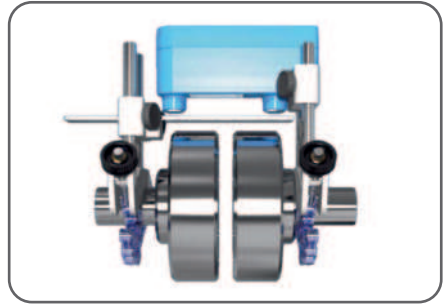
Durante el procedimiento de medición, se toman las mediciones en tres posiciones, separadas entre sí por 90° , conocidas como mediciones de las 9, 12 y 3 en punto. A medida que rotan los ejes a través de un arco, toda desalineación paralela o angular provoca que los dos sensores midan la diferencia de su posición, en relación con la barra de referencia.

La información de posicionamiento de la unidad de medición se comunica de manera inalámbrica al dispositivo iOS, que calcula la cantidad de desalineación del eje y aconseja los ajustes correctivos que se deben realizar a las patas del equipo.

Si los ejes de un tren de máquinas no son colineales cuando el equipo está en funcionamiento, están desalineados por definición.

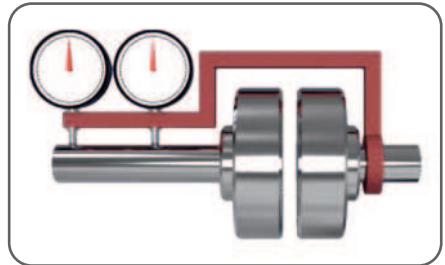
1.3 Método de medición

La unidad de medición TKSA 11 mide dos compensaciones en dos puntos separados. La barra de referencia actúa como una extensión de uno de los ejes. Utiliza el principio del método doble radial.



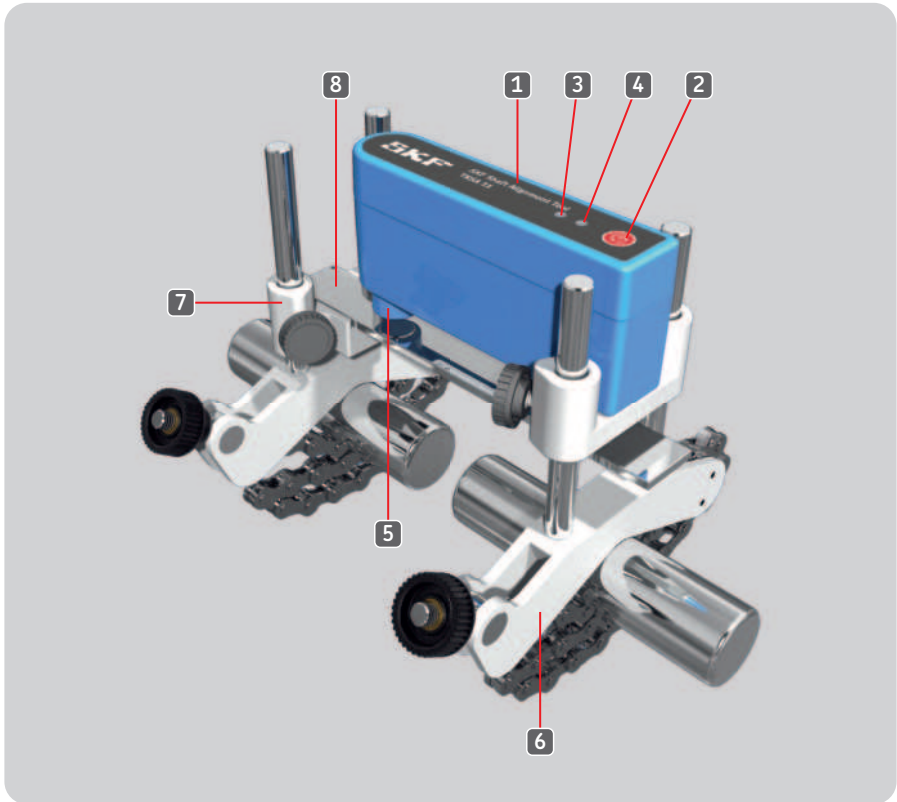
Método doble radial

Mide dos compensaciones en dos puntos. A diferencia del TKSA 11, por lo general no hay suficiente eje expuesto para poder colocar los indicadores a suficiente distancia.



2. La unidad de medición

2.1 Descripción



1. Unidad de medición	5. Dos sensores de proximidad inductivos
2. Botón ON/OFF	6. Soporte en V con cadena de bloqueo
3. LED de conexión azul	7. Soporte de la barra magnética
4. LED de estado rojo/verde	8. Barra de referencia

La unidad de medición TKSA 11 está provista de una batería recargable, un puerto de carga y una placa de circuito impreso.

Nota:

El diseño de la unidad de medición es robusto y NO contiene piezas móviles.

2.2 Manejo de la unidad de medición

- Encienda la unidad, presionando el botón de encendido en la parte superior.
- Presione el botón durante tres segundos para apagarla.
- El LED de estado cambiará a verde cuando la unidad esté encendida.
- El LED de conexión cambiará a azul cuando la unidad se conecte mediante Bluetooth a la aplicación.



Cargue las unidades de medición cuando la aplicación indique batería baja.

- Conecte el cable del cargador en el conector que está en la parte inferior de la unidad, y el otro extremo a un cargador USB estándar (máx. 1A) o a un puerto USB de computadora.
- El LED rojo indicará que se está cargando cuando la unidad esté apagada.
- El LED se apagará cuando la batería esté totalmente cargada (aproximadamente 4 horas para una batería descargada).

Nota:

La unidad estará cargada en un 90% en 2 horas, con un adaptador de potencia de 5 W.



2.3 Montaje de los soportes en V

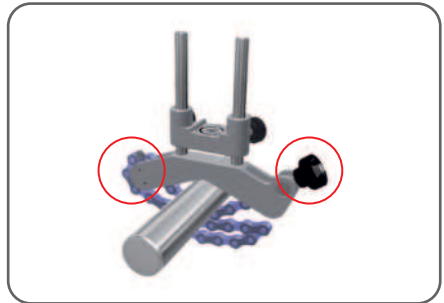
El soporte en V del eje con un soporte de barra magnético montado sobre varillas se acopla al eje fijo del equipo.

Nota:

El lado fijo (S) es el lado del equipo que no se ajustará. Por lo general, es el equipo conducido, p. ej., la bomba.



Para ejes cuyo diámetro es <40 mm (<1.5 pulg.), enganche la cadena en el anclaje del soporte en V desde el interior. Para diámetros mayores, enganche la cadena desde el exterior. Elimine la holgura de la cadena y ajústela firmemente con la perilla de sujeción.



Acople el otro soporte del eje al eje móvil del equipo, por lo general, el equipo conductor, p. ej., el motor eléctrico. Trate de mantener una distancia corta entre los soportes del eje.



2.4 Acople de la barra

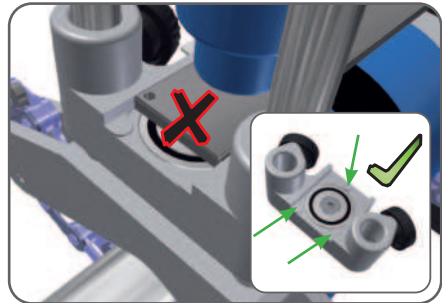
En el soporte de la barra de referencia del soporte en V, coloque la barra más corta que se extiende entre los soportes del eje. Ajuste la posición sobre las varillas, en posición baja.

La barra no debe tocar ninguna pieza que no sea su soporte durante la rotación del eje. Ajuste el soporte en V en su lugar, con las dos perillas de bloqueo.



Importante:

El soporte de la barra de referencia tiene tres superficies de apoyo además del imán. La barra tiene que cubrir **las tres superficies de apoyo** para un montaje seguro y una medición precisa.



Nota sobre el juego de la barra de referencia:

La barra de referencia se puede mover de manera perpendicular a la dirección de medición.

Las tolerancias de planicidad de las superficies de apoyo ayudan a asegurar la precisión suficiente.

2.5 Montaje de la unidad de medición

Monte la unidad de medición sobre las varillas, del lado móvil.

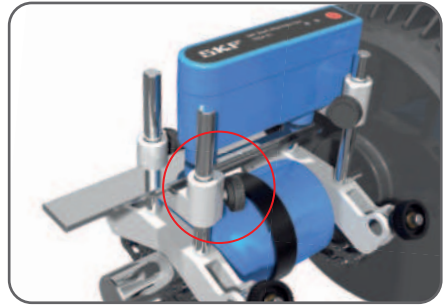
Ajuste la distancia entre los sensores de proximidad inductivos y la barra de referencia a aproximadamente 3 mm ($1/8$ pulg.).

En la aplicación, "Sensor status" (Estado del sensor) indica la distancia correcta.



Consejo de montaje:

El espesor de todas las barras de referencia es de 3 mm (0.12 pulg.) y se pueden utilizar como galga de espesores. Mantenga una segunda barra de referencia por encima de la primera. Ajuste la unidad de medición a las varillas, de modo que el sensor toque la segunda barra. Asegure la posición con una perilla de bloqueo, retire la segunda “galga de espesores” y ajuste firmemente las dos perillas de bloqueo.



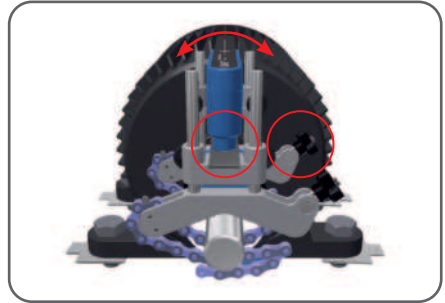
Alinee los soportes del eje y ajústelos firmemente con las perillas de ajuste.

Consejo de montaje:

Alinee los sensores en el centro de la barra.

Consejo de medición:

Asegúrese de que la unidad de medición y la barra de referencia permanezcan alineadas durante las mediciones, como se muestra en esta imagen.

**Nota:**

Asegúrese de que la barra de referencia cubra los dos sensores inductivos de proximidad.

2.6 Montaje directo sobre acoplamientos

Para acoplamientos con una gran variación en el diámetro del eje y del acoplamiento, podría no ser posible montar el sistema sobre los ejes.

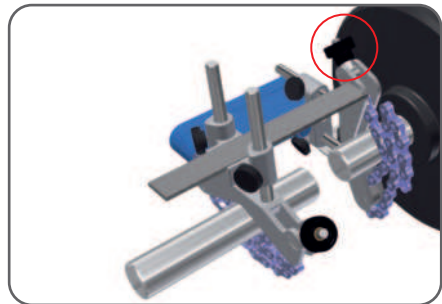
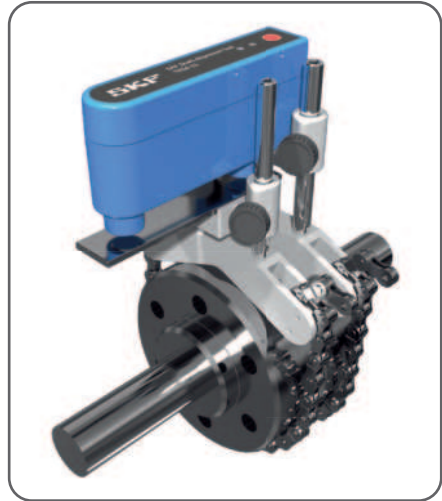
En este caso, monte los soportes en V directamente sobre el acoplamiento. El sistema no perderá precisión aunque la distancia entre los soportes del eje sea corta. (Aquí pueden verse las cadenas enganchadas desde el exterior).

Accesorios de montaje:

Los accesorios disponibles son soportes en V con varillas más largas (120 mm más 80 mm), así como cadenas de prolongación.

Consejo de montaje:

Normalmente, la barra pasa a través de las varillas de ambos soportes en V. Cuando se miden equipos sin acoplar, asegúrese de que la barra finalice antes del soporte de eje. Esto posibilitará girar un eje por vez.



3. Uso de la aplicación

3.1 Dispositivos de visualización compatibles

- iPad mini recomendados
- iPad, iPod touch, iPhone SE, Galaxy o superior (no todos están incluidos)

3.2 Instalación de las aplicaciones

1. Encienda el Wi-Fi y conecte a una red de Internet
2. Pulse el ícono App Store (iOS)



o el ícono Google Play Store (Android)



3. Pulse el área de búsqueda
4. Ingrese “SKF TKSA 11”
5. Seleccione la aplicación que desee instalar
6. Pulse “GET” (OBTENER) (solo en iOS) y luego “INSTALL” (INSTALAR)



3.3 Modo Demo

La aplicación presenta un modo Demo (Demostración) que permite utilizar la mayor parte de las funcionalidades sin la necesidad de una unidad de medición.

El modo Demo (Demostración) está disponible en la pantalla Settings (Configuración) y en la pantalla Select unit (Selección de la unidad) cuando no esté conectada ninguna unidad de medición.

3.4 Menú principal

a. Nueva alineación

Haga clic en el signo más (“+”) que se encuentra en el centro para comenzar una nueva alineación.

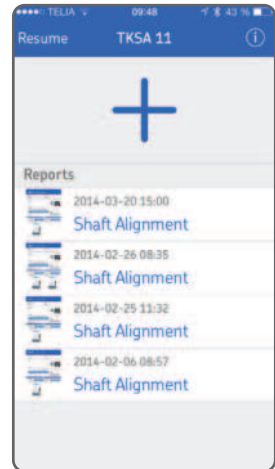
Si está en curso una alineación actual, se le preguntará si desea reanudarla o comenzar una nueva.

b. Reanudar

Continúe con la alineación iniciada previamente.

c. Menú de información “i”

Acceda a los menús de información “Settings” (Configuración), “Help” (Ayuda) y “Legal”.



d. Informes

Los informes previamente creados se muestran como una lista, con el informe creado en último lugar en la parte superior.

Si se toca un informe, permitirá que se abra para verlo, editarlo, imprimirlo y enviarlo por correo.

Elimine un informe deslizándose de derecha a izquierda sobre la línea del informe. Toque el botón rojo “Delete” (Eliminar).



3.5 Configuración

a. Compañía y operador

Agregue el nombre de su compañía y de operador. Aparecerán en el informe.

b. Logotipo de la compañía

Agregue el logotipo de su compañía al informe, tomando una fotografía o seleccionando una del álbum de fotos de su dispositivo operativo.

c. Hardware del TKSA 11

Toque para seleccionar una unidad de medición.

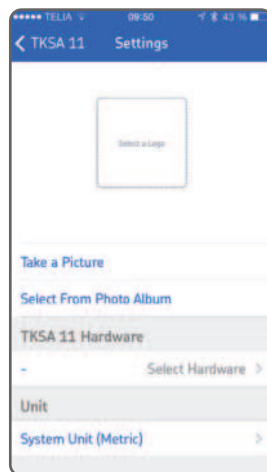
Toque Cancel (Cancelar) para eliminar una unidad de medición que esté conectada.

Si está conectada una unidad de medición, se mostrará su número de serie.

También es posible seleccionar el modo Demo (Demostración).

d. Unidad

Las unidades que se visualizan se basan normalmente en las unidades del sistema, aunque también es posible seleccionar en forma manual unidades métricas o imperiales.



3.6 Selección de la unidad

La comunicación inalámbrica Bluetooth establece una conexión entre el iPod/iPhone o iPad y la unidad TKSA 11.

Cuando no está conectada ninguna unidad a su dispositivo, la aplicación lo urgirá a seleccionar una unidad de medición TKSA o a elegir el modo Demo (Demostración).

Toque la línea "TKSA 11 - Número de serie" para seleccionar y conectar la unidad de medición a la aplicación.

Nota:

No olvide encender la unidad de medición TKSA 11.

Asegúrese de que esté habilitado Bluetooth en su dispositivo operativo.



3.7 Información del equipo

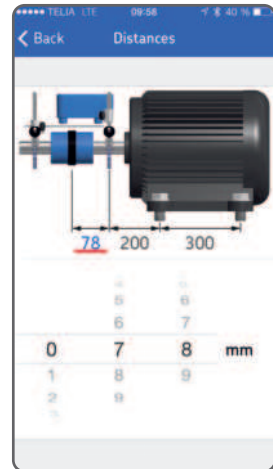
a. Distancias

Toque la imagen del equipo e ingrese las tres dimensiones del equipo como se muestra.

Toque la medición para seleccionar y especificar nuevas mediciones de distancia utilizando la rueda de desplazamiento. Las distancias que se ingresen de la alineación previa serán las distancias predeterminadas.

Puesto que la distancia entre los sensores es fija, solo se deben especificar tres distancias.

1. Mida e ingrese la distancia entre el centro del acoplamiento y el centro de las varillas del lado móvil.
2. Mida e ingrese la distancia entre las varillas del lado móvil y las patas delanteras (centro de la pata).
3. Mida e ingrese la distancia entre las patas delanteras y traseras (centro de las patas).



b. Tolerancias

Seleccione las tolerancias de la alineación. La tabla de tolerancias incorporada se basa en la velocidad del equipo que se está alineando.

Nota:

Las tolerancias están disponibles en unidades métricas o imperiales.

c. ID del equipo

Ingrese un nombre de equipo que se mostrará en el informe (opcional).

d. Foto

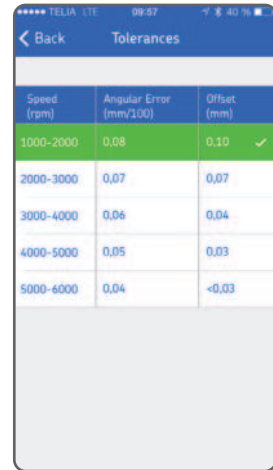
Agregue una fotografía de su equipo para el informe (opcional).

e. Pata coja

Un equipo tiene una condición de pata coja cuando no se apoya del mismo modo en todas sus patas. Es algo similar a una silla que se balancea en tres patas.

La presencia de una condición de pata coja puede dificultar el proceso de alineación. Si tiene problemas con su alineación, verifique la condición de pata coja y corríjala si la encuentra.

Haga clic en la línea Soft Foot (Pata coja) para ver las recomendaciones sobre cómo medir y corregir esta condición.



Speed (rpm)	Angular Error (mm/100)	Offset (mm)
1000-2000	0,08	0,10 ✓
2000-3000	0,07	0,07
3000-4000	0,06	0,04
4000-5000	0,05	0,03
5000-6000	0,04	<0,03

3.8 Estado del sensor

La pantalla Sensor Status (Estado del sensor) se muestra solo cuando la distancia entre los sensores de proximidad inductivos y la barra de referencia no está dentro del rango recomendado, de $3 \pm 0,5$ mm (*0.12 pulg. ± 0.02 pulg.*), o cuando el nivel de la batería de la unidad de medición esté por debajo del 10%.

a. Connected (Conexión) y Serial Number (Número de serie)

Indica si una unidad de medición TKSA 11 está conectada y muestra su número de serie.

b. Battery Level (Nivel de la batería)

Indica el nivel de carga de la batería interna. Se visualiza una advertencia cuando está por debajo del 10%.

c. Probe Distances (Distancias de la sonda) (mm o mils)

Para obtener el mayor rango posible, es aconsejable comenzar la medición a una distancia de $3 \text{ mm} \pm 0,5 \text{ mm}$ (*120 mils ± 20 mils*) entre los sensores y la barra de referencia. Los valores que se visualizan en rojo no están dentro del rango recomendado. Las dos flechas muestran cómo ajustar la unidad de medición en la dirección correcta.



Nota:

El signo de advertencia amarillo indica que una de las distancias, como mínimo, no está dentro del rango aconsejado.

Nota:

El signo rojo "Stop" (Detener) indica que los sensores están demasiado lejos o demasiado cerca de la barra de referencia como para obtener una lectura.

Asistente de configuración

Indica el motivo de la advertencia o la detención, y da indicios sobre cómo resolver el problema.

d. Rotation Angle (Ángulo de rotación)

Se visualiza el ángulo de rotación de la unidad y se puede utilizar para un posicionamiento preciso.

3.9 Mediciones

Como analogía, se utiliza una cara de reloj para describir las distintas posiciones de medición. La primera posición de medición es la de las 9 en punto, cuando se mira desde atrás del equipo móvil.

Las mediciones se deben tomar en forma sucesiva, en tres posiciones distintas (9-12-3).

Nota:

No mueva ni toque la unidad de medición ni el soporte de la barra de referencia ni sus varillas, ni deslice la barra sobre su soporte durante la medición.

No utilice el equipo de medición como mango para girar los ejes.

Posición 9. (90°)



Posición 12. (0°)



Posición 3. (-90°)



a. Procedimiento de medición

La pantalla muestra la unidad de medición vista desde el equipo móvil.

Un símbolo triangular indicará la posición requerida de la unidad de medición durante cada paso.

1. Gire los ejes hasta el triángulo de bordes verdes, en la posición de las 9 en punto.
2. Cuando estén posicionados dentro de $\pm 5^\circ$, el símbolo pasa a un triángulo verde relleno, y el botón Record (Registrar) cambia a verde.
3. Toque "Record" (Registrar).
4. Gire los ejes hasta el triángulo de bordes verdes, en la posición de las 12 en punto.
5. Toque "Record" (Registrar).
6. Gire los ejes hasta el triángulo de bordes verdes, en la posición de las 3 en punto.
7. Toque "Record" (Registrar).

Nota:

Deje la unidad de medición en la posición 3 para realizar correcciones horizontales en directo.



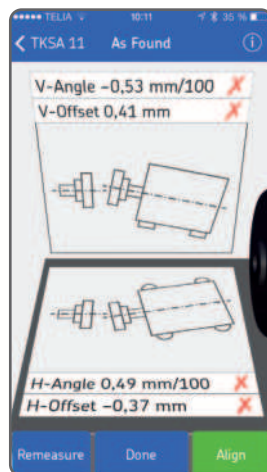
3.10 Resultados de la medición “As found” (como se encontró)

Los resultados de desalineación angular y “offset” (compensación) paralela de los ejes o planos verticales y horizontales se muestran en una vista combinada. Los gráficos muestran la posición del equipo desde las vistas lateral y frontal.

Los valores se comparan con las tolerancias seleccionadas y los símbolos a la derecha indican si los valores están dentro de la tolerancia.

Dentro de la tolerancia: ✓

Fuera de tolerancia: ✗



a. Remeasure (Repetir medición)

Si se necesita, seleccione “Remeasure” (Repetir medición) para cancelar los resultados y realizar una nueva serie de mediciones.

b. Done (Listo)

Acepte los resultados y vaya al menú principal. Se crea un informe.

Nota:

Es posible reanudar la alineación después de seleccionar “Done” (Listo).

c. Align (Alinear)

Realice la corrección vertical y horizontal.

El botón verde “Align” (Alinear) indica que algunos valores están fuera de tolerancia y se necesita corrección.

3.11 Uso de chapas calibradas

Si los resultados verticales están fuera de tolerancia, es necesario corregir el valor agregando o retirando chapas calibradas. El sistema calcula los valores de corrección de las patas. Las flechas muestran si se deben agregar o retirar chapas calibradas.

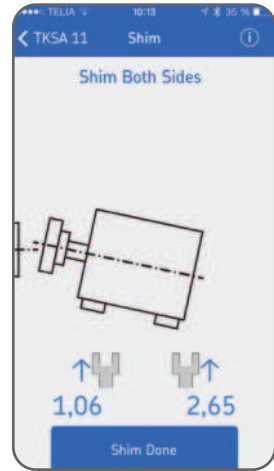
Los valores de las chapas calibradas son fijos, no directos. Haga click en “Shim Done” (Corrección con chapas calibradas lista) una vez que se corrigió.

Nota:

Se deben colocar chapas calibradas en el **par** de patas frontales y traseras.
“Shim both sides” (Coloque chapas calibradas en ambos lados).

Nota:

Si aparece el botón “Shim Done” (Corrección con chapas calibradas lista) en verde, no se requiere colocar chapas calibradas.



3.12 Corrección horizontal

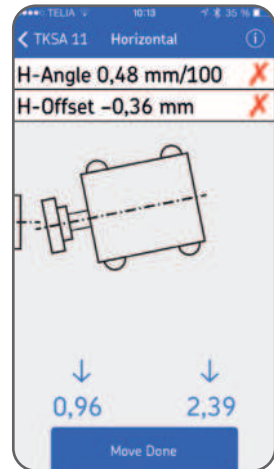
1. Asegúrese de que la unidad esté posicionada en las 3 en punto. En función de los valores de desalineación angular y compensación, el sistema calcula valores de corrección en directo de las patas del equipo móvil.
2. Mueva el equipo en dirección horizontal según las flechas; los gráficos y los valores de desalineación angular y compensación se actualizan de manera continua.

Nota:

Si la unidad está fuera de la posición de las 3 en punto por más de $\pm 5^\circ$, la pantalla se oscurece y los valores de corrección de las patas se ponen en blanco. Gire los ejes a la posición de las 3 en punto para los valores en directo.

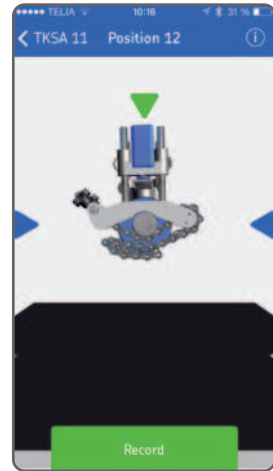
Puede tocar la “i” en la parte superior derecha de la pantalla para ver el ángulo de rotación actual y pasar a -90° .

3. Cuando esté conforme con la alineación, ajuste los pernos y observe los valores para asegurarse de que permanezcan dentro de la tolerancia.
4. Cuando el equipo está dentro de la tolerancia, el botón “Move Done” (Movimiento listo) aparece en verde.



3.13 Verificar la alineación

Para verificar la alineación, el sistema le pide que repita el procedimiento de medición.
Este paso es obligatorio.

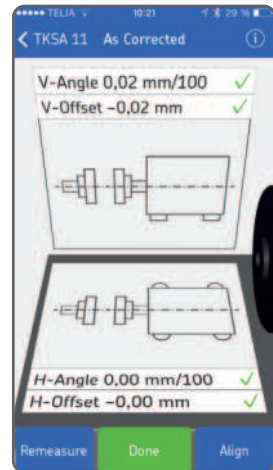


3.14 Resultados de la medición “As corrected” (según corrección)

Cuando el botón “Done” (Listo) aparece en verde, los equipos están alineados dentro de las tolerancias seleccionadas.

Si no es así, toque “Align” (Alinear) para corregir la desalineación.

Toque “Done” (Listo) para salir de la pantalla principal y para que se cree automáticamente un informe.



3.15 Informe

Los informes se generan automáticamente como archivos en pdf y se visualizan en el menú principal como íconos. Si se toca una línea del informe, este se abre. Dentro de los informes, se puede agrandar y achicar. Para editar, debe tocar un informe abierto.



Para copiar, imprimir y enviar por correo un informe.

a. Edit Report (Editar informe)

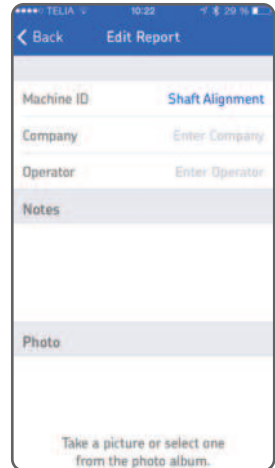
El informe contiene información de las mediciones y se puede completar con información adicional. Toque el campo que desee editar.

b. Notes (Notas)

Ingrese aquí comentarios adicionales.

c. Signature (Firma)

Toque el campo Signature (Firma) y escriba su firma. Si se modifica el informe, la firma se elimina automáticamente.



4. Especificaciones técnicas

Datos técnicos	
Designación	TKSA 11
Descripción	Alineador de ejes SKF TKSA 11

Unidad de medición (UM)	
Tipo de sensores	2 × sensores de proximidad inductivos
Inclinómetros electrónicos	Sí
Comunicación inalámbrica	Bluetooth 4.0 baja energía
Rango de comunicación	>10 m (>11 yardas)
Material de la carcasa	plástico PC/ABS
Colores	azul SKF
Dimensiones	105 × 55 × 55 mm (4.1 × 2.2 × 2.2 pulg.)
Peso	155 g (0.34 lb)
Barras de referencia	3 × 100 mm, 150 mm, 200 mm (3.9 pulg., 5.9 pulg., 7.9 pulg.) provistas
Material de las barras de referencia	Acero niquelado

Rendimiento	
Distancia de medición del sistema	0 a 185 mm (0 a 7.3 pulg.) entre soportes
Rango de medición de sensores	5 mm (0.2 pulg.)
Errores de medición	Menos que 2%
Resolución	10 μm (0.4 mils)
Resolución del inclinómetro	±0,1°
Precisión del inclinómetro	±0,5°

Dispositivo de funcionamiento	
Dispositivos de funcionamiento compatibles	iPad mini recomendados iPad, iPod touch, iPhone SE, Galaxy o superior (no todos están incluidos)
Dispositivo de funcionamiento	TKSA 11: No incluido
Actualización del software/ de la aplicación	A través de Apple AppStore y Google Play Store
Requisitos del sistema operativo	Apple iOS 9 o Android OS 10 (y superiores)

Soportes del eje	
Portapiezas	2 × soportes en V con cadenas
Material	Aluminio anodizado
Diámetros de eje	20 a 160 mm de diámetro (0.8 a 5.9 pulg.)
Altura máx. recom. del acoplamiento	55 mm (2.2 pulg.) con varillas estándares de 80 mm
Soportes en V - ancho de la base	15 mm (0.6 pulg.)
Longitud de las cadenas	480 mm (18.9 pulg.) provistas (opcional: cadenas de prolongación)
Varillas	2 × varillas por soporte de 80 mm (3.1 pulg.)

Características	
Método de alineación	3 × mediciones según método de alineación de las 9-12-3 en punto
Corrección vertical (chapas calibradas)	Sí
Corrección horizontal en directo	Sí
Informe	Informe automático en pdf
Cámara digital	Sí, si está disponible en el dispositivo operativo
Tapa de orientación de la pantalla	Solo modo vertical

Batería y potencia	
Batería de la UM	1 900 mAh batería de litio polímero recargable
Tiempo de funcionamiento de la UM	Hasta 18 horas de funcionamiento continuo
Adaptador de potencia	Carga mediante micropuerto USB (5 V). Se provee cable de carga micro USB a USB. Compatible con cargadores USB de 5 V (no se incluyen)
Tiempo de carga del sistema	4 horas (con suministro de 1 A), 90% en 2 horas

Tamaño y peso	
Dimensiones del maletín de transporte	360 × 110 × 260 mm (14.2 × 4.3 × 10.2 pulg.)
Peso total (incl. maletín)	2,1 kg (4.6 lb)

Requisitos de funcionamiento	
Temperatura de funcionamiento	0 °C a +45 °C (32 a 113 °F)
Temperatura de almacenamiento	-20 °C a +70 °C (-4 °F a +158 °F)
Humedad relativa	10% a 90% HR sin condensación
Calificación IP	IP 54 para la unidad de medición (IP 67 para las sondas)

Contenido del maletín	
Certificado de calibración	Se provee con 2 años de validez
En el maletín	1 × unidad de medición TKSA 11
	3 × barras de referencia
	2 × soportes de eje con cadenas
	1 × cable de carga micro USB a USB
	1 × 2 m cinta de medición, medidas métricas e imperiales
	1 × certificado impreso de calibración y conformidad
	1 × Guía de Referencia Rápida impresa (idioma inglés)
	1 × maletín de transporte SKF

Accesorios	
Designación	Descripción
TKSA 11-EBK	2 × soportes extensibles con varillas desmontables de 120 mm + 80 mm (no se provee cadena)
Accesorios del TKSA 51 que también son compatibles con el TKSA 11	
TKSA 51-EXT50	1 × soporte descentrado de 50 mm (2 pulg.) con 2 varillas de 80 mm (3.2 pulg.)
TKSA 51-EXTCH	2 × cadenas de extensión de 1 m (39.4 pulg.) para ejes de hasta 450 mm (17.7 pulg.) de diámetro
TKSA 51-ROD120	4 × varillas de extensión roscadas de 120 mm (4.7 pulg.)
TKSA 51-ROD80	4 × varillas de extensión roscadas de 80 mm (3.2 pulg.)
TKSA 51-SLDBK	1 × soporte regulable deslizante (sin varillas) para utilizar con eje >30 mm (1.2 pulg.) u orificio >120 mm (4.7 pulg.)
TKSA 51-SPDBK	1 × soporte de husillo con 2 varillas de 80 mm (3.2 pulg.)

Piezas de repuesto	
Designación	Descripción
TKSA 11-MBH	1 × soporte de barras magnético
TKSA 11-RB	1 × juego de barras de referencia (100 mm, 150 mm, 200 mm)
TKSA 11-VBK	1 × soporte de cadena estándar, que incluye varillas de 80 mm y 1 × cadena estándar de 480 mm
TDTC 1/B	Gaja de herramientas genérica sin forma interior, tamaño B
Piezas de repuesto del TKSA 51 que también son compatibles con el TKSA 11	
TKSA 51-VBK	1 × soporte estándar de cadena con varillas roscadas de 80 mm (3.2 <i>pulg.</i>) y 1 cadena estándar de 480 mm (18.9 <i>pulg.</i>), con 4 imanes

Indice

Dichiarazione di conformità CE	116
Norme di sicurezza.....	117
1. Introduzione.....	118
1.1 Panoramica sull'allineamento albero	118
1.2 Principio di funzionamento.....	119
1.3 Metodo di misurazione.....	120
2. L'unità di misurazione.....	121
2.1 Descrizione	121
2.2 Impiego dell'unità di misurazione	122
2.3 Montare le staffe a V	123
2.4 Fissare la barra	124
2.5 Montare l'unità di misurazione	124
2.6 Montaggio diretto sugli accoppiamenti.....	126
3. Utilizzo dell'App.....	127
3.1 Dispositivi display compatibili.....	127
3.2 Installazione delle app	127
3.3 Modalità demo	128
3.4 Menù principale	128
3.5 Settings (Impostazioni)	129
3.7 Machine information (Informazioni macchina).....	130
3.8 Sensor status (Stato sensore).....	132
3.9 Measurements (Misurazioni).....	133
3.10 Risultati di misurazione "As found" (Come rilevato).....	135
3.11 Spessoramento	136
3.12 Correzione Horizontal (Orizzontale)	136
3.13 Verificare l'allineamento	137
3.14 Risultati di misurazione "As corrected" (Come corretto)	137
3.15 Report.....	138
4. Specifiche tecniche	139

Dichiarazione di conformità CE

TKSA 11

Noi, SKF Maintenance Products, Meidoornkade 14, 3992 AE Houten, Paesi Bassi dichiariamo sotto la nostra responsabilità con la presente che i prodotti descritti in queste istruzioni per l'uso sono conformi alle condizioni delle seguenti direttive:

DIRETTIVA APPARECCHIATURE RADIO 2014/53/UE

DIRETTIVA RoHS (EU) 2015/863

e sono conformi ai seguenti standard:

EN 61010-1:2010

EN IEC 63000:2018: Documentazione tecnica necessaria per la valutazione dei materiali, dei componenti e delle apparecchiature elettriche ed elettroniche in relazione alla restrizione dell'uso di determinate sostanze pericolose.

Emissions and immunity:

EN 61326-1:2013 Classe B, attrezzatura del gruppo 1,
industrial immunity test requirements

EMC:

IEC 61000-4-3:2006 – Radiated Radio Frequency Fields

IEC 61000-4-2:2009 – ESD

EN 301 489-1 V2.1.1 – Electromagnetic compatibility and Radio spectrum Matters

EN 301 489-1 clause 9.2 – Radiated RF immunity (enclosure)

EN 301 489-17 v3.1.1

EN 300 328 v2.1.1

Il dispositivo è conforme alla Normativa FCC, Parte 15

ID FCC: Q0QBLE112

Numero certificazione: IC: 5123A-BGTBLE112

Nome produttore, Nome commerciale o Marchio: bluegiga

Modello: BLE112-A

Houten, Paesi Bassi, Gennaio 2024



Guillaume Dubois
Responsabile Qualità e Conformità





Norme di sicurezza

- Le istruzioni complete per l'uso sono disponibili sul sito SKF.com e nell'App SKF TKSA 11.
- Prima di maneggiare e utilizzare lo strumento, leggere e attenersi a tutte le avvertenze. In caso di mancata osservanza delle precauzioni di sicurezza, esiste il rischio di lesioni gravi e danneggiamento di dispositivo e dati
- Leggere sempre e attenersi alle istruzioni per l'uso.
- Indossare indumenti adatti. Non indossare indumenti ampi o gioielli. Tenere capelli, indumenti e guanti lontano da parti in movimento.
- Non sporgersi o sbilanciarsi. Mantenere sempre la posizione e l'equilibrio per consentire un migliore controllo del dispositivo in caso di situazioni impreviste.
- Utilizzare dispositivi di protezione personali. A seconda delle condizioni indossare scarpe antiscivolo, elmetto o protezioni auricolari.
- Non eseguire interventi su attrezzature sotto tensione, se non autorizzati dall'ente di competenza. Disattivare sempre l'alimentazione della macchina prima di procedere con le attività.
- Maneggiare il dispositivo con cura e proteggerlo da urti e sollecitazioni, poiché in caso contrario la garanzia verrà invalidata.
- Evitare il contatto diretto con acqua, superfici umide o umidità da condensa.
- Non tentare di aprire il dispositivo.
- Utilizzare esclusivamente accessori consigliati da SKF.
- La manutenzione sul dispositivo deve essere eseguita esclusivamente da personale qualificato per le riparazioni di SKF.
- Si consiglia di calibrare il dispositivo ogni 2 anni.



1. Introduzione

1.1 Panoramica sull'allineamento albero

Il disallineamento albero è una delle cause principali che contribuiscono ai cedimenti macchina prematuri, ma anche una di quelle che possono essere evitate più facilmente. Quando una macchina viene messa in servizio senza un allineamento ottimale, è probabile che si verifichino le seguenti condizioni:

- Prestazioni macchina inefficienti
- Maggiore consumo di potenza
- Aumento dei livelli di rumorosità e vibrazione
- Usura prematura dei cuscinetti
- Deterioramento accelerato di tenute meccaniche e statiche
- Maggiore usura degli accoppiamenti
- Aumento dei fermi macchina non programmati

Un allineamento adeguato si ottiene quando gli assi di tutti gli alberi sono collineari, mentre la macchina è sotto carico e a temperature di esercizio normali. Questa condizione viene spesso definita allineamento albero-albero. Se gli alberi di un treno macchine non sono collineari, quando la macchina è in funzione si avrà un disallineamento.

In sostanza, l'obiettivo è ottenere una linea retta attraverso i centri di tutti gli alberi delle macchine.

L'allineatore per alberi SKF serie TKSA 11 è un dispositivo wireless che offre un metodo semplice e preciso per l'allineamento degli alberi di sistemi di azionamento (ad es. un motore elettrico) e sistemi azionati (ad es. una pompa).

1.2 Principio di funzionamento

Due sensori di prossimità induttivi, senza contatto misurano la variazione della distanza tra i sensori e la barra di riferimento. I sensori sono montati in maniera solidale nell'unità di misurazione a una distanza fissa tra loro. L'unità di misurazione viene fissata saldamente all'albero sul lato macchina mobile, mentre la barra di riferimento viene bloccata in posizione sull'albero, mediante un supporto magnetico, sul lato macchina fisso.

Durante la procedura, le misurazioni vengono rilevate in tre posizioni a 90° di distanza, note come posizione a ore 9, a ore 12 e a ore 3.

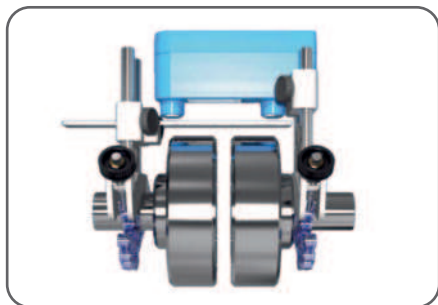
Mentre gli alberi vengono ruotati su una traiettoria ad arco, i disallineamenti paralleli o angolari presenti inducono i sensori a misurare lo scostamento di posizione rispetto alla barra di riferimento.

Le informazioni sul posizionamento per l'unità di misurazione vengono comunicate in modalità wireless al dispositivo iOS, che calcola l'entità del disallineamento albero e consiglia regolazioni di correzione per i piedi macchina.

Se gli alberi di un treno macchine non sono collineari, quando la macchina è in funzione, per definizione sono disallineati.

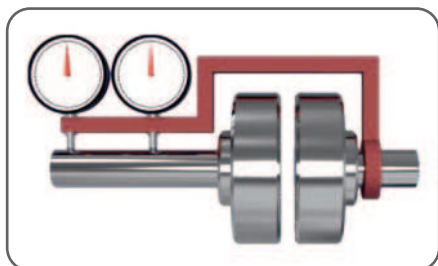
1.3 Metodo di misurazione

L'unità TKSA 11 misura due disassamenti (offset) su due punti separati. La barra di riferimento funge da prolunga per uno degli alberi. Applica il principio del metodo radiale doppio.



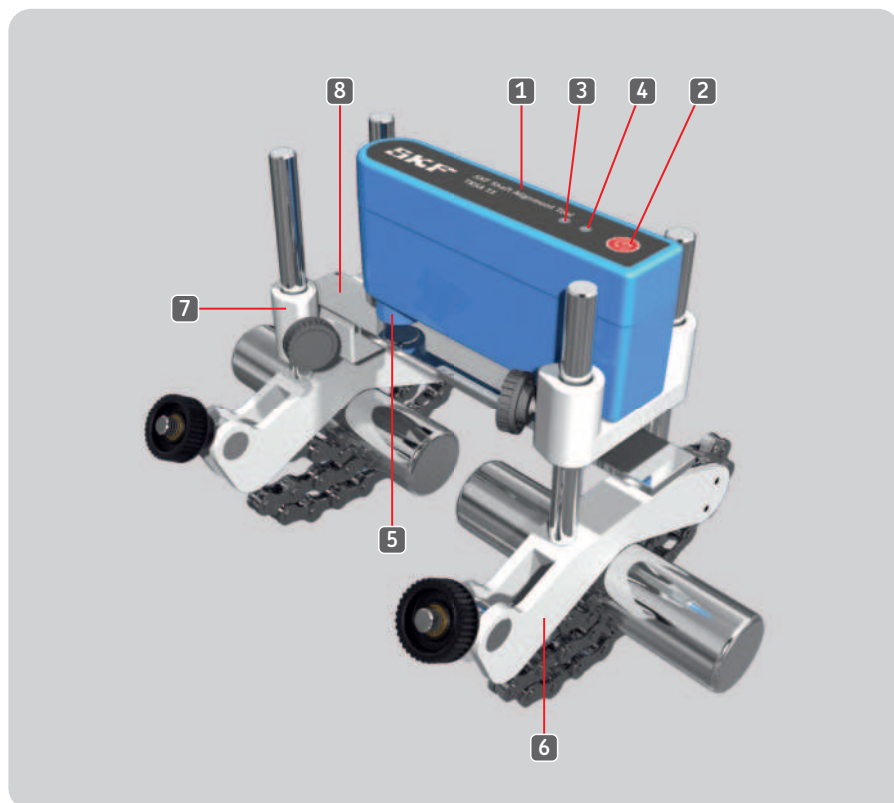
Metodo radiale doppio

Misura due disassamenti in due punti. Diversamente dal TKSA 11, di norma, non c'è mai una porzione di albero esposta abbastanza grande da consentire il posizionamento degli indicatori a una distanza sufficiente.



2. L'unità di misurazione

2.1 Descrizione



1. Unità di misurazione	5. Due sensori di prossimità induttivi
2. Tasto ON/OFF	6. Staffa a V con catena di bloccaggio
3. LED blu di connessione	7. Supporto barra magnetica
4. LED rosso/verde di stato	8. Barra di riferimento

L'unità di misurazione TKSA 11 è dotata di una batteria ricaricabile, una porta di ricarica e una scheda a circuiti stampati.

Nota:

l'unità di misurazione è un dispositivo robusto e NON presenta parti mobili.

2.2 Impiego dell'unità di misurazione

- Accendere l'unità premendo il tasto "Power" (accensione) sulla parte superiore della stessa.
- Tenere premuto il pulsante per tre secondi per spegnerla.
- Il LED di stato diventa verde quando l'unità viene accesa.
- Il LED di connessione diventa blu quando l'unità è connessa all'App attraverso il Bluetooth.



Ricaricare le unità di misurazione quando l'App indica che la batteria è scarica.

- Inserire il cavo del caricabatterie nel connettore nella parte inferiore dell'unità e l'altra estremità in un caricabatterie USB standard (max 1A) o in una porta USB del computer.
- Il LED rosso indica che la batteria è in carica, quando l'unità è spenta.
- Quando la batteria è completamente carica, il LED si spegne (sono necessarie circa 4 ore per una ricarica completa).

Nota:

con un adattatore di alimentazione da 5W, l'unità si può ricaricare al 90% in 2 ore.



2.3 Montare le staffe a V

La staffa a V con un supporto barra magnetica montato su asta viene fissata sull'albero macchina fisso.

Nota:

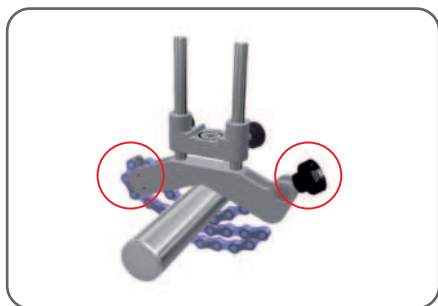
Il lato fisso (S) è il lato macchina che non viene regolato e, di norma, è il sistema azionato, ad es. una pompa.



Per alberi con diametro < 40 mm agganciare la catena al dispositivo di ancoraggio nella staffa a V dall'interno.

Per diametri di dimensioni maggiori, agganciare la catena dall'esterno.

Eliminare il gioco della catena e fissarla saldamente agendo sulla manopola di tensionamento.



Fissare l'altra staffa all'albero macchina mobile, ovvero, di norma, il sistema di azionamento, ad es. un motore elettrico. Possibilmente mantenere le staffe a breve distanza sull'albero.



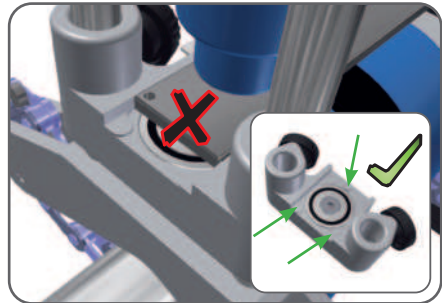
2.4 Fissare la barra

Posizionare la barra più corta in grado di raggiungere le staffe albero sul supporto barra di riferimento della staffa a V. Regolare la posizione sulle aste a un livello basso. La barra non deve essere a contatto con nessun altro componente eccetto la staffa, durante la rotazione dell'albero. Serrare la staffa a V in posizione agendo sulle manopole di bloccaggio.



Importante:

Il supporto barra di riferimento è dotato di tre superfici di appoggio accanto al magnete. La barra deve coprire **tutte e tre le superfici** di supporto per consentire un montaggio sicuro e misurazioni accurate.



Nota sul gioco della barra di riferimento:

La barra di riferimento può essere spostata perpendicolarmente rispetto alla direzione di misurazione.

Le tolleranze per la planarità delle superfici di appoggio contribuiscono ad assicurare una precisione sufficiente.

2.5 Montare l'unità di misurazione

Montare l'unità di misurazione sulle aste sul lato mobile.

Regolare la distanza tra i sensori di prossimità induttivi e la barra di riferimento a circa 3mm ($\frac{1}{8}$ pollici).

La schermata "Sensor status" (Stato sensore) nell'App indica la distanza corretta.



Consigli di montaggio:

Tutte le barre di riferimento hanno uno spessore 3 mm (0.12 pollici) e si possono utilizzare come spessimetri. Posizionare una seconda barra di riferimento sulla prima. Regolare l'unità di misurazione sulle aste, in modo che il sensore sia a contatto con la seconda barra. Fissare la posizione agendo sulla manopola di bloccaggio, rimuovere il secondo "spessimetro" e avvitare saldamente le due manopole di arresto.



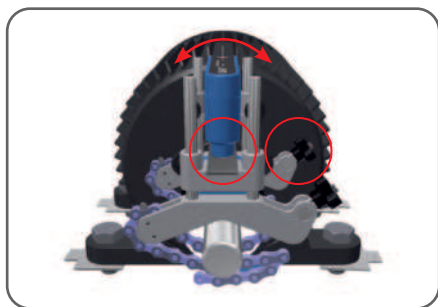
Allineare le staffe dell'albero e serrarle a fondo agendo sulle manopole di tensionamento.

Consiglio di montaggio:

Allineare i sensori nel centro della barra.

Consiglio di misurazione:

Assicurarsi che l'unità di misurazione e la barra di riferimento restino allineate durante le misurazioni, come mostrato nell'immagine.

**Nota:**

Assicurarsi che la barra di riferimento copra i due sensori di prossimità induttivi.

2.6 Montaggio diretto sugli accoppiamenti

Nel caso di accoppiamenti con ampia variazione del diametro albero e accoppiamento, potrebbe non essere possibile montare il sistema sugli alberi.

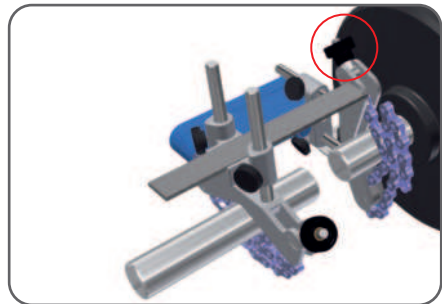
In questi casi, montare le staffe a V sull'accoppiamento. La precisione del sistema non viene compromessa anche se la distanza tra le staffe albero è di piccola entità. (La figura mostra le catene agganciate dall'esterno).

Accessori di montaggio:

Come accessori sono disponibili staffe a V con aste più lunghe (120 mm più 80 mm) e catene di prolunga.

Consiglio di montaggio:

Di norma, la barra passa attraverso le aste su entrambe le staffe a V. Quando si eseguono misurazioni su macchine disaccoppiate, assicurarsi che la barra non sporga dalla staffa sull'albero. In questo modo è possibile ruotare un albero alla volta.



3. Utilizzo dell'App

3.1 Dispositivi display compatibili

- iPad mini
- iPad, iPod touch, iPhone SE, Galaxy o versioni successive (nessuno incluso)

3.2 Installazione delle app

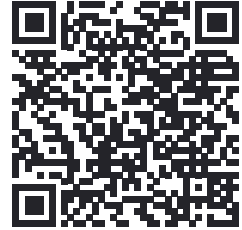
1. Attivare il Wi-Fi e connettersi alla rete Internet
2. Selezionare l'icona App Store (iOS)



o Google Play Store (Android)



3. Selezionare l'area di ricerca
4. Inserire "SKF TKSA 11"
5. Selezionare l'app che si desidera installare
6. Selezionare "GET" (solo iOS) e quindi "INSTALL"



3.3 Modalità demo

L'App offre una modalità "Demo Mode" che consente di utilizzare la maggior parte della funzionalità senza l'unità di misurazione.

La modalità "Demo" è disponibile nella schermata "Impostazioni" e nella schermata di selezione unità, quando non è collegata nessuna unità di misurazione.

3.4 Menù principale

a. New Alignment (Nuovo allineamento)

Selezionare il segno più "+" al centro, per iniziare un nuovo allineamento.

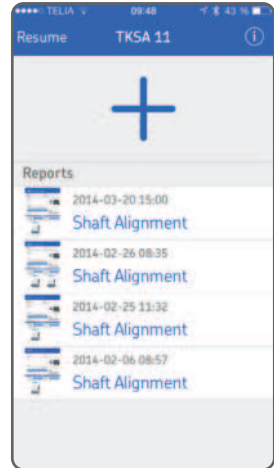
Se è in corso un allineamento, il sistema chiederà se si desidera recuperarlo oppure iniziarne uno nuovo.

b. Resume (Recupera)

Continua a eseguire l'allineamento iniziato in precedenza.

c. Menù informazioni "i"

Permette di accedere ai menù "Settings", "Help" e "Legal" (Impostazioni, Guida, Servizi di natura legale)

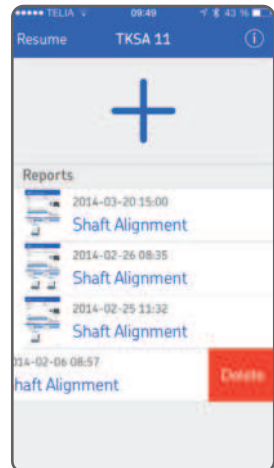


d. Report

I report creati in precedenza vengono visualizzati come elenco con gli ultimi report creati nella parte superiore.

Selezionare un report per visualizzarlo, modificarlo, stamparlo e trasmetterlo.

Per eliminare un report, selezionarlo strisciando il dito da destra a sinistra sulla riga corrispondente. e selezionare il tasto rosso "Delete".(Cancella).



3.5 Settings (Impostazioni)

a. Company and operator (Azienda e operatore)

Aggiungere il nome dell'azienda e dell'operatore.

Queste informazioni vengono visualizzate nel report.

b. Company logo (Logo azienda)

Aggiungere il logo dell'azienda nel report, scattando una foto o selezionandone una dall'album del dispositivo in uso.

c. TKSA 11 hardware (Hardware del TKSA 11)

Selezionare il campo per scegliere un'unità di misurazione.

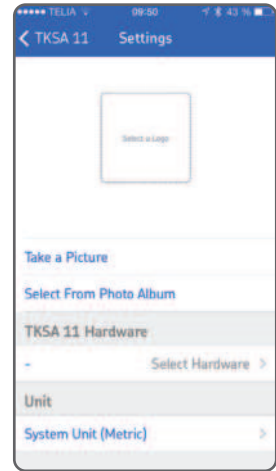
Selezionare annulla per rimuovere un'unità di misurazione collegata.

Se è collegata un'unità di misurazione, viene mostrato il numero di serie.

Si può scegliere anche la modalità Demo.

d. Unit (Unità di misura)

Le unità di misura visualizzate, di norma, si basano sull'unità utilizzata dal sistema, ma è possibile anche scegliere manualmente unità metriche o in pollici.



3.6 Select unit (Seleziona unità)

La comunicazione wireless via Bluetooth stabilisce una connessione tra iPod/iPhone o iPad e l'unità TKSA 11.

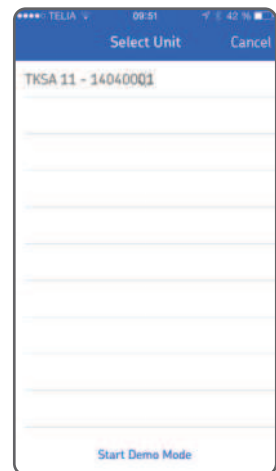
Se nessuna unità è collegata al dispositivo, l'App chiederà di scegliere un'unità di misurazione TKSA o la modalità demo.

Selezionare la riga "TKSA 11 – Serial number" (TKDS 11 - Numero di serie) per scegliere e connettere l'unità di misurazione all'App.

Nota:

Non dimenticare di accendere l'unità TKSA 11.

Assicurarsi che il Bluetooth sia attivato sul dispositivo in uso.



3.7 Machine information (Informazioni macchina)

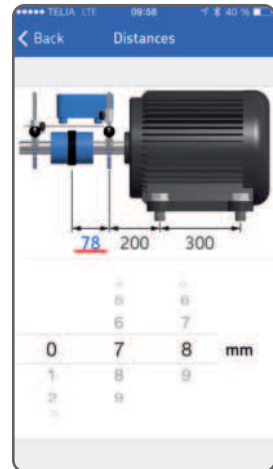
a. Distances (Distanze)

Selezionare l'immagine macchina per accedere e inserire le tre dimensioni macchina, come mostrato.

Selezionare la misurazione desiderata e specificare nuove misurazioni distanza utilizzando la rotella di scorrimento. Di default vengono visualizzate le distanze inserite dal precedente allineamento.

Dato che la distanza tra i sensori è fissa, si devono indicare solo tre distanze.

1. Misurare e inserire la distanza tra il centro dell'accoppiamento e il centro delle aste sul lato mobile.
2. Misurare e inserire la distanza tra le aste del lato mobile e il piede anteriore (centro del piede).
3. Misurare e inserire la distanza tra i piedi posteriori e anteriori (centro dei piedi).



b. Tolerances (Tolleranze)

Selezionare le tolleranze per l'allineamento. La tabella delle tolleranze integrata si basa sulla velocità della macchina da allineare.

Nota:

Le tolleranze sono disponibili sia in dimensioni metriche che imperiali.

c. Machine ID (ID macchina)

Inserire il nome macchina che dovrà essere visualizzato nel report (opzionale).

d. Photo (Foto)

Aggiungere una foto della macchina per il report (opzionale).

e. Soft foot (Piede zoppo)

La condizione di piede zoppo si verifica quanto una macchina non appoggia in maniera uniforme su tutti i piedi. Una situazione analoga a quella di una sedia che traballa su tre piedi.

La condizione di piede zoppo può rendere più complicata la procedura di allineamento. In caso di problemi durante l'allineamento, verificare se sia presente questa condizione e correggerla, se necessario.

Selezionare la riga "Piede zoppo" e leggere i consigli sul modo per misurare e correggere la condizione.

Speed (rpm)	Angular Error (mm/100)	Offset (mm)
1000-2000	0,08	0,10 ✓
2000-3000	0,07	0,07
3000-4000	0,06	0,04
4000-5000	0,05	0,03
5000-6000	0,04	<0,03

3.8 Sensor status (Stato sensore)

La schermata "Sensor Status" viene visualizzata solo quando la distanza tra sensori di prossimità induttivi e barra di riferimento non rientra nella gamma consigliata di $3 \pm 0,5$ mm, oppure quando il livello della batteria dell'unità di misurazione è al di sotto del 10%.

a. Connected and serial number (Connesso e numero di serie)

Indica se il TKSA 11 è connesso e mostra il numero di serie dell'unità.

b. Battery level (Livello batteria)

Indica il livello di carica della batteria interna. Se scende al di sotto del 10%, viene visualizzato un messaggio di avvertimento.

c. Probe distances (mm or mils) (Distanze sonda, mm o millesimi di pollice)

Per ottenere la massima gamma possibile, si consiglia di iniziare la misurazione a una distanza di $3\text{mm} \pm 0,5$ mm tra i sensori e la barra di riferimento. I valori visualizzati in rosso non rientrano nella gamma consigliata. Le due frecce mostrano in che modo regolare l'unità di misurazione nella giusta direzione.



Nota:

Il simbolo di avvertimento in giallo indica che almeno una distanza non rientra nella gamma consigliata.

Nota:

"Stop" visualizzato in rosso indica che i sensori sono troppo distanti o troppo vicini alla barra di riferimento per eseguire una lettura.

Setup assistance (Assistenza per configurazione)

Segnala la causa dell'avvertimento o arresto (stop) e fornisce indicazioni su come risolvere il problema.

d. Rotation angle (Angolo di rotazione)

Visualizza l'angolo di rotazione per l'unità, che può essere utilizzato per il posizionamento di precisione.

3.9 Measurements (Misurazioni)

Le posizioni di misurazione vengono descritte utilizzando l'analogia del quadrante di un orologio.

La prima posizione di misurazione è a ore 9, vista da dietro il sistema mobile.

Le misurazioni devono essere eseguite in successione in tre diverse posizioni (a ore 9, ore 12 e ore 3).

Nota:

Durante la misurazione, non spostare o toccare l'unità di misurazione o la staffa della barra di riferimento o loro aste e non far scorrere la barra sulla sua staffa.

Non utilizzare l'attrezzatura di misurazione come manico per ruotare l'albero.

Posizione a ore (90°)



Posizione a ore (0°)



Posizione a ore (-90°)



a. Procedura di misurazione

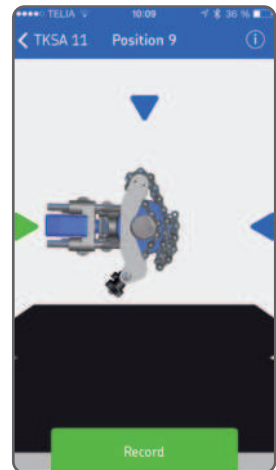
La schermata mostra l'unità di misurazione vista dal sistema mobile.

Un simbolo triangolare indica la posizione richiesta per l'unità di misurazione durante ogni fase.

1. Ruotare l'albero verso il triangolo bordato in verde nella posizione a ore 9.
2. Quando la posizione è entro $\pm 5^\circ$ il simbolo diventa un triangolo verde pieno e il tasto di registrazione diventa verde.
3. Selezionare "Record" (Registra)
4. Ruotare l'albero verso il triangolo bordato in verde nella posizione a ore 12.
5. Selezionare "Record" (Registra)
6. Ruotare l'albero verso il triangolo bordato in verde nella posizione a ore 3.
7. Selezionare "Record" (Registra)

Nota:

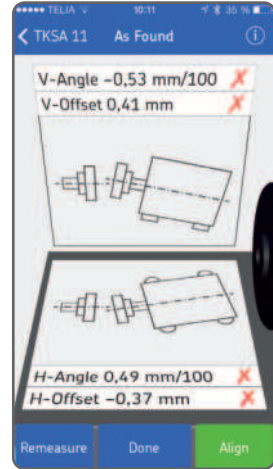
Lasciare l'unità di misurazione nella posizione 3 per eseguire correzioni orizzontali in tempo reale.



3.10 Risultati di misurazione “As found” (Come rilevato)

I risultati per il disassamento (offset) parallelo e il disallineamento angolare per gli assi o piani orizzontale e verticale vengono visualizzati in una schermata combinata. La grafica mostra la posizione della macchina in vista laterale e dall'alto.

I valori vengono confrontati con le tolleranze selezionate e i simboli a destra indicano se i valori rientrano nella tolleranza.
Entro la tolleranza: ✓
Fuori tolleranza: ✗



a. Remeasure (Rimisura)

Se necessario, selezionare “Remeasure” (Rimisura) per cancellare i risultati ed eseguire una nuova serie di misurazioni.

b. Done (Fine)

Selezionare “Done” (Fine) per confermare i risultati e accedere al menù principale. Viene creato un report.

Nota:

Dopo aver selezionato “Done” (Fine) è possibile recuperare l’allineamento.

c. Align (Allinea)

Selezionare “Align” (Allinea) per eseguire correzioni verticali e orizzontali. Il tasto “Align” visualizzato in verde indica che alcuni valori sono fuori tolleranza ed è necessaria una correzione.

3.11 Spessoramento

Se i risultati per l'allineamento verticale sono fuori tolleranza, è necessario correggere il valore aggiungendo o togliendo spessori. Il sistema calcola i valori corretti per i piedi. La freccia indica se è necessario aggiungere spessori oppure toglierli. I valori per gli spessori sono fissi, non in tempo reale. Dopo la correzione, selezionare "Shim Done" (Spessoramento fine).

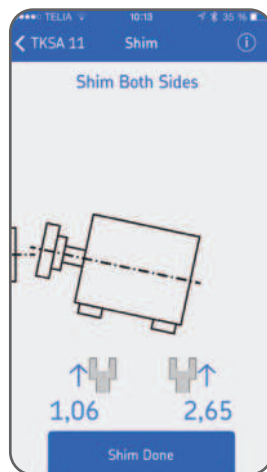
Nota:

Deve essere spessorata **la coppia** di piedi nella parte anteriore e posteriore.

"Shim both sides" (Spessore su ambo i lati)

Nota:

Se il tasto "Shim Done" viene visualizzato in verde, non è necessario procedere allo spessoramento.



3.12 Correzione Horizontal (Orizzontale)

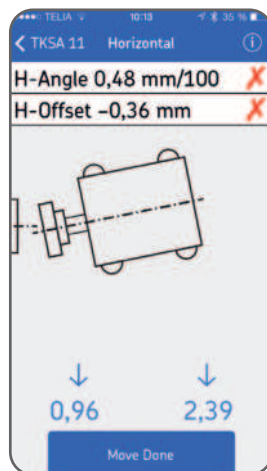
1. Verificare che l'unità sia in posizione a ore 3. In base ai valori per il Disallineamento angolare e il Disassamento (Offset), il sistema calcola in tempo reale i valori di correzione per i piedi del sistema mobile.
2. Muovere la macchina orizzontalmente in base alla frecce. La grafica e i valori per disassamento e disallineamento angolare vengono aggiornati continuamente.

Nota:

Se l'unità è fuori dalla posizione a ore 3 di oltre $\pm 5^\circ$, la schermata e i valori di correzioni per i piedi sono oscurati. Per consentire i valori in tempo reale, ruotare l'albero in posizione a ore 3.

Selezionare la "i" in alto a destra sulla schermata per visualizzare l'attuale angolo di rotazione ed eseguire la rotazione a -90° .

3. Se il risultato dell'allineamento è soddisfacente, serrare i bulloni e verificare i valori per assicurarsi che restino entro la tolleranza.
4. Quando la macchina è nella gamma di tolleranza, il tasto "Fine spostamento" viene visualizzato in verde.



3.13 Verificare l'allineamento

Per verificare l'allineamento, il sistema fa ripetere la procedura di misurazione.

Questa fase è obbligatoria

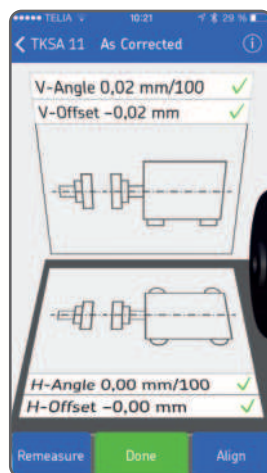


3.14 Risultati di misurazione “As corrected” (Come corretto)

Quando il tasto “Done” (Fine) viene visualizzato in verde, le macchine sono allineate entro le tolleranze selezionate.

In caso contrario, selezionare “Align” (Allinea) per correggere il disallineamento.

Selezionare “Done” per uscire dalla schermata principale e creare automaticamente un report.



3.15 Report

I report vengono creati automaticamente come file PDF e visualizzati come icone nel menù principale.

Per aprire un report selezionare la riga corrispondente. All'interno dei report è possibile utilizzare la funzionalità di zoom avanti e indietro (ingrandimento e rimpicciolimento). Selezionare il report aperto per modificarlo.



Per copiare, stampare e trasmettere il report.

a. Edit report (Modifica report)

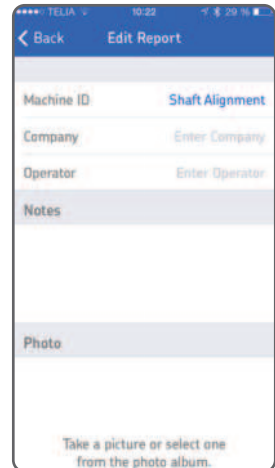
I report contengono informazioni dalle misurazioni e possono essere integrati con informazioni supplementari. Selezionare il campo che si desidera modificare.

b. Notes (Note)

Campo per inserire osservazioni supplementari.

c. Signature (Firma)

Selezionare il campo "Signature" e inserire il proprio nome. Se il report viene modificato, la firma viene cancellata automaticamente.



4. Specifiche tecniche

Dati tecnici	
Denominazione	TKSA 11
Descrizione	Allineatore per alberi SKF serie TKSA 11

Unità di misurazione (UM)	
Tipo di sensori	2 sensori di prossimità induttivi
Inclinometri elettronici	Sì
Comunicazione wireless	Bluetooth 4.0, a basso consumo energetico
Raggio di comunicazione	> 10 m
Materiale alloggiamento	plastica PC/ABS
Colori	blu tradizionale SKF
Dimensioni	105 × 55 × 55 mm
Peso	155 g
Barre di riferimento	3, incluse 100 mm, 150 mm, 200 mm
Materiale barre di riferimento	acciaio nichelato

Prestazioni	
Distanza di misurazione sistema	da 0 a 185 mm tra le staffe
Gamma di misurazione sensori	5 mm
Errori di misurazione	inferiore al 2%
Risoluzione display	10 µm
Risoluzione inclinometro	±0,1°
Precisione inclinometro	±0,5°

Dispositivo operativo	
Dispositivi compatibili	iPad mini, iPad, iPod touch, iPhone SE, Galaxy o versioni successive (nessuno incluso)
Dispositivo operativo	TKSA 11: Non fornito in dotazione
Aggiornamento software /App	Apple AppStore e Google Play Store
Requisiti per il sistema operativo	Apple iOS 9 o Android OS 10 (e versioni successive)

Staffe albero	
Attrezzatura	2 staffe a V con catene
Materiale	Alluminio anodizzato
Diametri albero	da 20 a 160 mm
Max h montaggio consigliata	55 mm con barre standard da 80
Ampiezza base a V staffe	15 mm
Lunghezza catene	480 mm, incluse (catene di prolunga opzionali)
Aste	2 aste per staffa da 80 mm

Caratteristiche	
Metodo di allineamento	3 misurazioni a ore 9-12-3
Correzione verticale (spessoramento)	Sì
Correzione orizzontale in tempo reale	Sì
Report	report .pdf creati automaticamente
Fotocamera digitale	Sì, se disponibile nel dispositivo operativo
Orientamento display	Solo modalità portrait (ritratto)

Batteria e alimentazione	
Batteria UM	batteria in polimero al litio, ricaricabile, da 1 900 mAh
Autonomia UM	fino a 18 ore di utilizzo continuativo
Adattatore di alimentazione	ricarica via porta USB micro (5V) Cavo per ricarica da USB micro a porta USB incluso Compatibile con caricabatterie USB 5V (non incluso)
Tempo di ricarica	4 ore (con alimentazione 1A), 90% in 2 ore

Dimensioni e peso	
Dimensioni valigetta di trasporto	360 × 110 × 260 mm
Peso totale (compresa valigetta)	2,1 kg

Requisiti operativi	
Temperature di esercizio	da 0°C a +45 °C
Temperature di stoccaggio	da -20 °C a +70 °C
Umidità relativa	da 10% a 90% senza produzione di condensa
Categoria IP	IP 54 per l'unità di misurazione (IP 67 per le sonde)

Contenuto del kit	
Certificato di calibratura	incluso con 2 anni di validità
Contenuto della valigetta	1 unità di misurazione TKSA 11
	3 barre di riferimento
	2 staffe per albero con catene
	1 cavo per ricarica da USB micro a porta USB
	2 m di nastro per misurazioni con sistema metrico e imperiale
	1 certificato di calibratura e conformità stampato
	1 guida rapida d'impiego stampata
	1 valigetta di trasporto SKF

Accessori	
Denominazione	Descrizione
TKSA 11-EBK	2 × staffe estensibili con aste rimovibili da 120 mm + 80 mm (catena non inclusa)
Accessori per TKSA 51 che sono anche compatibili con il TKSA 11	
TKSA 51-EXT50	1 × Staffa per disassamento (offset) da 50 mm con 2 × aste da 80 mm
TKSA 51-EXTCH	2 × Catene di prolunga da 1 m per alberi con diametro fino a 450 mm
TKSA 51-ROD120	4 × Aste di prolunga filettate da 120 mm
TKSA 51-ROD80	4 × Aste di prolunga filettate da 80 mm
TKSA 51-SLDBK	1 × Staffa scorrevole regolabile (nessuna asta) per l'impiego con alberi > 30 mm o fori > 120 mm
TKSA 51-SPDBK	1 × Staffa mandrino con 2 × aste da 80 mm

Ricambi	
Denominazione	Descrizione
TKSA 11-MBH	1 × Supporto barra magnetica
TKSA 11-RB	1 × Kit barre di riferimento (100 mm, 150 mm, 200 mm)
TKSA 11-VBK	1 × Staffa per catena standard con aste da 80 mm e 1 × catena standard da 480 mm
TDTC 1/B	Valigetta senza sagomatura interna in formato B
Ricambi per TKSA 51 che sono anche compatibili con il TKSA 11	
TKSA 51-VBK	1 × Staffa con catena standard, compr. aste filettate da 80 mm e 1 × catena standard da 480 mm, compr. 4 × magneti

Conteúdo

Declaração de conformidade EC.....	144
Recomendações de segurança	145
1. Introdução.....	146
1.1 Visão geral de alinhamento de eixo	146
1.2 Princípio de operação.....	147
1.3 Método de medição	148
2. A unidade de medição.....	149
2.1 Descrição.....	149
2.2 Manuseio da unidade de medição.....	150
2.3 Montagem dos suportes em V.....	151
2.4 Fixação da barra	152
2.5 Montagem da unidade de medição.....	152
2.6 Montagem direta nos acoplamentos	154
3. Uso do aplicativo	155
3.1 Dispositivos de display compatíveis.....	155
3.2 Instalação de aplicativos	155
3.3 Modo de demonstração	156
3.4 Menu principal	156
3.5 Settings (Configurações).....	157
3.6 Select unit (Selecionar unidade).....	157
3.7 Machine information (Informações da máquina)	158
3.8 Sensor status (Status do sensor)	160
3.9 Medições	161
3.10 Resultados de medição “As found” (Como encontrado).....	163
3.11 Shimming (Calçamento)	164
3.12 Correção horizontal	164
3.13 Verificação do alinhamento	165
3.14 Resultados de medição “As corrected” (Como corrigido).....	165
3.15 Relatório.....	166
4. Especificações técnicas	167

Declaração de conformidade UE

TKSA 11

A SKF Maintenance Products, Meidoornkade 14, 3992 AE Houten, Holanda, declara, por meio desta e sob sua inteira responsabilidade, que os produtos a seguir, referentes a esta declaração, estão de acordo com as condições descritas na(s) seguinte(s) Diretiva(s):

DIRETIVA DE EQUIPAMENTOS DE RÁDIO 2014/53/UE

DIRETIVA RoHS (UE) 2015/863

e estão em conformidade com as seguintes normas:

EN 61010-1:2010

EN IEC 63000:2018: Documentação técnica para avaliação de produtos elétricos e eletrônicos com relação à restrição de substâncias perigosas.

Emissions and immunity:

EN 61326-1:2013 Classe B, equipamento do Grupo 1,
industrial immunity test requirements

EMC:

IEC 61000-4-3:2006 – Radiated Radio Frequency Fields

IEC 61000-4-2:2009 – ESD

EN 301 489-1 V2.1.1 – Electromagnetic compatibility and Radio spectrum Matters

EN 301 489-1 clause 9.2 – Radiated RF immunity (enclosure)

EN 301 489-17 v3.1.1

EN 300 328 v2.1.1

O dispositivo em anexo está em conformidade com a parte 15 dos
Regulamentos da FCC.

Contém ID da FCC: QOQBLE112

Número de certificação: IC: 5123A-BGTBLE112

Nome do fabricante, nome comercial ou da marca: bluegiga

Nome do modelo: BLE112-A

Houten, Holanda, janeiro de 2020



Guillaume Dubois
Gerente de Qualidade e Conformidade





Recomendações de segurança

- As instruções completas de uso estão disponíveis na SKF.com e no aplicativo SKF TKSA 11.
- Leia e siga todos os avisos contidos neste documento, antes de manusear e operar o equipamento. Você pode se ferir gravemente e o equipamento e os dados podem ser danificados, caso você não seguir os avisos de segurança.
- Sempre leia e siga as instruções operacionais.
- Vista-se adequadamente. Não use joias ou roupas largas. Mantenha o seu cabelo, luvas e roupas longe de peças móveis.
- Não se estique demais. Mantenha os pés apoiados e o equilíbrio adequado durante todo o tempo para permitir um melhor controle do dispositivo durante situações inesperadas.
- Use equipamentos de segurança. Sapatos de segurança antiderrapantes, capacete e protetores auriculares devem ser usados em condições apropriadas.
- Nunca trabalhe em equipamentos energizados, a menos que autorizado por uma autoridade responsável. Sempre desligue a máquina, antes de iniciar o seu trabalho.
- Não exponha o equipamento ao manuseio inadequado ou a impactos, isso invalidará a garantia.
- Evite contato direto com água, superfícies molhadas ou umidade de condensação.
- Não tente abrir o aparelho.
- Use apenas acessórios recomendados pela SKF.
- A manutenção do aparelho deve ser realizada somente por pessoal qualificado de reparos da SKF.
- Recomendamos calibrar a ferramenta a cada dois anos.



1. Introdução

1.1 Visão geral de alinhamento de eixo

O desalinhamento de eixo é um dos fatores mais importantes, e também um dos fatores mais passíveis de prevenção, de causa de falhas prematuras de máquinas. Quando uma máquina é colocada em funcionamento com um alinhamento de eixo aquém do ideal, aumentam as possibilidades de ocorrência das seguintes condições:

- Baixo desempenho da máquina
- Maior consumo de energia
- Maior ruído e vibração
- Desgaste prematuro dos rolamentos
- Deterioração acelerada das vedações, gaxetas e vedações mecânicas
- Níveis de desgaste de acoplamento mais altos
- Maior tempo de parada não programada

O alinhamento correto é obtido quando as linhas centrais de cada eixo são colineares e quando a máquina apresenta carga e temperaturas operacionais normais. Isso costuma ser chamado de alinhamento de eixo a eixo. Se os eixos de um trem da máquina não forem colineares, quando a máquina estiver em operação, eles serão desalinhados.

Em suma, o objetivo é ter uma linha reta através dos centros de todos os eixos das máquinas.

A ferramenta para alinhamento de eixo SKF TKSA 11 é uma ferramenta para alinhamento de eixo sem fio que permite um método fácil e preciso de alinhamento dos eixos de uma máquina de condução (por exemplo, um motor elétrico) e de uma máquina acionada (por exemplo, uma bomba).

1.2 Princípio de operação

Dois sensores de proximidade indutivos e sem contato medem a variação da distância entre os sensores e a barra de referência. Os sensores são montados com firmeza na unidade de medição e são separados por uma distância fixa.

A unidade de medição é firmemente presa ao eixo na lateral móvel da máquina. A barra de referência é firmemente presa ao eixo na lateral fixa da máquina através de um suporte magnético.

Durante o procedimento de medição, as medições são feitas em três posições, cada uma separada por 90°, conhecidas como medições de 9, 12 e 3 horas.

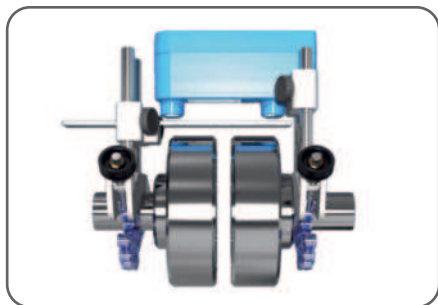
Como os eixos são girados por um arco, qualquer desalinhamento paralelo ou angular faz com que os dois sensores meçam a diferença em sua posição em relação à barra de referência.

Informações sobre o posicionamento da unidade de medição são comunicadas sem fio ao dispositivo iOS, que calcula o valor do desalinhamento de eixo e recomenda os ajustes corretivos dos pés da máquina.

Se os eixos de um trem da máquina não forem colineares quando a máquina estiver em operação, eles serão, por definição, desalinhados.

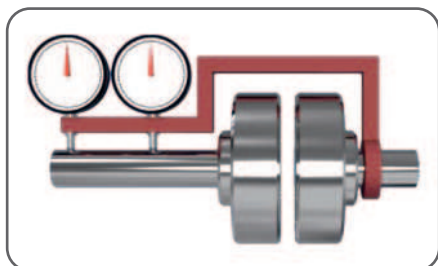
1.3 Método de medição

A unidade de medição TKSA 11 mede dois deslocamentos em dois pontos separados. A barra de referência atua como uma extensão de um dos eixos. Ela usa o princípio do método radial duplo.



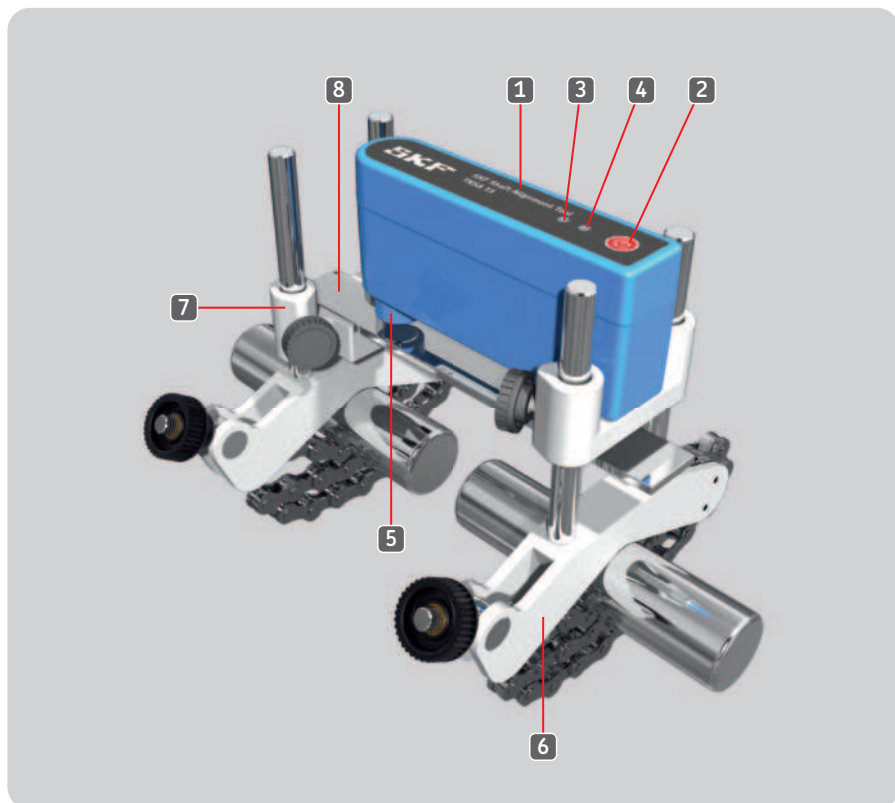
Método radial duplo

Mede dois deslocamentos em dois pontos. Diferentemente do TKSA 11, normalmente não há eixo suficiente exposto para poder espalhar os indicadores longe o suficiente.



2. A unidade de medição

2.1 Descrição



1. Unidade de medição	5. Dois sensores de proximidade indutivos
2. Botão liga/desliga	6. Suporte em V com corrente de travamento
3. LED azul de conexão	7. Suporte magnético da barra
4. LED de status vermelho/verde	8. Barra de referência

A unidade de medição TKSA 11 é equipada com uma bateria recarregável, uma porta de carga e uma placa de circuito impresso.

Observação:

A unidade de medição foi projetada para ser resistente e não contém NENHUMA parte móvel.

2.2 Manuseio da unidade de medição

- Ligue a unidade, pressionando o botão Liga/Desliga na parte superior da unidade.
- Pressione o botão por três segundos para desligar.
- O LED de status fica verde quando a unidade é ligada.
- O LED de conexão ficará azul quando a unidade estiver conectada ao aplicativo via Bluetooth.



Carregue as unidades de medição quando o aplicativo indicar bateria fraca

- Conecte o cabo do carregador no conector na parte inferior da unidade, e a outra extremidade em um carregador USB padrão (1 A máx.) ou em uma porta USB do computador.
- O LED vermelho indicará o carregamento, quando a unidade estiver desligada.
- O LED será apagado quando a bateria estiver totalmente carregada (cerca de quatro horas para uma bateria descarregada).

Observação:

A unidade será carregada 90% em 2 horas com um adaptador de alimentação de 5 W.



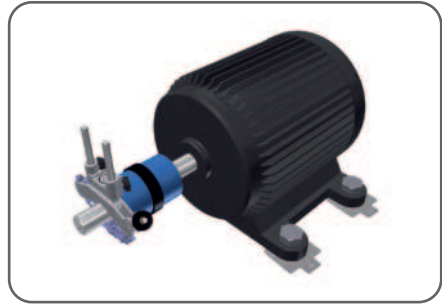
2.3 Montagem dos suportes em V

O suporte em V do eixo com um suporte magnético da barra montado em uma haste é fixado ao eixo da máquina estacionária.

Observação:

A lateral estacionária (S) é a lateral da máquina que não será ajustada.

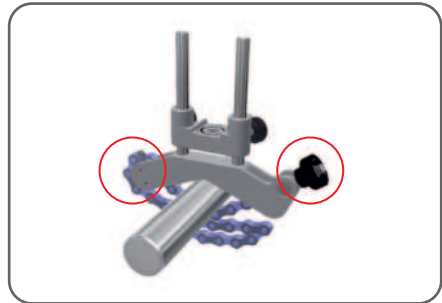
Essa é normalmente a máquina acionada, por exemplo, uma bomba.



Para eixos com diâmetro < 40 mm ($< 1,5$ in), engate a corrente na âncora no suporte em V pelo lado interno.

Para diâmetros maiores, engate a corrente pelo lado externo.

Remova a folga da corrente e aperte-a com firmeza com o botão de tensionamento.



Prenda o outro suporte do eixo ao eixo móvel da máquina, normalmente a máquina do acionador, por exemplo, um motor elétrico. Tente manter uma distância curta entre os suportes do eixo.



2.4 Fixação da barra

No suporte da barra de referência do suporte em V, coloque a barra mais curta que ainda se estende entre os suportes do eixo. Ajuste a posição nas hastes para uma posição baixa. A barra não deve tocar qualquer outra parte que não seja o suporte da barra durante a rotação do eixo.

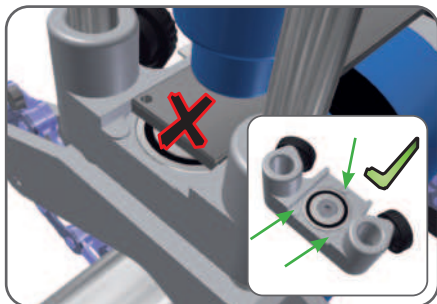
Aperte o suporte em V no lugar com os dois botões de trava.



Importante:

O suporte da barra de referência tem três superfícies de apoio ao lado do ímã.

A barra deve cobrir todas as **três superfícies de apoio** para uma montagem segura e medição precisa.



Observação sobre folga da barra de referência:

A barra de referência pode ser movida perpendicularmente à direção de medição.

As tolerâncias de planicidade das superfícies de apoio ajudam a garantir uma precisão suficiente.

2.5 Montagem da unidade de medição

Monte a unidade de medição sobre as hastes na lateral móvel.

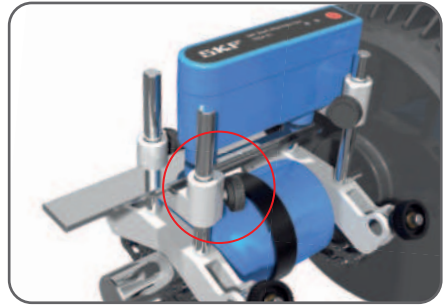
Ajuste a folga entre os sensores de proximidade indutivos e a barra de referência para aproximadamente 3 mm ($\frac{1}{8}$ de polegada).

“Sensor status” (Status do sensor) no aplicativo indica a distância correta.



Dica de montagem:

Todas as barras de referência possuem uma espessura de 3 mm (0.12 in) e podem ser usadas como um calibrador de folga. Mantenha uma segunda barra de referência sobre a primeira. Ajuste a unidade de medição nas hastes, de modo que o sensor toque a segunda barra. Prenda a posição com um botão de trava, remova a segunda barra do "feeler gauge" (calibrador de folga) e aperte firmemente os dois botões de trava.



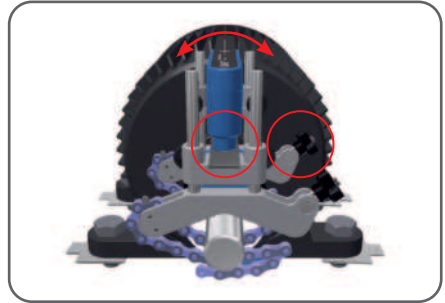
Alinhe os suportes do eixo e aperte firmemente com os botões de tensionamento.

Dica de montagem:

Alinhe os sensores no centro da barra.

Dica de medição:

Certifique-se de que a unidade de medição e a barra de referência estejam alinhadas durante as medições, conforme mostrado nesta imagem.

**Observação:**

Certifique-se de que a barra de referência cubra os dois sensores de proximidade indutivos.

2.6 Montagem direta nos acoplamentos

Para acoplamentos com grande variação de diâmetro do eixo e do acoplamento pode não ser possível montar o sistema sobre os eixos.

Nesse caso, monte os suportes em V diretamente no acoplamento. O sistema não perderá precisão, mesmo com uma pequena distância entre os suportes do eixo. (Aqui é possível ver as correntes presas pelo lado externo).

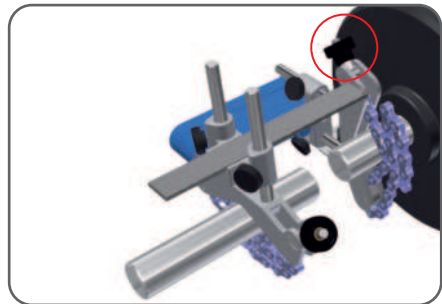
Acessórios de montagem:

Suportes em V com hastes mais longas (120 mm mais 80 mm), bem como correntes de extensão, estão disponíveis como acessórios.

Dica de montagem:

Normalmente, a barra passa através das hastes nos dois suportes em V.

Ao medir máquinas sem acoplamento, certifique-se de que a barra termine antes do suporte do eixo. Isso possibilitará girar um eixo de cada vez.



3. Uso do aplicativo

3.1 Dispositivos de display compatíveis

- iPad mini recomendados
- iPad, iPod touch, iPhone SE, Galaxy ou posteriores (nenhum incluído)

3.2 Instalação de aplicativos

1. Ative o Wi-Fi e conecte-se à Internet
2. Toque no ícone da App Store (iOS)



ou no ícone da Google Play Store (Android)



3. Toque na área de pesquisa
4. Digite “SKF TKSA 11”
5. Selecione o aplicativo que deseja instalar
6. Toque em “OBTER” (apenas no iOS) e, depois, em “INSTALAR”

3.3 Modo de demonstração

O aplicativo apresenta um “Demo Mode” (Modo de demonstração) que permite que a maior parte das funcionalidades sejam utilizadas, sem a necessidade de uma unidade de medição.

O modo de demonstração está disponível na tela “Settings” (Configurações) e na tela de seleção da unidade, sempre que nenhuma unidade de medição estiver conectada.

3.4 Menu principal

a. New alignment (Novo alinhamento)

Clique no sinal de mais (“+”) no centro para iniciar um novo alinhamento.

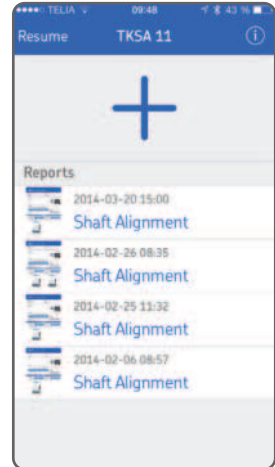
Se o alinhamento atual estiver em andamento, você será questionado se deseja continuar ou iniciar um novo alinhamento.

b. Resume (Retomar)

Continue com o alinhamento iniciado anteriormente.

c. Menu de informações “i”

Acesse os menus “Settings” (Configurações), “Help” (Ajuda) e “Legal” (Informações legais).

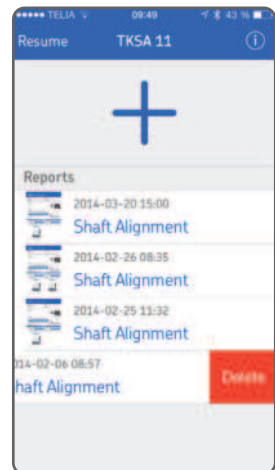


d. Reports (Relatórios)

Relatórios criados anteriormente são mostrados como uma lista com o último relatório criado na parte superior.

O toque em um relatório permite que ele seja aberto para visualização, edição, impressão e envio.

Exclua um relatório, deslizando o dedo da direita para a esquerda na linha do relatório. Toque no botão vermelho “Delete” (Excluir).



3.5 Settings (Configurações)

a. Company e operator (Empresa e operador)

Adicione o nome de sua empresa e o nome do operador. Eles aparecerão no relatório.

b. Company logo (Logotipo da empresa)

Adicione o logotipo de sua empresa ao relatório, tirando uma foto ou selecionando um do álbum de fotos em seu dispositivo de operação.

c. TKSA 11 hardware (hardware do TKSA 11)

Toque para selecionar uma unidade de medição.

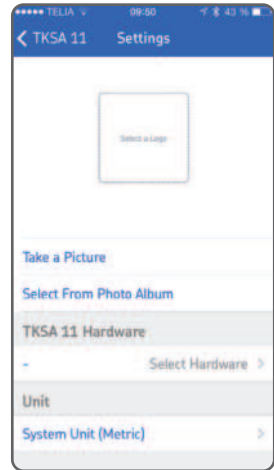
Toque em Cancel (Cancelar) para remover uma unidade de medição conectada.

Se uma unidade de medição estiver conectada, seu número de série será exibido.

Também é possível escolher o modo de demonstração.

dd. Unit (Unidade)

As unidades exibidas são normalmente baseadas nas unidades do sistema, mas também é possível selecionar manualmente unidades métricas ou imperiais.



3.6 Select unit (Selecionar unidade)

A comunicação sem fio Bluetooth estabelece uma conexão entre o iPod/iPhone ou iPad e a unidade TKSA 11.

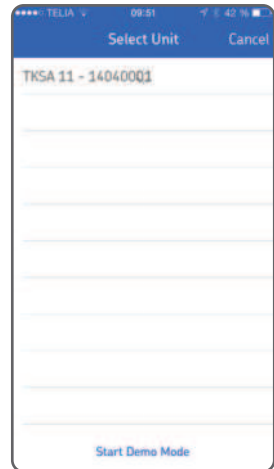
Quando não houver nenhuma unidade conectada ao seu aparelho, o aplicativo solicitará que você selecione uma unidade de medição TKSA ou escolha o modo de demonstração.

Toque na linha com “TKSA 11 – Serial number” (TKSA 11 – número de série) para selecionar e conecte a unidade de medição ao aplicativo.

Observação:

Não se esqueça de ligar a unidade de medição TKSA 11.

Certifique-se de que o Bluetooth esteja ativado em seu dispositivo de operação.



3.7 Machine information (Informações da máquina)

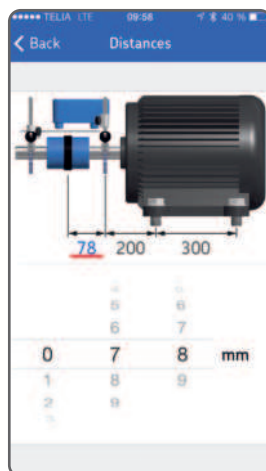
a. Distances (Distâncias)

Toque na imagem da máquina e digite as três dimensões da máquina, conforme exibido.

Toque na medição para selecionar e especificar novas medições de distância, usando a rolagem. As distâncias inseridas no último alinhamento serão o padrão.

Uma vez que a distância entre os sensores é fixa, devem ser especificadas apenas três distâncias.

1. Meça e insira a distância entre o centro do acoplamento e o centro das hastes na lateral móvel.
2. Meça e insira a distância entre as hastes da lateral móvel e dos pés dianteiros (centro do pé).
3. Meça e insira a distância entre os pés dianteiros e traseiros (centro dos pés).



b. Tolerances (Tolerâncias)

Selecione as tolerâncias do alinhamento.

A tabela de tolerâncias incorporada é baseada na velocidade da máquina que está sendo alinhada.

Observação:

As tolerâncias estão disponíveis em unidades métricas ou imperiais.

c. Machine ID (ID da máquina)

Digite um nome da máquina que será mostrado no relatório (opcional).

d. Photo (Foto)

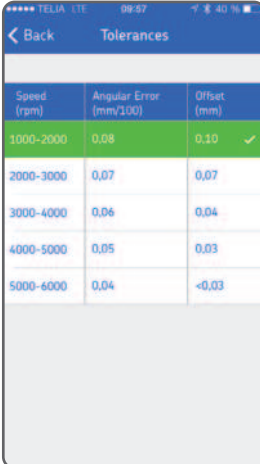
Adicione uma foto da máquina para o relatório (opcional).

e. Soft foot (Pé manco)

A máquina tem uma condição de “pé manco” quando não fica apoiada uniformemente sobre todos os pés. Isso é semelhante a uma cadeira que balança sobre três pés.

A presença da condição de pé manco pode dificultar o processo de alinhamento. Caso tenha algum problema com o alinhamento, verifique se há uma condição de “pé manco” e corrija-a quando detectada.

Clique na linha “Soft Foot” (Pé manco) para ver as recomendações sobre como medir e corrigir uma condição de pé manco.



Speed (rpm)	Angular Error (mm/100)	Offset (mm)
1000-2000	0,08	0,10 ✓
2000-3000	0,07	0,07
3000-4000	0,06	0,04
4000-5000	0,05	0,03
5000-6000	0,04	<0,03

3.8 Sensor status (Status do sensor)

A tela Sensor status (Status do sensor) é exibida somente quando a lacuna entre os sensores de proximidade indutivos e a barra de referência não se encontra dentro da faixa recomendada de $3 \pm 0,5$ mm (0.12 in ± 0.02 in) ou quando o nível da bateria da unidade de medição é inferior a 10%.

a. Connected e serial number (Conectada e número de série)

Indica se uma unidade de medição TKSA 11 está conectada e mostra seu número de série

b. Battery level (Nível da bateria)

Indica o nível de carga da bateria interna.

Um aviso é exibido quando está abaixo de 10%.

c. Probe distances (Distâncias do sensor), em mm ou mils

Para obter a maior faixa possível, é aconselhável começar a medição a uma distância de 3 mm $\pm 0,5$ mm (120 mils ± 20 mils) entre os sensores e a barra de referência. Os valores exibidos em vermelho não estão dentro da faixa recomendada. As duas setas mostram como ajustar a unidade de medição na direção correta.



Observação:

O aviso amarelo indica que pelo menos uma das distâncias não está dentro da faixa recomendada.

Observação:

O sinal vermelho "Stop" (Pare) indica que os sensores estão muito longe ou muito perto da barra de referência para obter uma leitura.

Setup assistance (Assistência na configuração)

Indica o que ocasionou o aviso ou o sinal de pare, e dá pistas de como corrigir o problema.

d. Rotation angle (Ângulo de rotação)

O ângulo de rotação da unidade é exibido e pode ser usado para posicionamento preciso.

3.9 Medições

A analogia de uma face do relógio é usada para descrever as diferentes posições de medição. A primeira posição de medição é a posição de 9 horas, ao visualizar de trás da máquina móvel.

As medidas devem ser tomadas sucessivamente em três posições diferentes (9-12-3).

Observação:

Não mova nem toque na unidade de medição ou no suporte da barra de referência ou suas hastes e não deslize a barra em seu suporte durante a medição.

Não use o equipamento de medição como uma alça para girar os eixos.

Posição 9. (90°)



Posição 12. (0°)



Posição 3. (-90°)



a. Measuring procedure (Procedimento de medição)

A tela mostra a unidade de medição vista da máquina móvel. Um símbolo triangular indicará a posição necessária da unidade de medição durante cada etapa.

1. Gire os eixos para o triângulo de contorno verde na posição de 9 horas.
2. Quando posicionado dentro de $\pm 5^\circ$, o símbolo altera para um triângulo preenchido de verde e o botão Record (Gravar) fica verde.
3. Toque em "Record" (Gravar)
4. Gire os eixos para o triângulo de contorno verde na posição de 12 horas.
5. Toque em "Record" (Gravar)
6. Gire os eixos para o triângulo de contorno verde na posição de 3 horas.
7. Toque em "Record" (Gravar)

Observação:

Deixe a unidade de medição na posição 3 para as correções horizontais em tempo real.



3.10 Resultados de medição “As found” (Como encontrado)

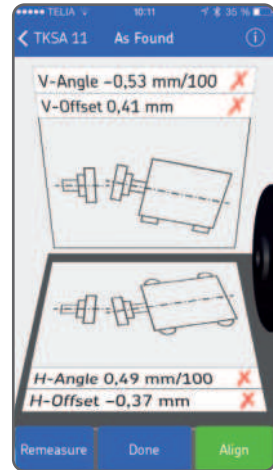
Os resultados de “offset” (deslocamento) e desalinhamento angular dos eixos vertical e horizontal ou planos são mostrados em uma visualização combinada.

Os gráficos mostram a posição da máquina de uma vista lateral e superior.

Os valores são comparados com as tolerâncias selecionadas e os símbolos à direita indicam se os valores estão dentro da tolerância.

Dentro da tolerância: ✓

Fora da tolerância: ✗



a. Remeasure (Medir novamente)

Se necessário, selecione “Remeasure” (Medir novamente) para cancelar os resultados e criar um novo conjunto de medições.

b. Done (Concluído)

Aceite os resultados e vá para o menu principal.

Um relatório é criado.

Observação:

É possível reiniciar o alinhamento após “Done” (Concluído) ter sido selecionado.

c. Align (Alinhar)

Efetue a correção horizontal e vertical.

O botão verde “Align” indica que alguns valores estão fora da tolerância e a correção é necessária.

3.11 Shimming (Calçamento)

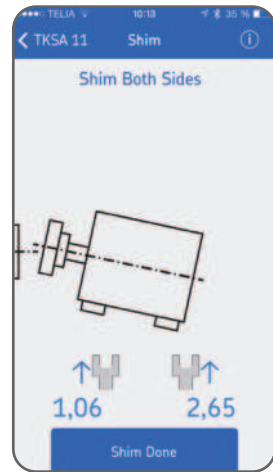
Se os resultados verticais estiverem fora da tolerância, você precisará corrigir o valor por meio da adição ou remoção de calços. O sistema calcula os valores de correção no pé. As setas mostram se os calços devem ser adicionados ou removidos. Os valores dos calços são fixos, não em tempo real. Clique em “Shim Done” (Colocação de calço concluída) depois de corrigir.

Observação:

O par de pés dianteiros e traseiros deverá receber calços.
“Shim both sides” (Calço nos dois lados)

Observação:

Se o botão “Shim Done” (Colocação de calço concluída) estiver verde, não será necessário o uso de calços.



3.12 Correção horizontal

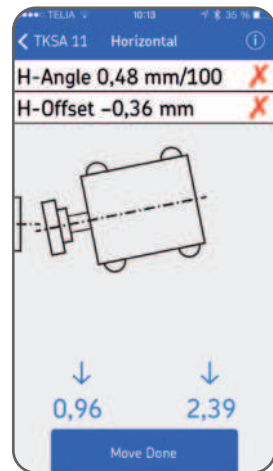
1. Certifique-se de que a unidade esteja posicionada em 3 horas. Com base nos valores de deslocamento e desalinhamento angular, o sistema calcula os valores de correção em tempo real nos pés da máquina móvel.
2. Mova a máquina horizontalmente de acordo com as setas e os gráficos, bem como com os valores de deslocamento e desalinhamento angular que são atualizados continuamente.

Observação:

Se a unidade estiver fora da posição de 3 horas em mais de $\pm 5^\circ$, a tela ficará esmaecida e os valores de correção para os pés ficarão em branco. Gire os eixos para a posição de 3 horas para os valores em tempo real.

Você pode tocar no “i” no canto superior direito da tela para visualizar o ângulo de rotação atual e girá-lo para -90° .

3. Quando estiver satisfeito com o alinhamento, aperte os parafusos e observe os valores para se certificar de que eles permanecem dentro da tolerância.
4. Quando a máquina estiver dentro da tolerância, o botão “Move Done” (Movimento concluído) aparecerá em verde.



3.13 Verificação do alinhamento

Para verificar o alinhamento, o sistema faz com que você realize o procedimento de medição mais uma vez. Esta etapa é obrigatória.

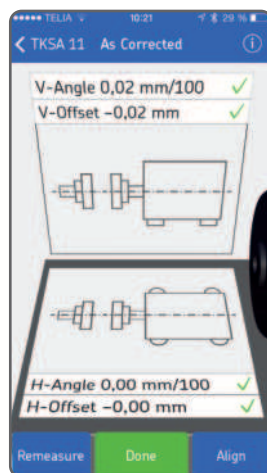


3.14 Resultados de medição “As corrected” (Como corrigido)

Quando o botão “Done” (Concluído) aparece verde, as máquinas estão alinhadas dentro das tolerâncias escolhidas.

Se esse não for o caso, toque em “Align” (Alinhar) para corrigir o desalinhamento.

Toque em “Done” (Concluído) para sair da tela principal e criar automaticamente um relatório.



3.15 Relatório

Os relatórios são gerados automaticamente como arquivos PDF e exibidos no menu principal como ícones. Toque em uma linha de relatório para abri-lo. É possível ampliar e reduzir os relatórios. Toque em um relatório aberto para editar.



Para copiar, imprimir e enviar o relatório.

a. Edit Report (Editar relatório)

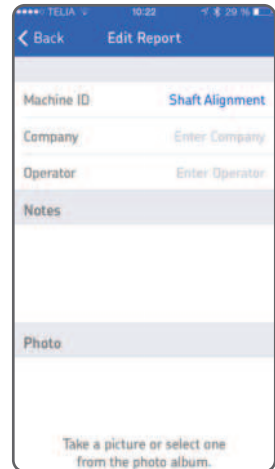
O relatório contém informações das medições e pode ser concluído com informações adicionais. Toque no campo que deseja editar.

b. Notes (Notas)

Digite aqui comentários adicionais.

c. Signature (Assinatura)

Toque no campo Signature (Assinatura) e escreva sua assinatura. Se o relatório for alterado, a assinatura será removida automaticamente.



4. Especificações técnicas

Especificações técnicas	
Designação	TKSA 11
Descrição	Ferramenta para alinhamento de eixo SKF TKSA 11

Unidade de medição (UM)	
Tipo de sensores	2 sensores de proximidade indutivos
Inclinômetros eletrônicos	Sim
Comunicação sem fio	Bluetooth 4.0 de baixa energia
Faixa de comunicação	> 10 m (<i>> 11 jardas</i>)
Material do mancal	Plástico ABS/PC
Cores	Produto no azul SKF
Dimensões	105 × 55 × 55 mm (<i>4.1 × 2.2 × 2.2 in</i>)
Peso	155 g (<i>0.34 lb</i>)
Barras de referência	3 fornecidas 100 mm, 150 mm, 200 mm (<i>3.9 in, 5.9 in, 7.9 in</i>)
Material das barras de referência	Aço níquelado

Desempenho	
Distância de medição do sistema	0 a 185 mm (<i>0 a 7.3 in</i>) entre os suportes
Faixa de medição dos sensores	5 mm (<i>0.2 in</i>)
Erros de medição	Menos de 2%
Resolução exibida	10 µm (<i>0.4 mils</i>)
Resolução do inclinômetro	±0,1°
Precisão do inclinômetro	±0,5°

Dispositivo operacional	
Compatível com dispositivos de operação	iPad Mini recomendados, iPad, iPod touch, iPhone SE, Galaxy ou posteriores (nenhum incluído)
Dispositivo operacional	TKSA 11: não fornecida
Atualização de software/aplicativo	Apple AppStore e Google Play Store
Requisitos de sistema operacional	Apple iOS 9 ou Android OS 10 (e versões mais recentes)

Suportes de eixo	
Acessórios	2 suportes em V com correntes
Material	Alumínio anodizado
Diâmetros de eixo	20 a 160 mm de diâmetro (0.8 a 5.9 in)
Altura máx. recom. do acoplamento	55 mm (2.2 in) com hastes padrão de 80 mm
Largura da base em V do suporte	15 mm (0.6 in)
Comprimento das correntes	480 mm (18.9 in) fornecido (correntes de extensão opcionais)
Hastes	2 hastes de 80 mm (3.1 in) por suporte

Recursos	
Método de alinhamento	Método de 3 medições de alinhamento de 9-12-3 horas
Correção vertical (calços)	Sim
Correção horizontal em tempo real	Sim
Relatório	Relatório .pdf automático
Câmera digital	Sim, se disponível no dispositivo de operação
Aba de orientação do display	Modo retrato somente

Bateria e alimentação	
Bateria da UM	Bateria recarregável de polímero de lítio de 1.900 mAh
Tempo operacional da UM	Até 18 horas de operação contínua
Adaptador de alimentação	Carga através da porta micro USB (5 V). Cabo de carga micro USB para USB fornecido. Compatível com carregadores USB de 5 V (não incluídos)
Tempo de carga do sistema	4 horas (com alimentação de 1 A), 90% em 2 horas

Tamanho e peso	
Dimensões da maleta de transporte	360 × 110 × 260 mm (14.2 × 4.3 × 10.2 in)
Peso total (incluindo a maleta)	2,1 kg (4.6 lb)

Requisitos operacionais	
Temperatura operacional	0 a +45 °C (32 a 113 °F)
Temperatura de armazenamento	-20 °C a +70 °C (-4 °F a +158 °F)
Umidade relativa	10% a 90% sem condensação
Classificação IP	IP 54 para a unidade de medição (IP 67 para as sondas)

Conteúdo do kit	
Certificado de calibração	Fornecido com validade de 2 anos
Na maleta	1 unidade de medição TKSA 11
	3 barras de referência
	2 suportes de eixo com correntes
	1 cabo de carga micro USB para USB
	1 fita de medição métrica e imperial de 2 m
	1 Certificado impresso de calibração e conformidade
	1 Guia impressos de início rápido (em inglês)
	1 maleta de transporte SKF

Acessórios	
Designação	Descrição
TKSA 11-EBK	2 suportes extensíveis com 120 mm (4.7 in) + 80 mm (3.2 in) hastes removíveis (nenhuma corrente fornecida)
Acessórios para a TKSA 51 que também são compatíveis com a TKSA 11	
TKSA 51-EXT50	1 suporte de deslocamento de 50 mm (2 in) com 2 hastes de 80 mm (3.2 in)
TKSA 51-EXTCH	2 correntes de extensão de 1 m (3.3 ft) para eixo até 450 mm (17.7 ft) de diâmetro
TKSA 51-ROD120	4 hastes roscadas de extensão de 120 mm (4.7 in)
TKSA 51-ROD80	4 hastes roscadas de extensão de 80 mm (3.2 in)
TKSA 51-SLDBK	1 suporte ajustável de movimento deslizante (sem hastes) para uso com eixo > 30 mm (1.2 in) ou furo > 120 mm (4.7 in)
TKSA 51-SPDBK	1 suporte de eixo-árvore com 2 hastes de 80 mm (3.2 in)

Peças de reposição	
Designação	Descrição
TKSA 11-MBH	1 suporte magnético de barra
TKSA 11-RB	1 conjunto de barras de referência (100 mm, 150 mm e 200 mm)
TKSA 11-VBK	1 suporte de corrente padrão com hastes de 80 mm e 1 corrente padrão de 480 mm
TDTC 1/B	Maleta de ferramentas sem compartimentos internos, tamanho B
Peças de reposição para a TKSA 51 que também são compatíveis com a TKSA 11	
TKSA 51-VBK	1 Suporte de corrente padrão inclui hastes roscadas de 80 mm (3.2 in) e 1 corrente padrão de 480 mm (18.9 in), inclusive. 4 Ímãs

目录

符合欧盟相关产品条例的声明	172
安全需知	173
1. 简介.....	174
1.1 轴对中概述	174
1.2 工作原理	175
1.3 测量方法	176
2. 测量单元.....	177
2.1 描述	177
2.2 操作测量单元.....	178
2.3 安装 V 型支架.....	179
2.4 连接测量条	180
2.5 安装测量单元.....	180
2.6 在联轴器上直接安装.....	182
3. 使用应用程序.....	183
3.1 可兼容的显示装置	183
3.2 安装应用程序	183
3.3 演示模式	184
3.4 主菜单	184
3.5 设置	185
3.6 选择单元	185
3.7 机器信息	186
3.8 传感器状态	188
3.9 测量	189
3.10 校准前的测量结果	191
3.11 垫片垫补	192
3.12 水平调整	192
3.13 确认对中	193
3.14 “校准后”的测量结果	193
3.15 报告	194
4. 技术规格.....	195

符合欧盟相关产品条例的声明

TKSA 11

我们，SKF维护产品，Meidoornkade 14, 3992 AE Houten
荷兰 全权负责并申明在所使用说明书中所描述的产品，
符合下列“系列”指令要求：

无线电设备指令2014/53/EU

RoHS 指令 (EU) 2015/863

并遵从以下标准：

EN 61010-1:2010

EN IEC 63000:2018: 电气和电子产品有关有害物质限制的评估技术文件。

Emissions and immunity:

EN 61326-1:2013 B 类，第 1 组设备，

industrial immunity test requirements

EMC:

IEC 61000-4-3:2006 – Radiated Radio Frequency Fields

IEC 61000-4-2:2009 – ESD

EN 301 489-1 V2.1.1 – Electromagnetic compatibility and Radio spectrum Matters

EN 301 489-1 clause 9.2 – Radiated RF immunity (enclosure)

EN 301 489-17 v3.1.1

EN 300 328 v2.1.1

本文所涉及设备符合 FCC 规则第 15 部分要求。

包含 FCC ID: QQQBLE112

认证号: IC: 5123A-BGTBLE112

制造商名称、商标名称或品牌名称: bluegiga

型号名称: BLE112-A

Houten, 荷兰, 2024年1月



Guillaume Dubois

质量和合规经理





安全需知

- 完整的使用说明可从 SKF.com 处获得，并且包含在 SKF TKSA 11 APP 应用中。
- 在搬运和操作该设备前请阅读并遵守本文档中的所有警告。如不遵守安全警告，则可能造成严重的人身伤害，并可造成设备和数据的损坏。
- 请始终认真阅读并遵守该操作说明。
- 穿戴适宜的工作服。请勿穿戴松垮的服装或首饰。保持头发、衣服和手套远离活动部件。
- 请勿过度探出身体。始终保持适当的站立和平衡，以便在意外情况下对设备进行更好的控制。
- 请使用劳防用品。在相应条件下必须使用防滑安全鞋、安全帽或听力保护用品。
- 除非经相关部门授权，否则切勿对带电设备进行操作。在开始操作前请始终关闭设备的电源。
- 请勿野蛮搬运或使设备受到冲击，否则将使质保失效。
- 避免与水、潮湿表面或冷凝的水分发生直接接触。
- 请勿尝试拆解该设备。
- 仅使用 SKF 推荐的附件。
- 设备的维护仅可由培训合格的 SKF 维修人员执行。
- 我方建议每两年对该工具校准一次。



1. 简介

1.1 轴对中概述

对于机器设备的提前失效来说，轴对不中是最重要的成因之一，也是最可以预防的因素之一。在机器工作过程中，如果轴对中未处于最佳状态，则可能发生如下情况：

- 机器性能不佳
- 能耗增加
- 噪声和振动增加
- 轴承提前磨损
- 衬垫、填料和机械密封件加速恶化
- 联轴器的磨损率更高
- 意外停机时间延长

在机器承受载荷并且处于正常工作温度下时，如果每个轴的中心线共线，则可以实现正确的对中。这通常称为轴与轴对中。

如果机组的各轴未共线，则在机器的操作过程中，各轴将发生不对中。

本质上说，目标就是建立一条通过机器所有轴中心的直线。

SKF 轴对中工具 TKSA 11 是一种无线的轴对中工具，可以方便准确地将传动机器（例如电机）和从动机器（例如泵机）的轴进行对中。

1.2 工作原理

两台非接触的感应式距离传感器测量传感器和参考条之间距离的变化。传感器被牢固地安装在测量单元中，并按指定的距离分离开来。测量单元则需要被牢固地连接到机器运动侧的轴上。参考条则通过磁力架牢固地连接到机器固定侧的轴上。

在测量过程中，将在三个位置进行测量，相互呈 90° ，也就是 9、12 和 3 点钟位置处的测量。

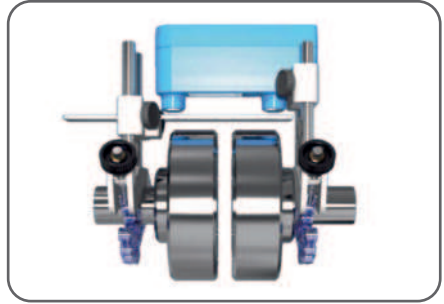
在将各轴沿弧线进行旋转的过程中，任何平行错位或角度错位都能够使得两台传感器测量出其本身位置相对于参考条的差异变化。

测量单元的位置信息通过无线方式传送到 iOS 设备，该设备可计算轴对不中的量，并对机器地脚的正确调节给出建议。

如果机组的轴在机器运行过程中未共线，则根据定义已发生对不中。

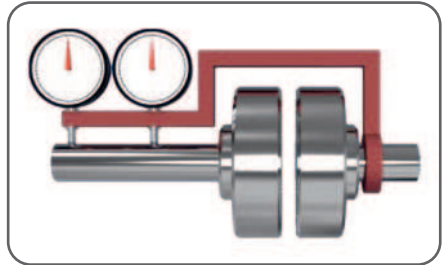
1.3 测量方法

TKSA 11 测量单元可测量两个不同点处的两个偏置。
参考条作为其中一个轴的延伸。
利用双重径向方法的原理。



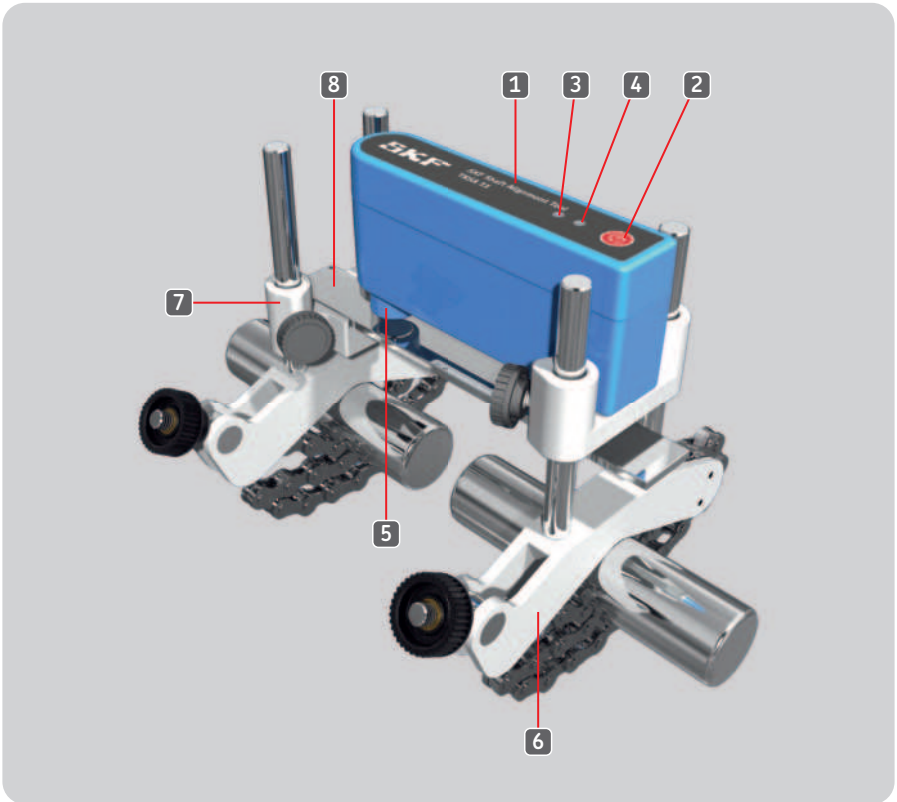
双重径向方法

测量两个点处的两个偏置。
与 TKSA 11 测量方法不同的是，通常没有充分的轴暴露在外以使指示器伸展至足够的距离。



2. 测量单元

2.1 描述



1. 测量单元	5. 两台感应式距离传感器
2. 开关按钮	6. 带固定链的V型支架
3. 蓝色连接 LED	7. 磁力条座
4. 红/绿色状态 LED	8. 参考条

TKSA 11 测量单元配有可充电电池、充电端口，以及印刷电路板。

注意：

测量单元设计可在恶劣环境下工作，不含任何活动部件。

2.2 操作测量单元

- 按下单元顶部的电源按钮，打开单元。
- 按下该按钮并保持三秒钟可关闭单元。
- 单元打开后，状态 LED 将变为绿色。
- 单元通过蓝牙连接到APP应用后，连接 LED 将变为蓝色。



当APP应用显示电池低电量时，为测量单元充电

- 将充电器电缆插入到单元底部的插头，然后将另一端插入到标准 USB 充电器（最大 1A）或电脑的 USB 端口。
- 单元关闭后，红色 LED 表示正在充电。
- 电池完全充电后，LED 将关闭（对于已用尽的电池约需 4 小时）。

注意：

使用 5W 电源适配器可在 2 小时内将单元充至 90%。



2.3 安装 V 型支架

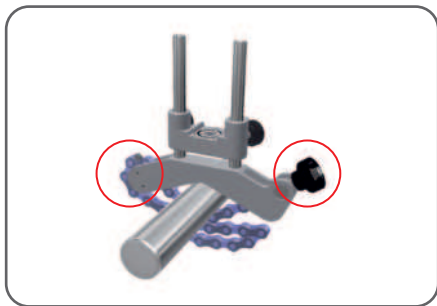
轴的 V 型支架上带有通过棒进行安装的磁力条座，连接到机器的静止轴上。

注意：

静止 (S) 侧为机器上无法调节的一侧。
通常为从动机器，例如泵机。



对于直径 $< 40\text{ mm}$ ($< 1.5\text{''}$) 的轴，从内部将链条钩住 V 型支架中的锚点。
对于更大的直径，从外部钩住链条。
拆下松弛的链条部分并使用张紧旋钮将其上紧。



将另一轴支架连接到机械的活动轴，通常为传动机器，例如电机。
尝试在轴支架之间保持尽可能短的距离。



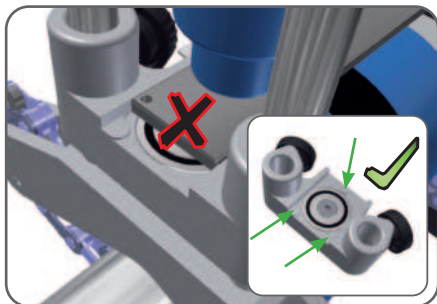
2.4 连接测量条

在 V 型支架的参考条座上，放置长度最短但是仍可跨过两个轴支架的参考条。
将支架每条棒上的位置调节至较低位置。
在轴旋转过程中，条不得与条支架以外的任何其他部件发生接触。
使用两个止动旋钮将 V 型支架上紧就位。



重要事项：

参考条座除了磁铁外还具有三个支撑表面。条必须使用全部三个支撑表面来保证安全的安装和准确的测量结果。



参考条使用的注意事项：

参考条可相对于测量方向而垂直运动。
支撑表面的平面度公差有助于确保充分的精确性。

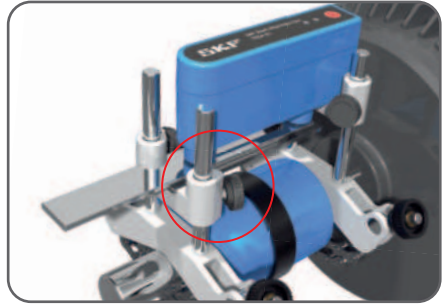
2.5 安装测量单元

将测量单元安装到运动侧的支架的棒上。
将感应式距离传感器和参考条之间的间隙调节至约 3mm(1/8 英寸)。
APP应用中的“传感器状态”表示正确的距离。



安装提示：

所有参考条的厚度都为 3 mm (0.12 in)，可用作测隙规。将一个参考条放置在第一个参考条的上方。调节安装在棒上的测量单元，使传感器接触到第二个条。使用止动旋钮固定其位置，拆下第二个“测隙规”，然后牢牢上紧两个止动旋钮。



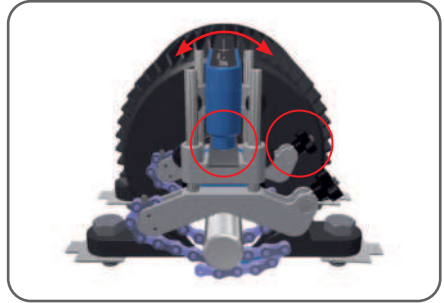
对齐轴支架，然后使用张紧旋钮将其牢牢上紧。

安装提示：

将参考条的中心与传感器对中。

测量提示：

如该图所示，在测量过程中确保测量单元和参考条保持对中。



注意：

确保参考条可以横跨两台感应式距离传感器。

2.6 在联轴器上直接安装

对于由于联轴器使得轴直径有较大变化或由于联轴器直径的影响，可能无法将该系统安装在轴上。

在该情况下，将 V 型支架直接安装到联轴器上。即使轴支架之间的距离较短，系统也不会损失精度（此处可以看到从外侧锁紧的链条）。

安装附件：

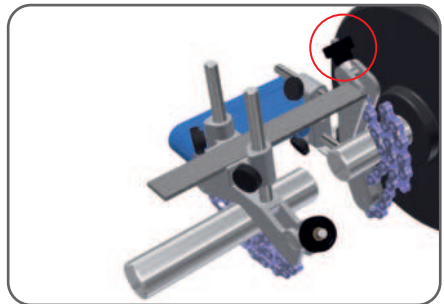
提供具有更长的支架棒（120 mm 加 80 mm）以及延长链条的 V 型支架作为附件。



安装提示：

通常，参考条将穿过两个 V 型支架上的棒。在测量非耦合的机器时，确保条的末端在轴支架之前。

这样便可以一次翻转一个轴。



3. 使用应用程序

3.1 可兼容的显示装置

- iPad Mini
- iPad、iPod Touch、iPhone SE、Galaxy 或更高版本产品（不仅限于此）

3.2 安装应用程序

1. 开启 Wi-Fi 并连接至网络

2. 轻敲 App Store 图标 (iOS)



or Google Play Store icon (Android)

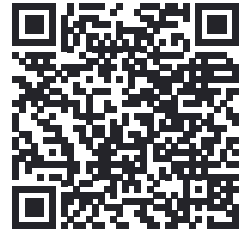


3. 轻敲搜索栏

4. 输入“SKF TKSA 11”

5. 选择您希望安装的应用程序

6. 轻敲“获取”（仅 iOS）然后“安装”



3.3 演示模式

该APP应用具有演示模式，可在无需使用测量单元的情况下使用大多数功能。演示模式可在设置屏幕上使用，并且可在未连接测量单元的情况下在选择单元屏幕上使用。

3.4 主菜单

a. 新对中

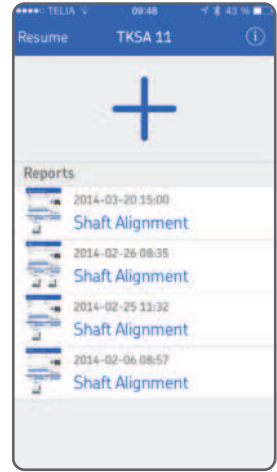
单击中心的加号（“+”）可开始新的对中操作。如果当前对中操作正在进行中，则将询问您是否要恢复或开始新的操作。

b. 恢复

继续之前启动的对中操作。

c. “i”信息菜单

访问“settings, (设置)”、“(Help)帮助”和“(Legal)法律”信息菜单。

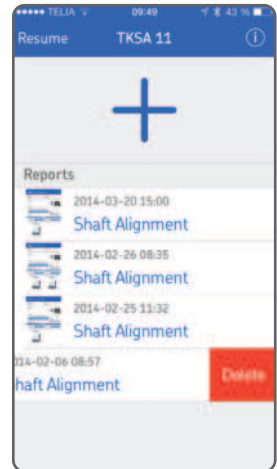


d. 报告

之前创建的报告将作为列表显示，最新创建的报告显示在顶部。

点击报告可将其打开，供查看、编辑、打印和通过电子邮件发送。

在报告行上从右向左扫过可删除报告。点击红色按钮“删除”。



3.5 设置

a. 公司和操作人员

添加您的公司名称和操作人员姓名。
这些内容将出现在报告中。

b. 公司标志

通过拍照或从工作设备的相册中选择一张照片，可以将您的公司标志添加到报告中。

c. TKSA 11 的硬件

点击可选择测量单元。

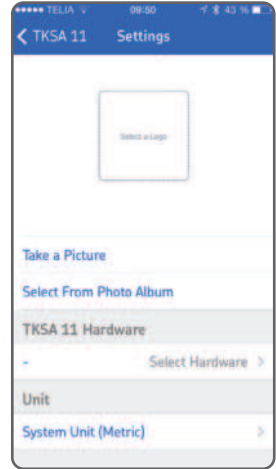
点击取消可移除连接的测量单元。

如果已连接测量单元，则将显示其序列号。

还可以选择以用于演示模式。

d. 单位

显示的单位一般基于系统单位，但是还可以手动选择公制或英制单位。



3.6 选择单元

蓝牙无线通讯可在 iPod/iPhone 或 iPad 以及 TKSA 11 单元之间建立连接。

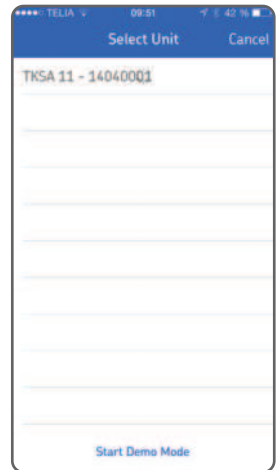
在没有单元连接到您的设备的情况下，APP应用将提示您选择 TKSA 测量单元，或选择使用演示模式

点击带有“TKSA 11 - 序列号”的行以选择测量单元并连接到APP应用。

注意：

不要忘记打开 TKSA 11 测量单元。

确保已在您的工作设备上启用了蓝牙。



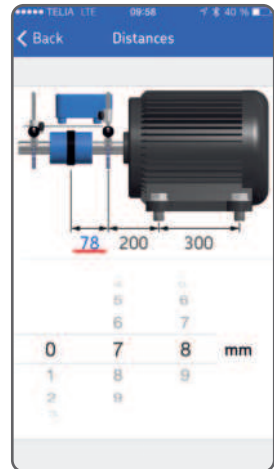
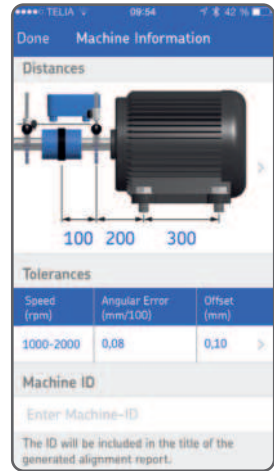
3.7 机器信息

a. 距离

点击机器的图像并输入机器的三个尺寸，如图所示。点击测量以使用滚轮选择并指定新的距离测量。之前对中操作所输入的距离将作为默认设置。

由于传感器之间的距离固定，所以必须指定三个距离。

1. 测量并输入联轴器中心和活动侧上的棒中心之间的距离。
2. 测量并输入活动侧上的棒和前地脚（地脚中心）之间的距离。
3. 测量并输入前后地脚（地脚中心）之间的距离。



b. 公差

选择对中的公差。内置公差表基于所对中的机器速度。

注意：

公差以公制或英制单位提供。

c. 机器 ID

输入将显示在报告中的机器名称（可选）。

d. 照片

为报告添加您机器的照片（可选）。

e. 软脚

当机器无法通过所有地脚平均受力时，将发生软脚的情况。该情况类似于一个只有三条腿的椅子。

如果存在软脚的情况，将使对中过程更为困难。

如果在对中操作中遇到问题，则检查是否存在软脚情况，并在发现后进行改正。

单击软脚行以查看如何测量并调整软脚状态的建议。



Speed (rpm)	Angular Error (mm/100)	Offset (mm)
1000-2000	0,08	0,10 ✓
2000-3000	0,07	0,07
3000-4000	0,06	0,04
4000-5000	0,05	0,03
5000-6000	0,04	<0,03

3.8 传感器状态

仅当感应式距离传感器和参考条之差超出 $3 \pm 0.5 \text{ mm}$ ($0.12 \text{ 英寸} \pm 0.02 \text{ 英寸}$) 的建议范围或测量单元的电量低于 10% 时，方可显示传感器状态屏幕。

a. 连接数和序列号

表示是否已连接 TKSA 11 测量单元并显示其序列号。

b. 电量

表示内置电池的电量。在低于 10% 时将显示警告。

c. 探头距离 (mm 或 mils)

为了获得尽可能大的范围，建议在传感器和参考条间距为 $3 \text{ mm} \pm 0.5 \text{ mm}$ ($120 \text{ mils} \pm 20 \text{ mils}$) 的情况下开始测量。

显示为红色的值不在建议的范围内。

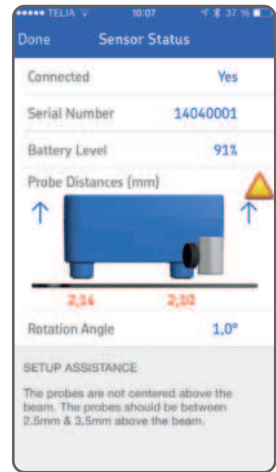
两个箭头显示如何在正确的方向内调节测量单元。

注意：

黄色警告符号表示其中至少一个距离超出建议范围。

注意：

红色“停止(Stop)”符号表示传感器距离参考条的距离过远或过近，无法获取读数。



设置帮助

表示警告或停止的原因，并提供如何修复该问题的提示。

d. 旋转角度

将显示该单元的旋转角度，并且可用于精确定位。

3.9 测量

模拟钟面用于描述不同的测量位置。

第一个测量位置为 9 点钟位置，即从运动机器后方进行查看的位置。

测量将在三个不同位置处连续进行 (9-12-3)。

注意：

在测量过程中请勿移动或触摸测量单元或参考条支架或棒，

并且请勿在支架上滑动参考条。

请勿使用测量设备作为转动轴的把手。

位置 9. (90°)



位置 12. (0°)



位置 3. (-90°)



a. 测量程序

该屏幕显示从运动机器上查看的测量单元。
三角符号表示每个步骤下测量单元的所需位置。

1. 将轴转动至 9 点钟位置处的绿色空心三角形处。
2. 在位置达到 $\pm 5^\circ$ 范围内后，该符号将变为实心的绿色三角形，并且记录按钮将变绿。
3. 点击“记录(Record)”。
4. 将轴转动至 12 点钟位置处的绿色空心三角形处。
5. 点击“记录(Record)”。
6. 将轴转动至 3 点钟位置处的绿色空心三角形处。
7. 点击“记录(Record)”。

注意：

将测量单元停留在位置 3 处进行实时的水平修正。



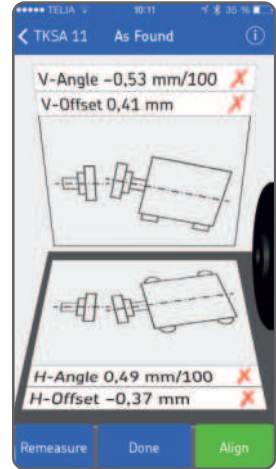
3.10 校准前的测量结果

不对中的结果显示在组合视图中（平行不对中与角度不对中）。图形显示了侧视图和俯视图中的机器位置。

这些值将与选定的公差进行比较，而右边的符号则说明值是否超出公差。

公差范围内： ✓

超出公差： ✗



a. 重新测量

如需要，选择“重新测量(Remeasure)”可取消结果，并进行一组新的测量。

b. 完成

接受结果并转至主菜单。将生成报告。

注意：

在选择“完成”后可以恢复对中操作。

c. 对中

执行垂直和水平调整。

绿色“对中(Align)”按钮表示某些值超出公差，需要调整。

3.11 垫片垫补

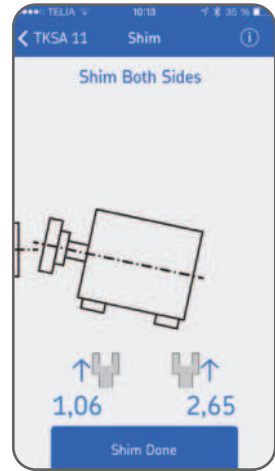
如果垂直方向结果超出公差，则需要添加或移除垫片来调整。系统可以计算地脚处的调整值。箭头显示是否应该添加或移除垫片。垫片值为固定值而非实时值。在调整后单击“垫片完成(Shim Done)”。

注意：

必须成对地对地脚进行垫片。“为两侧垫片”

注意：

如果“垫片完成(Shim Done)”按钮显示为绿色，则无需进行填隙操作。



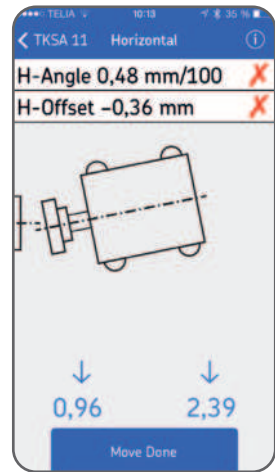
3.12 水平调整

1. 确保单元位于 3 点钟位置。
根据水平位移值和角度偏差值，系统可计算运动机器地脚处的实时需调整值。
2. 根据箭头和图形水平移动机器，水平位移值和角度偏差值将连续进行更新。

注意：

如果单元超出 3 点钟位置超过 $\pm 5^\circ$ ，则屏幕将变暗，而地脚的调整值将变为空白。将轴转向 3 点钟位置可获得实时值。可以点击屏幕右上角处的“i”来查看当前旋转角度，并转动至 -90° 。

3. 如对对中结果满意，上紧螺栓并观测值，确保其保持在公差范围内。
4. 在机器处于公差范围内时，“移动完成(Move Done)”按钮将变为绿色。



3.13 确认对中

如要确认对中效果，系统需要您再次执行测量程序。该步骤为强制性操作。

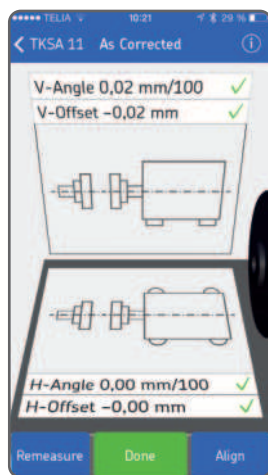


3.14 “校准后”的测量结果

在“完成(Done)”按钮显示为绿色后，机器将在所选的公差范围内进行对中。

如果情况并非如此，则点击“对中(Align)”以调整不对中的情况。

点击“完成(Done)”可退出至主屏幕并自动创建报告。



3.15 报告

报告将自动生成 PDF 文件，并作为图标显示在主屏幕上。

点击报告行可将其打开。

可以在报告中进行缩放。

点击打开的报告可进行编辑。



可以复制、打印并通过电子邮件发送报告。

a. 编辑报告

报告中包含测量的信息，并可在其中补充附加信息。

点击要编辑的字段。

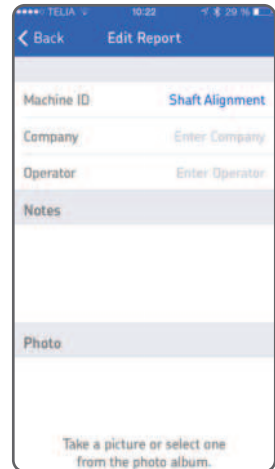
b. 注释

在此处输入附加的注释。

c. 签名

点击签名(Signature)字段可以填写您的签名。

如果报告发生更改，则将自动移除签名。



4. 技术规格

技术数据	
名称	TKSA 11
描述	SKF 轴对中工具 TKSA 11

测量单元 (MU)	
传感器类型	2 × 感应式距离传感器
电子测斜计	有
无线通讯	蓝牙 4.0 低功耗
通讯范围	> 10 m (> 11 码)
外壳材料	PC/ABS 塑料
颜色	SKF 产品蓝色
尺寸	105 × 55 × 55 mm (4.1 × 2.2 × 2.2 in.)
重量	155 g (0.34 lbs)
参考条	3 × 标配提供 100 mm、150 mm、200 mm (3.9 in.、5.9 in.、7.9 in.)
参考条材料	镀镍钢

性能	
系统测量距离	支架间 0 至 185 mm (0 至 7.3 in.)
传感器测量范围	5 mm (0.2 in.)
测量误差	小于 2%
显示分辨率	10 μm (0.4 mils)
测斜计解析度	±0,1°
测斜计精度	±0,5°

操作装置	
可兼容的操作装置	iPad Mini, iPad, iPod Touch, iPhone SE, Galaxy 或更高版本产品 (不仅限于此)
操作装置	TKSA 11: 未提供
软件/应用程序升级	在 Apple AppStore 和 Google Play Store 上
操作系统要求	Apple iOS 9 或安卓 OS 10 (以及更高版本)

轴支架	
固定装置	2 × 带链条的 V 型支架
材料	阳极氧化铝
轴直径	20 至 160 mm 直径 (0.8 至 5.9 in.)
联轴器建议最大联轴器高度	55 mm (2.2 in.) 带标准 80 mm 棒
支架 V 型基座宽度	15 mm (0.6 in.)
链条长度	480 mm (18.9 in.) 标配提供 (可选延伸链条)
棒	每台支架 2 × 80 mm (3.1 in.) 棒

功能	
对中方法	3 × 测量 9-12-3 点钟对中方法
竖向调整 (填隙)	有
实时水平调整	有
报告	自动 .pdf 报告
数码摄像头	有, 如果在工作设备上提供
显示方位翻转	仅限竖版显示

电池和电源	
MU 电池	1 900 mAh 可充电锂聚合物电池
MU 工作时间	最长 18 小时连续操作
电源适配器	通过 micro USB 端口充电 (5V) 提供 Micro USB 至 USB 的充电电缆 与 5V USB 充电器相兼容 (不包含)
系统充电时间	4 小时 (使用 1A 电源), 2 小时内充满 90%

尺寸和重量	
手提箱尺寸	360 × 110 × 260 mm (14.2 × 4.3 × 10.2 in.)
总重量 (包含手提箱)	2,1 kg (4.6 lb)

工作要求	
工作温度	0 °C 至 +45 °C (32 至 113 °F)
存储温度	-20 °C 至 +70 °C (-4 °F 至 +158 °F)
相对湿度	10% 至 90%, 非冷凝
保护等级	测量单元为 IP 54 (探头为 IP 67)

包装箱内容	
校准证书	标配提供, 2 年有效期
手提箱内	1 × TKSA 11 测量单元
	3 × 参考条
	2 × 带链条的轴支架
	1 × Micro USB 至 USB 充电电缆
	1 × 2 m 公制和英制卷尺
	1 × 印刷版校准与合规证书
	1 × 印刷版快速入门指南 (英文)
	1 × SKF 手提箱

附件	
型号	描述
TKSA 11-EBK	2 × 可延伸支架, 带 120 mm + 80 mm 可拆卸棒 (不提供链条)
也适用于TKSA 11的TKSA 51附件	
TKSA 51-EXT50	1 × 50 mm 偏置托架带 2 × 80 mm 的杆
TKSA 51-EXTCH	2 × 1 m 延长链 适用于直径最大 450 mm 的轴
TKSA 51-ROD120	4 × 120 mm 螺纹延长杆
TKSA 51-ROD80	4 × 80 mm 螺纹延长杆
TKSA 51-SLDBK	1 × 滑动可调整支架 (无杆) 用于 > 30 mm 的轴或 > 120 mm 的孔
TKSA 51-SPDBK	1 × 主轴支架带 2 × 80 mm 的杆

备件	
型号	描述
TKSA 11-MBH	1 × 磁力条座
TKSA 11-RB	1 × 参考条组 (100 mm、150 mm、200 mm)
TKSA 11-VBK	1 × 标准链条支架, 含 80 mm 棒和 1 × 标准链条 480 mm
TDTC 1/B	不含缓冲填料的通用手提箱, 尺寸B
也适用于TKSA 11的TKSA 51备件	
TKSA 51-VBK	1 × 标准链条支架包括 80 mm 螺纹杆和 1 × 480 mm 标准链条, 包括 4 × 磁铁

Содержание

Декларация о соответствии Директивам ЕС.....	200
Рекомендации по технике безопасности.....	201
1. Введение.....	202
1.1 Общая информация о выверке соосности валов.....	202
1.2 Принцип работы.....	203
1.3 Метод измерения.....	204
2. Измерительный блок.....	205
2.1 Описание.....	205
2.2 Порядок работы с измерительным блоком.....	206
2.3 Установка V-образных кронштейнов.....	207
2.4 Установка стержня.....	208
2.5 Установка измерительного блока.....	208
2.6 Установка непосредственно на соединительные муфты.....	210
3. Использование приложения.....	211
3.1 Совместимые дисплеи.....	211
3.2 Установка приложений.....	211
3.3 Демонстрационный режим.....	212
3.4 Главное меню.....	212
3.5 Settings (Настройки).....	213
3.6 Select unit (Выбор блока).....	213
3.7 Machine information (Информация о машине).....	214
3.8 Sensor status (Состояние датчиков).....	216
3.9 Измерения.....	217
3.10 Результаты измерений исходного положения машины.....	219
3.11 Регулировка положения машины с помощью пластин.....	220
3.12 Регулировка положения машины в горизонтальной плоскости.....	220
3.13 Проверка результата выверки.....	221
3.14 Результаты измерений положения машины после корректировки.....	221
3.15 Отчет.....	222
4. Технические характеристики.....	223

Декларация соответствия нормам ЕС

TKSA 11

Мы, SKF Maintenance Products, Meidoornkade 14, 3992 AE Houten, The Netherlands (Нидерланды) настоящим подтверждаем, что продукция, описанная в данной инструкции по эксплуатации, соответствует условиям следующей директивы (директив):

ДИРЕКТИВА 2014/53/EU НА РАДИООБОРУДОВАНИЕ

ДИРЕКТИВА RoHS (EU) 2015/863

и соответствует следующим стандартам:

EN 61010-1:2010

EN IEC 63000:2018: Техническая документация для оценки электрических и электронных изделий в отношении ограничения использования опасных веществ.

Emissions and immunity:

EN 61326-1:2013 Класс В, оборудование группы 1,
industrial immunity test requirements

EMC:

IEC 61000-4-3:2006 – Radiated Radio Frequency Fields

IEC 61000-4-2:2009 – ESD

EN 301 489-1 V2.1.1 – Electromagnetic compatibility and Radio spectrum Matters

EN 301 489-1 clause 9.2 – Radiated RF immunity (enclosure)

EN 301 489-17 v3.1.1

EN 300 328 v2.1.1

Данное устройство соответствует Части 15 Правил Федерального агентства по связи (FCC). Содержит FCC ID: QOQBLE112

Номер сертификата: IC: 5123A-BGTBLE112

Наименование производителя, торговое название или марка: bluegiga

Наименование модели: BLE112-A

Хаутен, Нидерланды, Январь 2024 г.



Guillaume Dubois

Руководитель отдела контроля и гарантии качества





Рекомендации по технике безопасности

- Полный текст руководства по эксплуатации доступен на сайте SKF.com и входит в комплект поставки прибора SKF TKSA 11.
- Все предупреждения по технике безопасности, содержащиеся в настоящем документе, необходимо изучить и соблюдать при работе с оборудованием. В противном случае возникает опасность получения серьезных травм, повреждения оборудования или потери данных.
- Следует прочитать и соблюдать инструкции по эксплуатации.
- Персонал должен быть одет надлежащим образом. Запрещается надевать просторную одежду или ювелирные украшения. Не допускайте захвата волос, краев одежды и перчаток движущимися частями оборудования.
- Не следует работать с чрезмерным напряжением. Ноги оператора всегда должны быть в устойчивом положении, что обеспечивает лучшее управление оборудованием в случае непредвиденной ситуации.
- Необходимо применять защитные средства. При необходимости следует носить не скользкую защитную обувь, каску и средства защиты органов слуха.
- Запрещается работать с находящимся под напряжением оборудованием без разрешения ответственного должностного лица. Всегда отключайте электропитание машины перед началом работы.
- Не подвергайте оборудование ударам, не используйте грубые приемы работы. Это может привести к лишению гарантии на оборудование.
- Не подвергайте изделие непосредственному контакту с водой, избегайте образование конденсата.
- Не вскрывайте корпус прибора.
- Используйте только дополнительные принадлежности, рекомендованные компанией SKF.
- Обслуживание прибора должно выполняться только квалифицированными специалистами компании SKF.
- Рекомендуется выполнять калибровку прибора каждые 2 года.



1. Введение

1.1 Общая информация о выверке соосности валов

Перекося валов — одна из самых распространенных причин преждевременного отказа оборудования, которую можно предотвратить. При эксплуатации оборудования с неоптимальной соосностью валов существует вероятность возникновения следующих условий:

- Снижение производительности оборудования
- Увеличение потребления энергии
- Увеличение уровня шума и вибрации
- Ускоренный износ подшипников
- Увеличенная деформация уплотнительных прокладок и механических уплотнений
- Увеличенный износ соединительной муфты
- Увеличение внеплановых простоев

Надлежащая соосность обеспечивается, когда центровые линии валов лежат на одной прямой при работе оборудования под нагрузкой, при нормальной рабочей температуре. Часто употребляется термин "центрирование валов". Если валы силовой передачи не лежат на одной прямой во время работы оборудования, такие валы несоосны.

По сути, задача состоит в размещении центров всех валов оборудования на одной прямой.

Прибор для выверки валов SKF TKSA 11 представляет собой беспроводное устройство, обеспечивающее простой и точный способ совмещения вала приводной машины (например, электродвигателя) с валом приводимой машины (например, насоса).

1.2 Принцип работы

Два индуктивных бесконтактных датчика измеряют изменение расстояния между датчиками и калибровочным стержнем. Датчики жестко закреплены на измерительном блоке на фиксированном расстоянии друг от друга. Измерительный блок надежно фиксируется на валу "подвижной" машины. Калибровочный стержень надежно фиксируется на валу "неподвижной" машины посредством магнитной опоры.

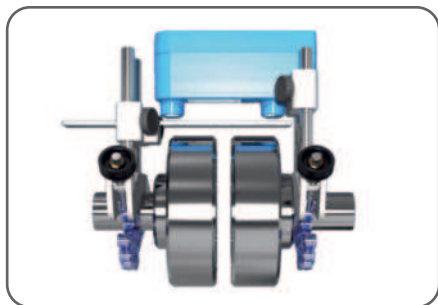
Измерения, выполненные в трех положениях, отстоящих друг от друга на 90° , называются измерением на 9 часов, измерением на 12 часов и измерением на 3 часа. При повороте валов на определенный угол любой параллельный или угловой перекося вызывает возникновение разности расстояний между двумя датчиками и калибровочным стержнем.

Информация о положении измерительного блока передается по беспроводному каналу на устройство, работающее под iOS, которое рассчитывает величину перекося вала и предлагает корректирующие регулировки для опор машины.

Если валы силовой передачи не лежат на одной прямой во время работы оборудования, они, по определению, несоосны.

1.3 Метод измерения

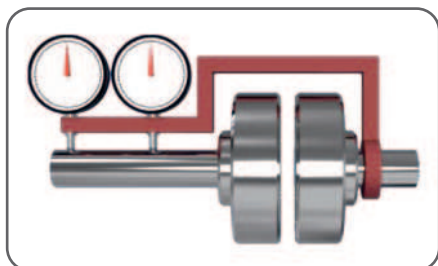
Измерительный блок ТКСА 11 измеряет два смещения по двум отдельным точкам. Калибровочный стержень действует как продолжение одного из валов. Здесь используется принцип двух радиальных смещений.



Принцип двух радиальных смещений

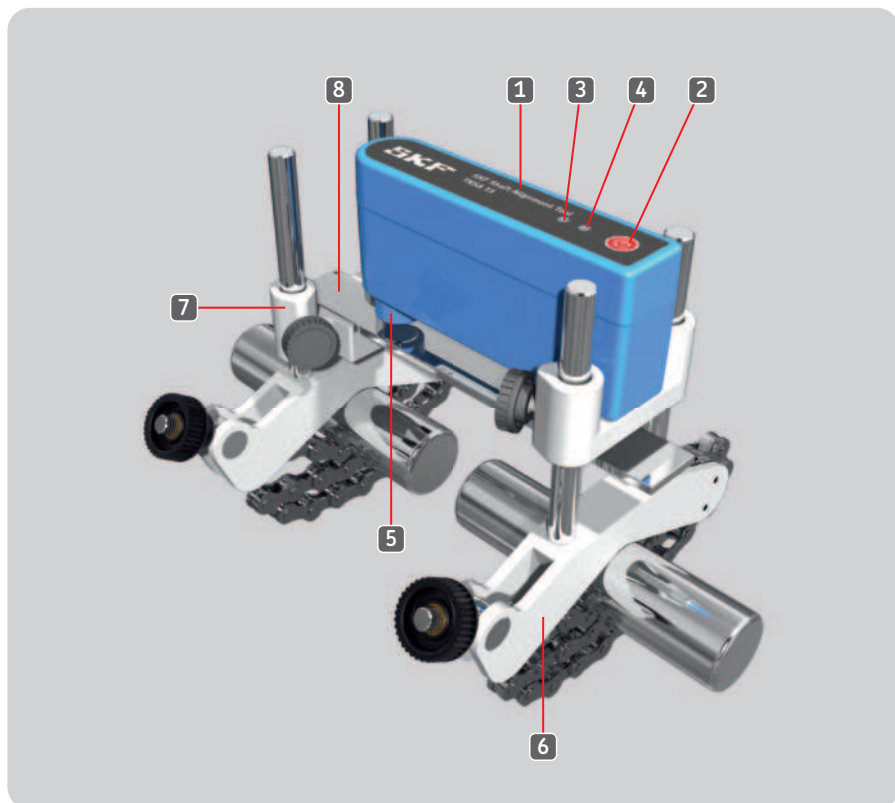
Выполняется измерение двух смещений в двух точках.

При выверке валов без применения ТКСА 11, как правило, свободной длины вала не хватает для установки индикаторных головок на достаточном расстоянии друг от друга.



2. Измерительный блок

2.1 Описание



1. Измерительный блок	5. Два индуктивных бесконтактных датчика
2. Кнопка включения/выключения	6. V-образный кронштейн с фиксирующей цепью
3. Синий светодиод "Соединение"	7. Магнитный держатель стержня
4. Красный/зеленый светодиод "Статус"	8. Калибровочный стержень

Измерительный блок TKSA 11 оснащен перезаряжаемой батареей, гнездом для подключения зарядного устройства и печатной платой.

Примечание:

Измерительный блок имеет прочный корпус и не содержит подвижных частей.

2.2 Порядок работы с измерительным блоком

- Включить блок нажатием кнопки включения питания, расположенной в верхней части блока.
- Для выключения блока нажать кнопку и удерживать ее в течение трех секунд.
- Когда блок включен, светодиод "Статус" горит зеленым цветом.
- Светодиод "Соединение" загорится синим цветом при соединении блока с приложением посредством Bluetooth.



Зарядите измерительные блоки, если приложение показывает низкий уровень заряда

- Подсоединить кабель зарядного устройства в гнездо, расположенное в нижней части блока, а другой конец кабеля к стандартному зарядному устройству USB (1А макс.) или к USB-порту компьютера.
- Когда блок выключен, красный светодиод обозначает зарядку.
- Светодиод погаснет при полностью заряженной батарее (время зарядки разряженной батареи составляет около 4 часов).

Примечание:

Блок заряжается на 90 % за 2 часа при использовании зарядного устройства мощностью 5 Вт.



2.3 Установка V-образных кронштейнов

V-образный кронштейн с магнитным держателем стержня закрепляется на валу "неподвижной" машины.

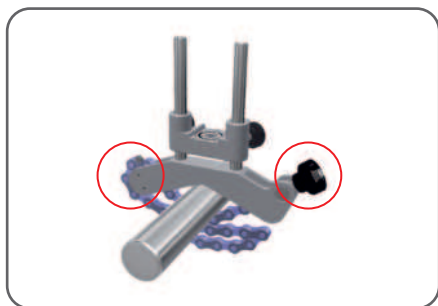
Примечание:

Неподвижная сторона (S) — машина, положение которой не изменяется при выверке валов.

Как правило, это приводимая машина, например, насос.



Для валов с диаметром до 40 мм (*менее 1,5"*) зацепить цепь на анкере V-образного кронштейна с внутренней стороны. Для валов большего диаметра зацепить цепь с наружной стороны. Выбрать слабину цепи и надежно затянуть цепь с помощью ручки натяжителя.



Установить другой кронштейн на валу "подвижной" машины. Как правило, это приводная машина, например, электродвигатель. Следует стремиться устанавливать кронштейны на небольшом расстоянии друг от друга.



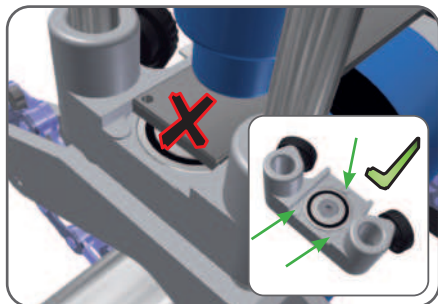
2.4 Установка стержня

На держатель калибровочного стержня уложить самый короткий стержень, длина которого достаточна для перекрытия кронштейнов. Установить в нижнее положение на направляющих. При вращении вала стержень не должен входить в контакт с любыми деталями, кроме держателя. Затянуть V-образный кронштейн с помощью двух фиксирующих ручек.



Важно:

Держатель калибровочного стержня имеет три опорных поверхности рядом с магнитом. Стержень должен опираться на **все три опорных поверхности** для обеспечения надежности крепления и точности измерения.



Замечание по люфту калибровочного стержня:

Калибровочный стержень может перемещаться в направлении перпендикулярном направлению измерения.

Допуски на плоскостность опорных поверхностей обеспечивают необходимую точность.

2.5 Установка измерительного блока

Установить измерительный блок на направляющих на "подвижной" стороне. Выставить зазор между индуктивными бесконтактными датчиками и калибровочным стержнем около 3 мм ($\frac{1}{8}$ дюйма).

"Sensor status" (Состояние датчиков) в приложении показывает надлежащее расстояние.



Рекомендации по установке:

Все калибровочные стержни имеют толщину 3 мм (0,12 дюйма). Их можно использовать в качестве измерительного щупа. Уложить второй калибровочный стержень поверх первого. Установить измерительный блок на направляющие, так чтобы датчик касался второго стержня. Зафиксировать положение блока с помощью фиксирующей ручки, убрать второй стержень и туго затянуть две фиксирующие ручки.

Выравнивать кронштейны и затянуть их с помощью ручек натяжителя.

Рекомендации по установке:

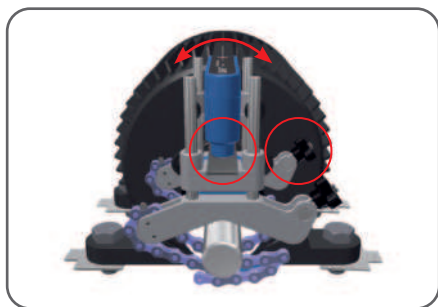
Совместить датчики с центром стержня.

Рекомендации по измерению:

Убедитесь, что во время измерения измерительный блок и калибровочный стержень остаются совмещенными, как показано на этой иллюстрации.

Примечание:

Убедитесь, что калибровочный стержень перекрывает два индуктивных бесконтактных датчика.



2.6 Установка непосредственно на соединительные муфты

Для соединительных муфт с большой разницей между диаметром вала и диаметром соединительной муфты возможна ситуация, при которой установка системы на валы невозможна.

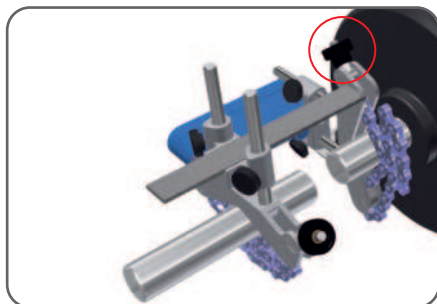
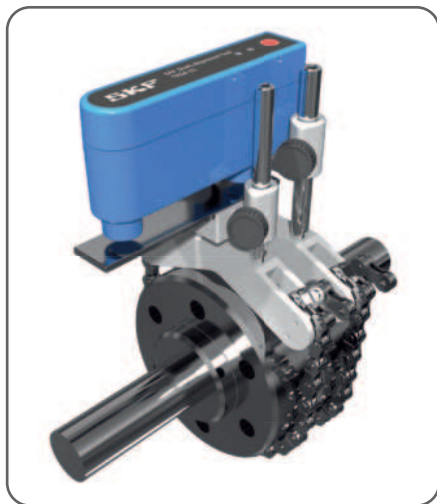
В этом случае V-образные кронштейны устанавливаются непосредственно на соединительную муфту. Точность системы не уменьшится даже при небольшом расстоянии между кронштейнами. (На этой иллюстрации показаны цепи зацепленные с наружной стороны.)

Монтажные принадлежности:

В качестве дополнительных принадлежностей доступны V-образные направляющие с удлиненными направляющими (120 мм + 80 мм), а также удлиненные цепи.

Рекомендации по монтажу:

Обычно стержень проходит через направляющие обоих V-образных кронштейнов. При выверке машин с разъединенной соединительной муфтой убедитесь, что стержень не перекрывается кронштейном. Это позволит проворачивать один из валов.



3. Использование приложения

3.1 Совместимые дисплеи

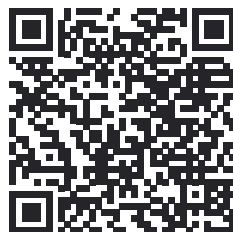
- Рекомендуется использовать iPad Mini
- iPad, iPod Touch, iPhone SE, Galaxy или выше (в комплект не входят)

3.2 Установка приложений

1. Включите Wi-Fi и подключитесь к сети Интернет
2. Нажмите на значок App Store (iOS)



или Google Play Store (Android)



3. Выберите окно поиска
4. Введите «SKF TKSA 11»
5. Выберите устанавливаемое приложение
6. Нажмите «GET» (ПОЛУЧИТЬ) (только для iOS), а затем «INSTALL» (УСТАНОВИТЬ)

3.3 Демонстрационный режим

Демонстрационный режим приложения позволяет использовать большинство функций при отсутствии измерительного блока.

Демонстрационный режим (Demo mode) доступен из меню Settings (Настройки) и из меню выбора измерительного блока, когда измерительный блок не подключен.

3.4 Главное меню

a. Новая выверка

Нажать значок "плюс" ("+"), расположенный по центру, для начала новой выверки.

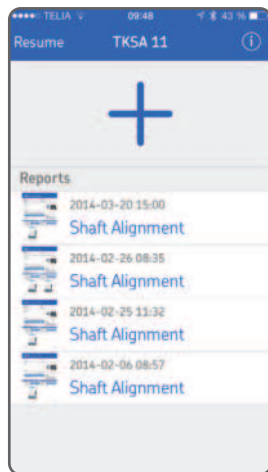
Если приложение находится в процессе выполнения выверки, будет задан вопрос о продолжении этой выверки или о запуске новой выверки.

b. Resume (Продолжить)

Продолжить выверку, начатую ранее.

с. "i" меню информации

Доступ к информационным меню "settings" (Настройки), "Help" (Помощь) и "Legal" (Правовая информация).



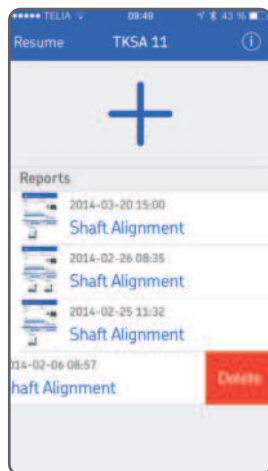
d. Reports (Отчеты)

Отчеты, созданные ранее, отображаются в виде списка.

Самый последний отчет располагается вверху списка.

Нажатие на отчет откроет его для просмотра, редактирования, печати или отправки по электронной почте.

Для удаления отчета следует провести пальцем справа налево по строке отчета. Нажать красную кнопку "Delete" (Удалить).



3.5 Settings (Настройки)

а. Компания и оператор

Добавить название компании и имя оператора. Эти данные будут отображаться в отчете.

б. Логотип компании

Добавить логотип компании в отчет, сделав фотоснимок или выбрав изображение из фотоальбома рабочего устройства.

с. TKSA 11 hardware (Аппаратное обеспечение TKSA 11)

Нажать для выбора измерительного блока.

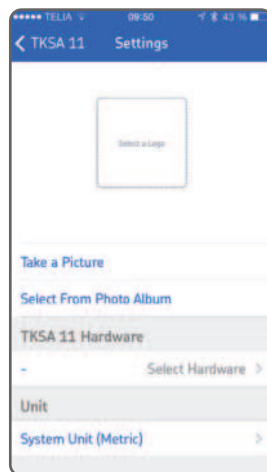
Нажать cancel (отмена) для удаления подключенного измерительного блока.

Если подключен измерительный блок, будет показан его серийный номер.

Выбрать измерительный блок можно также в демонстрационном режиме.

д. Unit (Единица измерения)

Единицы измерения отображаемых величин обычно соответствуют системным единицам измерения, но есть возможность ручного выбора метрических или имперских единиц измерения.



3.6 Select unit (Выбор блока)

Беспроводное соединение Bluetooth обеспечивает связь между iPod/iPhone или iPad и блоком TKSA 11.

Если к Вашему устройству блок не подключен, приложение попросит Вас выбрать измерительный блок TKSA или включить демонстрационный режим.

Для выбора и подключения измерительного блока к приложению нажмите строку "TKSA 11 – Serial number" (TKSA 11 – Серийный номер).

Примечание:

Не забудьте включить измерительный блок TKSA 11. Убедитесь, что Bluetooth включен на Вашем рабочем устройстве.



3.7 Machine information (Информация о машине)

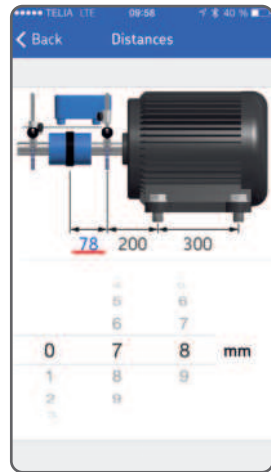
a. Distances (Расстояния)

Нажать изображение машины и ввести три размера, как описано далее.

Нажать на измерение для выбора и ввода нового значения расстояния с помощью колеса прокрутки. Расстояния, введенные в предыдущей выверке, будут значениями по умолчанию.

В связи с тем, что расстояние между датчиками имеет фиксированное значение, необходимо задать только три расстояния.

1. Измерить и ввести расстояние между соединительной муфтой и центром направляющих на подвижной стороне.
2. Измерить и ввести расстояние между направляющими на подвижной стороне и передними опорами (центром опор).
3. Измерить и ввести расстояние между передними и задними опорами (центром опор).



b. Tolerances (Допуски)

Выбрать допуски для выверки. Встроенная таблица допусков основана на частоте вращения машины, подлежащей выверке.

Примечание:

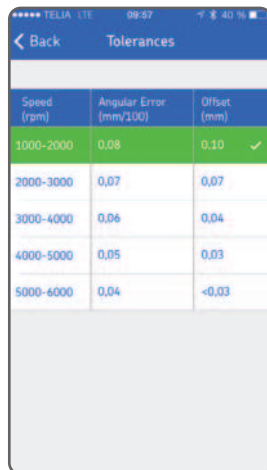
Допуски доступны в метрических и имперских единицах измерения.

c. Machine ID (Идентификатор машины)

Ввести наименование машины, которое будет отображаться в отчете (необязательное действие).

d. Photo (Фотография)

Ввести изображение машины для отчета (необязательное действие).



Speed (rpm)	Angular Error (mm/100)	Offset (mm)
1000-2000	0,08	0,10 ✓
2000-3000	0,07	0,07
3000-4000	0,06	0,04
4000-5000	0,05	0,03
5000-6000	0,04	<0,03

e. Soft foot (Неплотно прилегающая опора)

Машина имеет неплотно прилегающую опору, когда она опирается на опорную поверхность не всеми своими опорами. Это похоже на стул, раскачивающийся на трех ножках.

Наличие неплотно прилегающей опоры может затруднить процесс выверки. Если Вы сталкиваетесь с проблемой при выверке, следует проверить наличие неплотно прилегающей опоры и устранить это состояние.

Нажать на строчку Soft Foot для просмотра рекомендаций относительно измерений и корректировки неплотно прилегающей опоры.

3.8 Sensor status (Состояние датчиков)

Меню Sensor status отображается только тогда, когда зазор между индуктивными бесконтактными датчиками и калибровочным стержнем находится вне рекомендованного диапазона $3 \pm 0,5$ мм ($0,12 \pm 0,02$ дюйма), или когда уровень заряда батареи измерительного блока составляет менее 10 %.

a. Connected and serial number (Подключенный блок и серийный номер)

Отображает наличие подключенного измерительного блока TKSA 11 и его серийный номер.

b. Battery level (Уровень заряда батареи)

Отображает уровень заряда встроенной батареи. Когда уровень заряда становится менее 10 %, появляется предупреждение.

c. Probe distances (Расстояния до датчиков) (мм или мил)

Для обеспечения максимального диапазона измерений рекомендуется начинать измерения с расстоянием между датчиками и калибровочным стержнем равным $3 \pm 0,5$ мм (120 ± 20 мил). Величины, отображаемые красным цветом, находятся вне рекомендованного диапазона. Две стрелки показывают направление изменения положения измерительного блока.



Примечание:

Желтый предупредительный значок означает, что, как минимум, одно расстояние находится вне рекомендованного диапазона.

Примечание:

Красный значок "Stop" означает, что датчики слишком далеко или слишком близко от калибровочного стержня и не способны выдавать измеряемые значения.

Setup assistance (Помощь по отладке)

Указывает на причину появления предупреждения и дает советы по устранению проблемы.

d. Rotation angle (Угол поворота)

Отображение угла поворота блока, можно использовать для точного позиционирования.

3.9 Измерения

Для описания различных измерительных положений используется аналогия с часовым циферблатом. Первое измерительное положение — это положение 9 часов, если смотреть со стороны задней части подвижной машины.

Измерения выполняются последовательно в трех различных положениях (9-12-3).

Примечание:

В процессе измерения нельзя перемещать или дотрагиваться до измерительного блока, кронштейна калибровочного стержня и направляющих. Не сдвигайте стержень относительно его кронштейна.

Нельзя использовать измерительное оборудование для проворачивания валов.

Положение 9. (90°)



Положение 12. (0°)



Положение 3. (-90°)



а. Процедура измерения

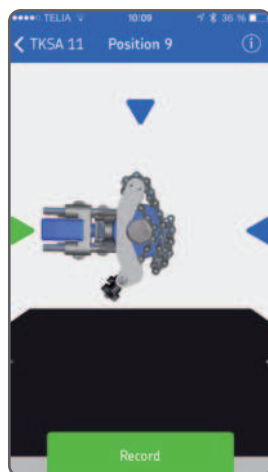
Экран показывает вид на измерительный блок со стороны подвижной машины.

Треугольный значок будет показывать требуемое положение измерительного блока на каждом этапе измерения.

1. Повернуть валы в направлении треугольника с зеленым контуром, в положение 9 часов.
2. Когда валы будут установлены в положение $\pm 5^\circ$, значок изменится на зеленый закрашенный треугольник, и кнопка Record (Записать) станет зеленого цвета.
3. Нажать "Record".
4. Повернуть валы в направлении треугольника с зеленым контуром, в положение 12 часов.
5. Нажать "Record".
6. Повернуть валы в направлении треугольника с зеленым контуром, в положение 3 часов.
7. Нажать "Record".

Примечание:

Для корректировок в горизонтальной плоскости отставьте измерительный блок в положении 3.



3.10 Результаты измерений исходного положения машины

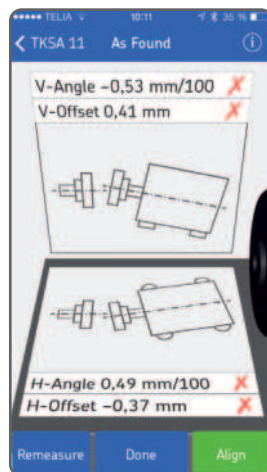
Параллельное смещение и угловой перекося относительно вертикальных, горизонтальных осей и плоскостей представляются в комбинированном виде. Схема показывает положение машины при виде сбоку и при виде сверху.

Измеренные величины сравниваются с выбранными допусками, а значки справа указывают, находятся ли измеренные величины в этих допусках.

В допуске:



Не в допуске:



а. Remeasure (Повторное измерение)

При необходимости выбрать “Remeasure” для сброса результатов измерений и выполнения нового цикла измерений.

б. Done (Готово)

Принять результаты измерений и перейти в главное меню. Будет создан отчет.

Примечание:

После нажатия “Done” существует возможность возобновить выверку.

с. Align (Коррекция положения)

Выполнить коррекцию положения в вертикальной и горизонтальной плоскости. Зеленый цвет кнопки “Align” означает, что некоторые величины находятся вне допуска, и требуется коррекция положения.

3.11 Регулировка положения машины с помощью пластин

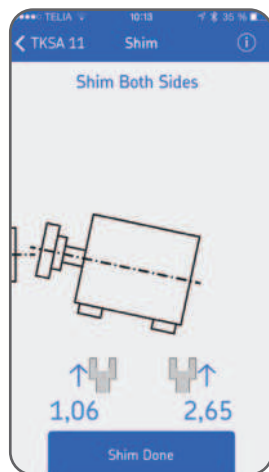
Если положение машины в вертикальной плоскости находится вне допуска, необходимо его скорректировать путем добавления или удаления регулировочных пластин. Система рассчитывает корректировочные значения для опор машины. Стрелки показывают необходимость добавления или удаления регулировочных пластин. Корректировочные значения имеют фиксированный характер и не изменяются в процессе корректировки положения машины. Нажать кнопку "Shim Done" после выполнения корректировки.

Примечание:

Регулировочные пластины должны устанавливаться под **пару** опор в передней или задней части машины. "Регулировка по обеим сторонам машины".

Примечание:

Если кнопка "Shim Done" имеет зеленый цвет, установка регулировочных пластин не требуется.



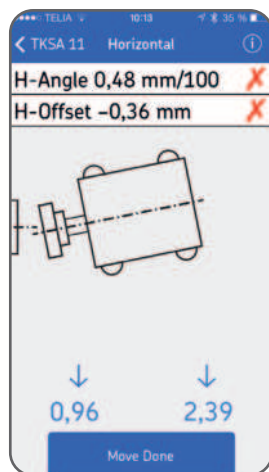
3.12 Регулировка положения машины в горизонтальной плоскости

1. Убедиться, что измерительный блок установлен в положение 3 часа. На основе измеренных величин смещения и углового перекоса система рассчитывает корректировочные величины по опорам подвижной машины в режиме реального времени.
2. Сдвинуть машину в горизонтальной плоскости в направлении стрелок, схематичное изображение и величины смещения и углового перекоса будут непрерывно обновляться.

Примечание:

Если измерительный блок отклонится от положения 3 часов более чем на $\pm 5^\circ$, экран станет тусклым, а корректировочные величины исчезнут. Для отображения корректировочных величин в режиме реального времени повернуть валы в положение 3 часа. Можно нажать значок "i" в правом верхнем углу экрана для просмотра текущего угла поворота и повернуть валы в положение -90° .

3. После установки машины в требуемое положение затянуть болты и проверить значения измерений для того, чтобы убедиться в правильности положения.
4. Когда положение машины находится в допуске, кнопка "Move Done" (Корректировка положения выполнена) становится зеленого цвета.



3.13 Проверка результата выверки

Для проверки результата выверки система инициирует повторную процедуру измерения. Этот этап является обязательным.

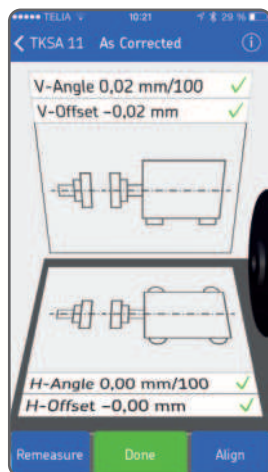


3.14 Результаты измерений положения машины после корректировки

Если кнопка "Done" имеет зеленый цвет, положение машины находится в выбранных допусках.

Если нет, нажать кнопку "Align" для устранения перекоса.

Нажать кнопку "Done" для выхода в главное меню и автоматического создания отчета.



3.15 Отчет

Отчеты автоматически генерируются в виде PDF-файлов и отображаются в главном меню как иконки.

Нажатие на строчку с отчетом приводит к его открытию.

В режиме просмотра отчета можно масштабировать изображение.

Нажать на открытый отчет для его редактирования.



Для копирования, печати и отправки по электронной почте.

a. Edit Report (Редактировать отчет)

Отчет содержит информацию об измерениях и может быть дополнен дополнительной информацией.

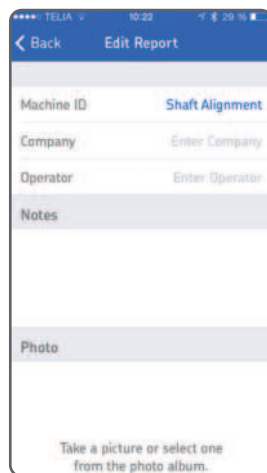
Нажать на поле, которое необходимо отредактировать.

b. Notes (Примечания)

Вписать в этом поле дополнительные комментарии.

c. Signature (Подпись)

Нажать поле Signature и вписать свою подпись. При изменении отчета подпись автоматически удаляется.



4. Технические характеристики

Технические данные	
Наименование	TKSA 11
Описание	Прибор для выверки валов SKF TKSA 11

Измерительный блок (ИБ)	
Тип датчиков	Два индуктивных бесконтактных датчика
Электронные инклинометры	Да
Радиосвязь	Bluetooth 4.0, с низким энергопотреблением
Радиус связи	> 10 м (> 11 ярдов)
Материал корпуса	пластик PC/ABS
Цвета	Синий SKF
Размеры	105 × 55 × 55 мм (4,1 × 2,2 × 2,2 дюйма)
Вес	155 г (0,34 фунта)
Калибровочные стержни	в комплекте 3 штуки 100 мм, 150 мм, 200 мм (3,9 дюйма, 5,9 дюйма, 7,9 дюйма)
Материал калибровочных стержней	Никелированная сталь

Рабочие характеристики	
Размер области измерения	от 0 до 185 мм (от 0 до 7,3 дюйма) между кронштейнами
Диапазон измерения датчиков	5 мм (0,2 дюйма)
Погрешность измерений	Менее 2 %
Отображаемое разрешение измерений	10 мкм (0,4 мил)
Разрешение инклинометра	±0,1°
Точность инклинометра	±0,5°

Рабочее устройство	
Совместимые рабочие устройства	Рекомендуется использовать iPad Mini, iPad, iPod Touch, iPhone SE, Galaxy или выше (в комплект не входят)
Рабочее устройство	TKSA 11: Не поставляется
Обновление программы/приложения	Apple AppStore и Google Play Store
Требования к операционной системе	Apple iOS 9 или Android OS 10 (и выше)

Кронштейны для фиксации на валу	
Фиксирующие приспособления	Два V-образных кронштейна с цепями
Материал	Анодированный алюминий
Диаметры валов	от 20 до 160 мм (от 0,8 до 5,9 дюйма)
Максимальная рекомендуемая высота соединительной муфты	55 мм (2,2 дюйма) при стандартных направляющих длиной 80 мм
Ширина V-образного основания	15 мм (0,6 дюйма)
Длина цепей	480 мм (18,9 дюйма), в комплекте (удлиненные цепи в качестве опционального оснащения)
Направляющие	Две направляющих 80 мм (3,1 дюйма), на каждый кронштейн

Особенности	
Метод выверки	Три измерения в положениях 9-12-3 часа
Корректировка положения в вертикальной плоскости (регулируемые прокладки)	Да
Корректировка положения в горизонтальной плоскости в режиме реального времени	Да
Подготовка отчета	Автоматическое создание отчета в формате .pdf
Цифровая камера	Да, если имеется на рабочем устройстве
Переключение ориентации экрана	Только портретный режим

Батарея и питание	
Батарея в ИБ	1 900 мАч, перезаряжаемая литий-полимерная батарея
Длительность работы ИБ	До 18 часов непрерывной работы
Адаптер электропитания	Зарядка через microUSB-порт (5В) Кабель Micro USB - USB в комплекте Совместим с зарядными устройствами USB, 5В, в комплект не входит
Длительность зарядки	4 часа (при токе зарядки 1 А), 90 % за 2 часа

Размеры и вес	
Размеры кейса	360 × 110 × 260 мм (14,3 × 4,3 × 10,2 дюйма)
Общий вес (вкл. кейс)	2,1 кг (4,6 фунта)

Рабочие условия	
Рабочая температура	от 0 до +45 °C (от 32 до 113 °F)
Температура хранения	от -20 до +70 °C (от -4 до +158 °F)
Относительная влажность	от 10 до 90 %, без конденсации
Класс IP	IP 54 для измерительного блока (IP 67 для датчиков)

Комплектация	
Калибровочный сертификат	Срок действия 2 года
Содержимое кейса	1 × Измерительный блок TKSA 11
	3 × Калибровочные стержни
	2 × V-образные кронштейны с цепями
	1 × Кабель для зарядки Micro USB / USB
	1 × Измерительная рулетка, 2 м, с метрической и имперской шкалой
	1 × Отпечатанный сертификат калибровки и соответствия
	1 × Отпечатанное краткое руководство пользователя (на английском языке)
	1 × Кейс SKF

Дополнительное оборудование	
Обозначение	Описание
TKSA 11-EBK	2 × Кронштейны с удлиняемыми направляющими, со съемными направляющими 120 мм + 80 мм (цепь в комплект не входит)
Принадлежности для TKSA 51, которые также совместимы с TKSA 11	
TKSA 51-EXT50	1 × Смещённый кронштейн 50 мм с 2 × стержнями 80 мм
TKSA 51-EXTCH	2 × Удлинительные цепи длиной 1 м для вала диаметром до 450 мм
TKSA 51-R0D120	4 × Резьбовых удлинителя 120 мм
TKSA 51-R0D80	4 × Резьбовых удлинителя 80 мм
TKSA 51-SLDBK	1 × Регулируемый перемещаемый кронштейн (без стержней) для валов > 30 мм или отверстия > 120 мм
TKSA 51-SPDBK	1 × Осевой кронштейн с 2 × стержнями 80 мм

Запасные части	
Обозначение	Описание
TKSA 11-MBH	1 × Магнитный держатель стержня
TKSA 11-RB	1 × Набор калибровочных стержней (100 мм, 150 мм, 200 мм)
TKSA 11-VBK	1 × Стандартный кронштейн, включая направляющие 80 мм, и 1 × стандартная цепь 480 мм
TDTC 1/B	Общий кейс без содержимого, размер В
Запасные части для TKSA 51, которые также совместимы с TKSA 11	
TKSA 51-VBK	1 × Стандартный кронштейн цепи с резьбовыми стержнями длиной 80 мм и 1 × стандартной цепью длиной 480 мм, и 4 × магнитами

The contents of this publication are the copyright of the publisher and may not be reproduced (even extracts) unless prior written permission is granted. Every care has been taken to ensure the accuracy of the information contained in this publication but no liability can be accepted for any loss or damage whether direct, indirect or consequential arising out of the use of the information contained herein.

Nachdruck, auch auszugsweise, nur mit unserer vorherigen schriftlichen Genehmigung gestattet. Die Angaben in dieser Druckschrift wurden mit größter Sorgfalt auf ihre Richtigkeit hin überprüft. Trotzdem kann keine Haftung für Verluste oder Schäden irgendwelcher Art übernommen werden, die sich mittelbar oder unmittelbar aus der Verwendung der hier enthaltenen Informationen ergeben.

El contenido de esta publicación es propiedad de los editores y no puede reproducirse (incluso parcialmente) sin autorización previa por escrito. Se ha tenido el máximo cuidado para garantizar la exactitud de la información contenida en esta publicación, pero no se acepta ninguna responsabilidad por pérdidas o daños, ya sean directos, indirectos o consecuentes, que se produzcan como resultado del uso de dicha información.

Le contenu de cette publication est soumis au copyright de l'éditeur et sa reproduction, même partielle, est interdite sans autorisation écrite préalable. Le plus grand soin a été apporté à l'exactitude des informations données dans cette publication mais SKF décline toute responsabilité pour les pertes ou dommages directs ou indirects découlant de l'utilisation du contenu du présent document.

La riproduzione, anche parziale, del contenuto di questa pubblicazione è consentita soltanto previa autorizzazione scritta della SKF. Nella stesura è stata dedicata la massima attenzione al fine di assicurare l'accuratezza dei dati, tuttavia non si possono accettare responsabilità per eventuali errori od omissioni, nonché per danni o perdite diretti o indiretti derivanti dall'uso delle informazioni qui contenute.

O conteúdo desta publicação é de direito autoral do editor e não pode ser reproduzido (nem mesmo parcialmente), a não ser com permissão prévia por escrito. Todo cuidado foi tomado para assegurar a precisão das informações contidas nesta publicação, mas nenhuma responsabilidade pode ser aceita por qualquer perda ou dano, seja direto, indireto ou consequente como resultado do uso das informações aqui contidas.

Содержание этой публикации является собственностью издателя и не может быть воспроизведено (даже частично) без предварительного письменного разрешения. Несмотря на то, что были приняты все меры по обеспечению точности информации, содержащейся в настоящем издании, издатель не несёт ответственности за любой ущерб, прямой или косвенный, вытекающий из использования вышеуказанной информации.

本出版物内容的著作权归出版者所有且未经事先书面许可不得被复制(甚至引用)。我们已采取了一切注意措施以确定本出版物包含的信息准确无误,但我们不对因使用此等信息而产生的任何损失或损害承担任何责任,不论此等责任是直接、间接或附随性的。



skf.com • skf.com/mapro

© SKF is a registered trademark of the SKF Group.

© SKF Group 2025

MP5433 - 2025/03