

# SKF Alarm and Display Module (CMPT DCL)

For machinery fault detection

The SKF CMPT DCL is a digital alarm and display module. It is used as part of a machinery fault detection system to monitor analog signals from the SKF CMPT CTU vibration transmitter, various thermocouples and resistive temperature detectors (RTD).

The SKF CMPT DCL is a single channel module with digital display and alarm function with LED event lamp and relay contacts. The front panel digital display gives the user a visual indication of the monitored signal. The display can be scaled to indicate vibration (gE, g, mm/s, in./s), temperature (°C, °F), etc.

The SKF CMPT DCL has programmable alarm and relay functions for remote control/indication of an alarm event and has a variable time delay. The SKF CMPT DCL can indicate High, Low, High-Low and various other alarm limits. The front panel event lamp illuminates (red) to indicate alarm. The relay contacts are programmable with various options (Normally Open/Normally Close, Non-latching/Latching).

The SKF CMPT DCL provides a 4 to 20 mA output signal proportional to the scaled analog input signal.

Two SKF CMPT DCL modules are needed for standalone monitoring of a SKF CMPT CTU vibration transmitter (one each for vibration and temperature). One SKF CMPT CTU and two SKF CMPT DCL modules are together a user-friendly fault detection system of machinery vibration and temperature. The SKF CMPT CTU transmitter can also be connected directly to the PLC/DCS automation system without the SKF CMPT DCL modules.

## Features

- Monitors various inputs
  - Current (mA)
  - DC voltage (i.e., vibration or temperature signals from SKF CMPT CTU)
  - Thermocouple
  - RTD
- Digital LED display of monitored signals



## Features (continued)

- Programmable alarm function (one channel)
  - Alarm on High, Low or High-Low signal input, etc.
  - Front panel LED event lamp
  - Relay contacts
    - Normally Open or Normally Closed
    - Latching or Non-latching
  - Time delay (0 to 9 999 seconds)
- Analog output signal (4 to 20 mA)
- Front panel user configurable
  - Input type
  - Display scaling
  - Alarm function
  - Analog output scaling
- No need for voltmeter and screwdriver to set alarm function
- 35 mm DIN rail mounted

## Specifications

### Power requirements

- Supply Voltage: 24 VAC/DC (20 to 28 VAC/DC)
- Supply current: 200 mA, maximum
- Power: 6 W, maximum

### Sensor input

- Current<sup>1)</sup>: 4 to 20 mA, 0 to 20 mA (input impedance: 50 Ω)
  - Voltage: 0 to 10 V DC; 0 to 1 V DC; 0 to 5 V DC; 1 to 5 V DC (input impedance > 100 kΩ)
  - Thermocouple: K, J, R, S, B, E, T, N, PL-II, C (W/Re5-26) (100 Ω wire resistance or less)
  - RTD: Pt100, JPt100 three-wire system (10 Ω or less per wire)
- <sup>1)</sup> 50 Ω shunt resistor required at input terminals (not included).

### Alarm function

- LED event lamp on front display (red)
- Relay contact: 48 V DC/AC; 1 A maximum
- Programmable:
  - Alarm setting value
  - Optional alarm on High limit, Low limit, High-Low limit, High-Low range limit
  - Optional Normally Open or Normally Closed relay contacts
  - Optional Latching or Non-latching relay contacts
  - Variable time delay (0 to 9 999 seconds)

### Output

- Output signal: 4 to 20 mA, proportional to scaled input

### Digital display

- LED: Four red
  - Height: 7,4 mm (0.29 in.)
  - Width: 4,0 mm (0.16 in.)
- Scalable for:
  - Vibration (gE, g, mm/s, in./s)
  - Temperature (°C, °F)
  - Etc.

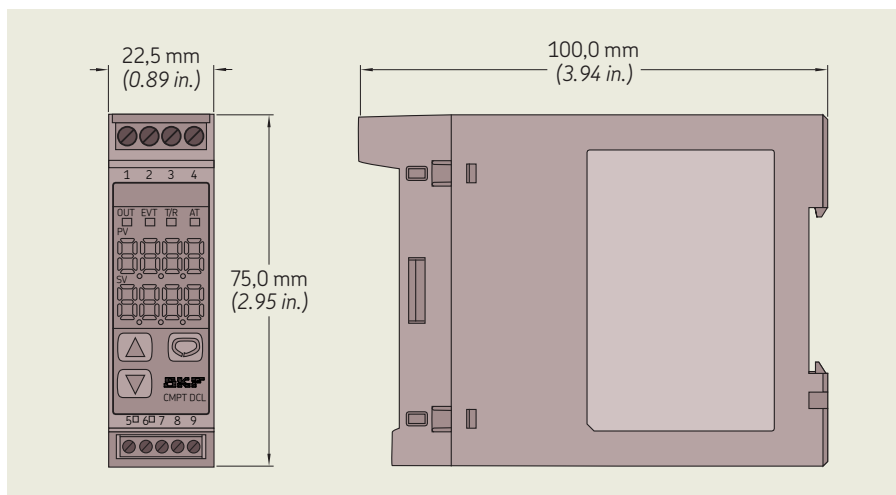
### Environmental

- Operating temperature: –10 to +50 °C (15 to 120 °F)
- Storage temperature: –25 to +65 °C (–15 to +150 °F)
- Humidity: 85 % maximum
- IP rating: 30

### Mechanical

- Weight: 0,12 kg (0.27 lbs.)
- Enclosure: Polyethylene and PET resin
- Color: Gray with green terminals
- Connectors:
  - One 4-pole screw clamp
  - One 5-pole screw clamp
- Wiring:
  - Power and analog output 0,2 to 1,5 mm diameter (0.008 to 0.060 in.)
  - Input and relay out 0,2 to 0,5 mm diameter (0.008 to 0.030 in.)
- Mounting: 35 mm DIN-rail type EN50022
- Dimensions H × W × D: 75,0 × 22,5 × 100,0 mm (2.95 × 0.89 × 3.94 in.)
- Approval: CE

See the SKF CMPT DCL Installation Manual for programming information and additional details for the interface with sensors, SKF CMPT CTU, power supply, etc.



Please contact:

**SKF Sweden**

Aurorum 30, SE-977 75 · Luleå, Sweden

Tel: +46 (0)31 337 1000 · Fax: +46 (0)920 134 40

[skf.com/cm](http://skf.com/cm)

© SKF is a registered trademark of the SKF Group.

All other trademarks are the property of their respective owners.

© SKF Group 2018

The contents of this publication are the copyright of the publisher and may not be reproduced (even extracts) unless prior written permission is granted. Every care has been taken to ensure the accuracy of the information contained in this publication but no liability can be accepted for any loss or damage whether direct, indirect or consequential arising out of the use of the information contained herein.

PUB CM/P8 12820 EN · December 2018

## Ordering information

- CMPT DCL – Display – Copperhead alarm/display/relay module