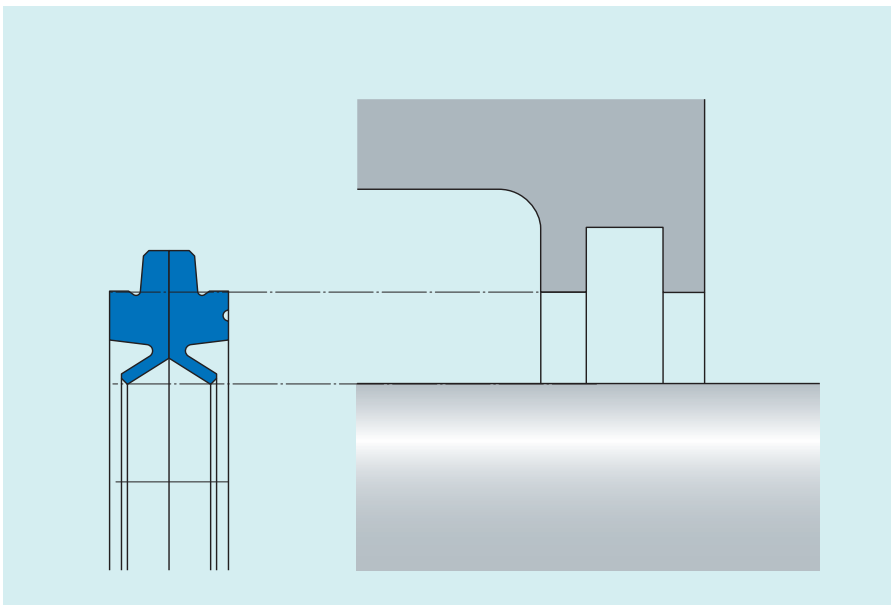


DTZ seals

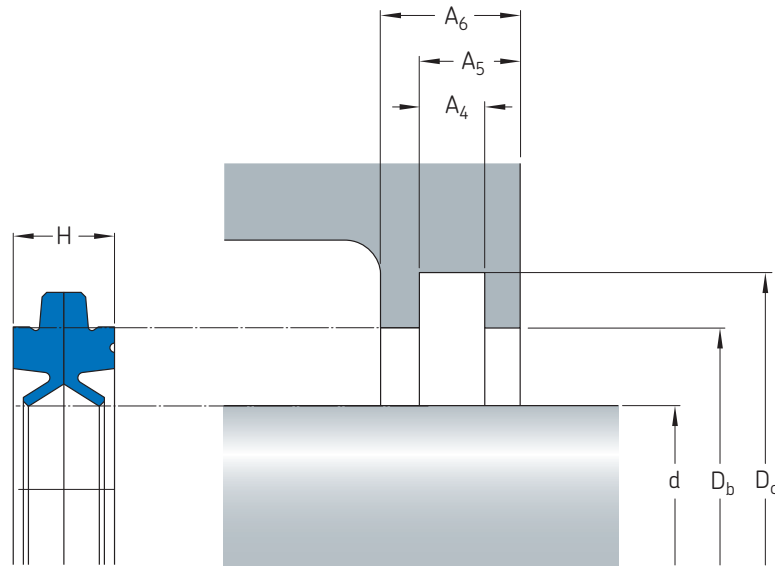


Surface roughness	R_{tmax}	R_a
	μm	
Sliding surface	$\leq 2,5$	$< 0,8$

Higher surface roughness values (up to max. $R_a < 3,2 \mu m$) are possible, but seal performance or lifetime can be compromised.

Operating parameters				
Material Seal	Temperature		Speed ¹⁾	Misalignment ²⁾
	from	to	max	max
	$^{\circ}C$		m/s	$^{\circ}$
■ ECOPUR DD	-30	+100	11	0,5 – 1
■ SKF Econbr	-30	+100	11	0,5 – 1

IMPORTANT NOTE: Seal design specified for grease lubrication without pressure only. The stated operating conditions represent general indications. It is recommended not to use all maximum values simultaneously.
¹⁾ Surface speed limit values are valid only in the presence of a lubrication film. Ratings are depending also on heat removal possibilities.
²⁾ Fabrication tolerances of the diameters are to be considered.



Housing dimensions

SNL Housing designation	D _b H12	D _c	A ₄ H15	A ₅	A ₆	Metric shafts			Inch shafts			
						d h9	DTZ seal designation	G-(L-) style cross reference	d h9	DTZ seal designation	G-(L-) style cross reference	
						mm				inch		
SNL 205	36,5	44,5	5	7,5	10	20	DTZ 605 ¹⁾	TSN 605 G				
						25	DTZ 506 ²⁾	TSN 506 G				
						30	DTZ 205 ¹⁾	TSN 205 G				
SNL 206 - 305	46,5	54,5	5	7,5	10	25	DTZ 606 ²⁾	TSN 606 G				
						30	DTZ 507	TSN 305 G (507 L)				
						35	DTZ 206	TSN 206 G				
SNL 207	56,5	64,5	5	8	11	40	DTZ 509	TSN 509 G (L)				
						45	DTZ 207	TSN 207 G				
SNL 208 - 307	62	70,5	5	8	11	35	DTZ 608 ³⁾	TSN 608 G				
						45	DTZ 510	TSN 307 G (510 L)				
						50	DTZ 208	TSN 208 G				
SNL 209	67	75,5	5	9	12	40	DTZ 609 ³⁾	TSN 609 G (L)				
						50	DTZ 511 ³⁾	TSN 511 G (L)				
						55	DTZ 209	TSN 209 G				
SNL 210	72	80,5	5	9	12	45	DTZ 610 ¹⁾	TSN 610 G (L)				
						55	DTZ 512	TSN 512 G (L)				
						60	DTZ 210	TSN 210 G				
SNL 211	77	85,5	5	9	12	50	DTZ 611 ³⁾	TSN 611 G (L)				
						60	DTZ 513	TSN 513 G (L)				
						65	DTZ 211	TSN 211 G				
SNL 212	87	95,5	5	9	12	55	DTZ 612 ¹⁾	TSN 612 G (L)				
						65	DTZ 515 ³⁾	TSN 515 G (L)				
						70	DTZ 212	TSN 212 G				
SNL 213	92,5	101	5	9	13	60	DTZ 613 ³⁾	TSN 613 G (L)				
						70	DTZ 516	TSN 516 G (L)				
						75	DTZ 213	TSN 213 G				
SNL 215	102,5	111	5	9	13	80	DTZ 518 ³⁾	TSN 518 G (L)				
						85	DTZ 215	TSN 215 G				
						90	DTZ 216	TSN 216 G				
SNL 216	108	116,5	5	9	13	90	DTZ 216	TSN 216 G				
SNL 217	112	120,5	5	9	13	95	DTZ 217	TSN 217 G				
SNL 218	120	128,5	5	9	13	100	DTZ 218	TSN 218 G (L)				
SNL 505	31,5	39,5	5	7,5	10	20	DTZ 505 ¹⁾	TSN 505 G	3/4	DTZ 505/3/4 ¹⁾	TSN 505 GE	
SNL 506 - 605	36,5	44,5	5	7,5	10	25	DTZ 506 ¹⁾	TSN 506 G	3/4	DTZ 605/3/4 ¹⁾	TSN 605 GE	
									15/16	DTZ 506/15/16	TSN 506 GA	
						30	DTZ 205 ¹⁾	TSN 205 G	1	DTZ 506/1	TSN 506 G	

IMPORTANT NOTES:

- ¹⁾ Currently not available on SKF SEALJET DD. For alternative TZ seals please contact your nearest SKF machined seals unit.
- ²⁾ Only in ECOPUR DD possible.
- ³⁾ Only in SKF Econbr possible.

Housing dimensions

SNL Housing designation	D _b H12	D _c	A ₄ H15	A ₅	A ₆	Metric shafts			Inch shafts			
						d h9	DTZ seal designation	G-(L-) style cross reference	d h9	DTZ seal designation	G-(L-) style cross reference	
						mm				inch		
SNL 507 - 606	46,5	54,5	5	8	11	25	DTZ 606 ²⁾	TSN 606 G	15/16	DTZ 606/15/16 ²⁾	TSN 606 GA	
						30	DTZ 507	TSN 207 L (507 L)	1 3/16	DTZ 507/1.3/16	TSN 507 L	
						35	DTZ 306	TSN 306 G	1	DTZ 606/1 ²⁾	TSN 606 G	
SNL 508 - 607	51,5	59,5	5	8	11	30	DTZ 607	TSN 607 G	1 1/8	DTZ 507/1.1/8	TSN 507 GS	
									1 1/8	DTZ 607/1.1/8	TSN 607 GS	
						35	DTZ 508	TSN 508 L	1 3/8	DTZ 508/1.3/8	TSN 508 L	
SNL 509	56,5	64,5	5	9	12	40	DTZ 509	TSN 509 L	1 3/16	DTZ 607/1.3/16	TSN 607 G	
						45	DTZ 307	TSN 307 G	1 1/4	DTZ 508/1.1/4	TSN 508 GE	
									1 3/16	DTZ 607/1.3/16	TSN 607 G	
SNL 510 - 608	62	70,5	5	9	12	40	DTZ 509	TSN 509 L	1 7/16	DTZ 509/1.7/16 ³⁾	TSN 509 GA	
						45	DTZ 307	TSN 307 G	1 1/2	DTZ 509/1.1/2 ³⁾	TSN 509 GE	
						35	DTZ 608 ³⁾	TSN 608 G	1 1/4	DTZ 608/1.1/4 ³⁾	TSN 608 GE	
SNL 511 - 609	67	75,5	5	9	12	45	DTZ 510	TSN 510 L	1 3/8	DTZ 608/1.3/8 ³⁾	TSN 608 G	
						50	DTZ 308	TSN 308 G	1 3/4	DTZ 510/1.3/4	TSN 510 L	
						40	DTZ 609 ³⁾	TSN 609 G (L)	1 11/16	DTZ 510/1.11/16	TSN 510 GA	
SNL 512 - 610	72	80,5	5	9	12	50	DTZ 511 ³⁾	TSN 511 L	1 1/2	DTZ 609/1.1/2 ³⁾	TSN 609 GE	
						55	DTZ 309	TSN 309 G	1 15/16	DTZ 511/1.15/16 ³⁾	TSN 511 L	
						55	DTZ 309	TSN 309 G	1 7/16	DTZ 609/1.7/16 ³⁾	TSN 609 GA	
SNL 513 - 611	77	85,5	5	9	13	60	DTZ 610 ¹⁾	TSN 610 G (L)	2	DTZ 511/2	TSN 511 L	
						60	DTZ 310	TSN 310 G	1 11/16	DTZ 610/1.11/16 ¹⁾	TSN 610 GA	
						60	DTZ 310	TSN 310 G	1 3/4	DTZ 610/1.3/4 ¹⁾	TSN 610 G (L)	
SNL 515 - 612	87	95,5	5	9	13	60	DTZ 512	TSN 512 L	2 1/8	DTZ 512/2.1/8	TSN 512 GS	
						65	DTZ 515 ³⁾	TSN 515 L	2 7/16	DTZ 515/2.7/16 ³⁾	TSN 515 GA (LA)	
						70	DTZ 312	TSN 312 G	2 1/2	DTZ 515/2.1/2 ³⁾	TSN 515 GE	
SNL 516 - 613	92,5	101	5	9	13	60	DTZ 611 ³⁾	TSN 611 G (L)	2 3/16	DTZ 611/1.15/16 ³⁾	TSN 611 G (L)	
						70	DTZ 513	TSN 513 L	2	DTZ 611/2	TSN 611 G (L)	
						65	DTZ 311	TSN 311 G	2 3/16	DTZ 513/2.3/16	TSN 513 GA (LA)	
SNL 517	97,5	106	5	9	13	65	DTZ 612 ¹⁾	TSN 612 G (L)	2 1/4	DTZ 513/2.1/4	TSN 513 GE	
						65	DTZ 515 ³⁾	TSN 515 L	2 1/8	DTZ 612/2.1/8 ¹⁾	TSN 612 GS	
						70	DTZ 312	TSN 312 G	2 7/16	DTZ 515/2.7/16 ³⁾	TSN 515 GA (LA)	
SNL 518 - 615	102,5	111	5	9	13	70	DTZ 613 ³⁾	TSN 613 G (L)	2 1/2	DTZ 515/2.1/2 ³⁾	TSN 515 GE	
						70	DTZ 516	TSN 516 L	2 3/16	DTZ 613/2.3/16 ¹⁾	TSN 613 GA	
						75	DTZ 313	TSN 313 G	2 1/4	DTZ 613/2.1/4 ¹⁾	TSN 613 GE	
SNL 519 - 616	131	141	6	10	14	75	DTZ 517	TSN 517 L	2 3/4	DTZ 516/2.3/4	TSN 516 L	
						80	DTZ 314	TSN 314 G	2 11/16	DTZ 516/2.11/16	TSN 516 GA	
						80	DTZ 615 ¹⁾	TSN 615 G (L)	2 15/16	DTZ 517/2.15/16	TSN 517 L	
SNL 520 - 617	137,5	147,5	6	10	14	85	DTZ 518 ³⁾	TSN 518 L	3	DTZ 517/3	TSN 517 L	
						85	DTZ 315	TSN 315 G	2 7/16	DTZ 615/2.7/16 ¹⁾	TSN 615 GA	
						70	DTZ 616 ¹⁾	TSN 616 G (L)	2 1/2	DTZ 615/2.1/2 ¹⁾	TSN 615 GE	
SNL 522 - 619	147,5	157,5	6	10	14	85	DTZ 518 ³⁾	TSN 518 L	3 3/16	DTZ 518/3.3/16 ³⁾	TSN 518 L	
						90	DTZ 316 ¹⁾	TSN 316 G	3 1/4	DTZ 518/3.1/4	TSN 518 L	
						90	DTZ 616 ¹⁾	TSN 616 G (L)	2 11/16	DTZ 616/2.11/16 ¹⁾	TSN 616 GA	
SNL 524 - 620	157,5	167,5	6	11	15	90	DTZ 519 ¹⁾	TSN 519 L	2 3/4	DTZ 616/2.3/4 ¹⁾	TSN 616 G (L)	
						90	DTZ 316 ¹⁾	TSN 316 G	2 3/4	DTZ 616/2.3/4 ¹⁾	TSN 616 G (L)	
						90	DTZ 617 ¹⁾	TSN 617 G (L)	2 15/16	DTZ 617/2.15/16 ¹⁾	TSN 617 G (L)	
SNL 526	167,5	177,5	6	11	15	90	DTZ 520 ¹⁾	TSN 520 L	3	DTZ 617/3 ¹⁾	TSN 617 G (L)	
						95	DTZ 317 ¹⁾	TSN 317 G	3 7/16	DTZ 520/3.7/16 ¹⁾	TSN 520 GA	
						115	DTZ 220	TSN 220 G (L)	3 1/2	DTZ 520/3.1/2 ¹⁾	TSN 520 GE	
SNL 528	177,5	187,5	6	11	15	100	DTZ 619 ¹⁾	TSN 619 G	3 1/4	DTZ 619/3.1/4 ¹⁾	TSN 619 GE	
						100	DTZ 522 ¹⁾	TSN 522 L	3 15/16	DTZ 522/3.15/16 ¹⁾	TSN 522 L	
						125	DTZ 222	TSN 222 G (522 L)	4	DTZ 522/4 ¹⁾	TSN 522 L	
SNL 528	177,5	187,5	6	11	15	110	DTZ 620 ¹⁾	TSN 620 G	4	DTZ 522/4 ¹⁾	TSN 522 L	
						110	DTZ 524 ¹⁾	TSN 524 G (L)	3 7/16	DTZ 620/3.7/16 ¹⁾	TSN 620 GA	
						135	DTZ 224 ³⁾	TSN 224 G (L)	3 1/2	DTZ 620/3.1/2 ¹⁾	TSN 620 GE	
SNL 528	177,5	187,5	6	11	15	115	DTZ 526 ¹⁾	TSN 526 G (L)	4 3/16	DTZ 524/4.3/16 ¹⁾	TSN 524 GA	
						145	DTZ 226	TSN 226 G (L)	4 1/4	DTZ 524/4.1/4 ¹⁾	TSN 524 GE	
						125	DTZ 528 ¹⁾	TSN 528 G (L)	4 7/16	DTZ 526/4.7/16 ¹⁾	TSN 526 GA	
SNL 528	177,5	187,5	6	11	15	125	DTZ 228 ²⁾	TSN 228 G	4 1/2	DTZ 526/4.1/2 ¹⁾	TSN 526 G (L)	
						155	DTZ 228 ²⁾	TSN 228 G	4 15/16	DTZ 528/4.15/16 ¹⁾	TSN 528 G (L)	
									5	DTZ 528/5 ¹⁾	TSN 528 GE	

Ordering example, metric, ECOPUR DD: DTZ 605
 Seal design: Rotary seal DTZ
 SNL housing + metric shaft combination: 605
 Standard sealing material: ECOPUR DD

Ordering example, inch, other material: DTZ 605/3/4 SKF Econbr
 Design: Rotary seal DTZ
 SNL housing + inch shaft combination: 605/3/4
 Sealing material: SKF Econbr



skf.com | skf.com/seals

® SKF, SEALJET and ECOPUR are registered trademarks of the SKF Group.

© SKF Group 2019

The contents of this publication are the copyright of the publisher and may not be reproduced (even extracts) unless prior written permission is granted. Every care has been taken to ensure the accuracy of the information contained in this publication but no liability can be accepted for any loss or damage whether direct, indirect or consequential arising out of the use of the information contained herein.

PUB SE/P8 18144/1 EN · November 2019