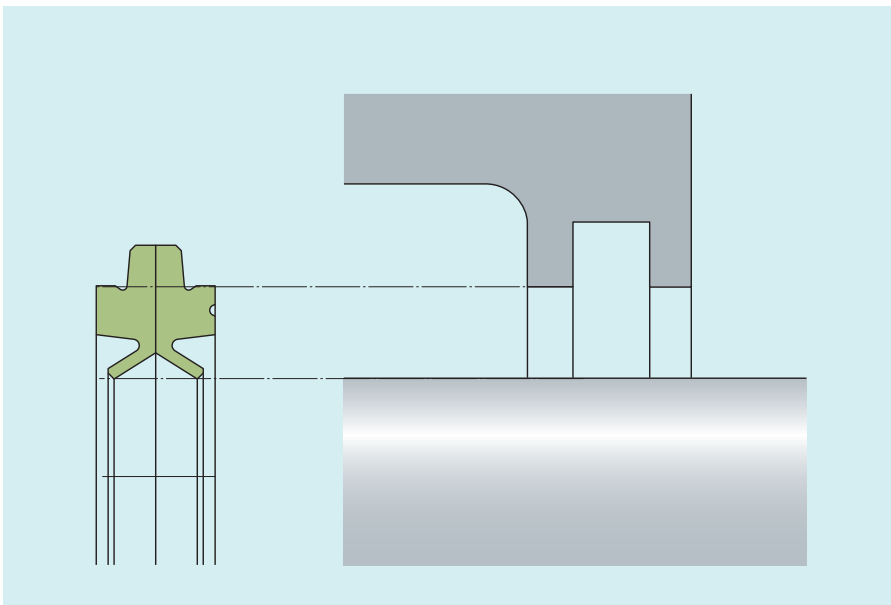


TZ seals



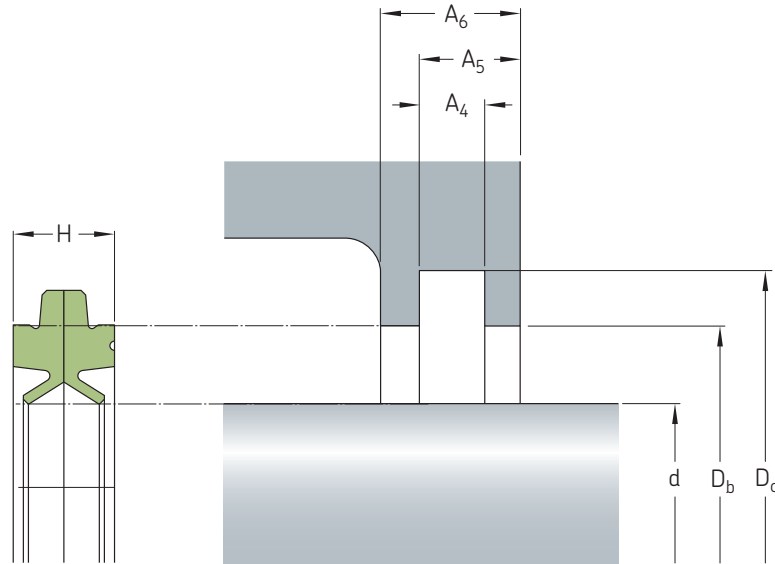
Surface roughness	R_{tmax}	R_a
	μm	
Sliding surface	$\leq 2,5$	$< 0,8$

Higher surface roughness values (up to max. $R_a < 3,2 \mu m$) are possible, but seal performance or lifetime can be compromised.

Operating parameters				
Material Seal	Temperature		Speed ¹⁾	Misalignment ²⁾
	from	to	max	max
	$^{\circ}C$		m/s	$^{\circ}$
■ ECOPUR	-30	+110	11	0,5 – 1
■ H-ECOPUR	-20	+110	11	0,5 – 1
■ S-ECOPUR	-20	+110	11	0,5 – 1
■ SKF Ecorubber-1	-30	+100	11	0,5 – 1
■ SKF Ecorubber-H	-25	+150	11	0,5 – 1

IMPORTANT NOTE: Seal design specified for grease lubrication without pressure only. The stated operating conditions represent general indications, it is recommended not to use all maximum values simultaneously. Specified temperature range is relating to the corresponding seal material, operation in low temperature range for short terms only (e.g. cold start-up), during this time, the seal performance can be compromised.

¹⁾ Surface speed limit values are valid only in the presence of a lubrication film. Ratings are depending also on heat removal possibilities.
²⁾ Fabrication tolerances of the diameters are to be considered.



Housing dimensions

SNL Housing designation	D_b H12	D_c	A_4 H15	A_5	A_6	Metric shafts			Inch shafts			
						d h9	TZ seal designation	G-(L-) style cross reference	d h9	TZ seal designation	G-(L-) style cross reference	
						mm				inch		
SNL 205	36,5	44,5	5	7,5	10	20	TZ 605	TSN 605 G				
						25	TZ 506	TSN 506 G				
						30	TZ 205 ¹⁾	TSN 205 G ¹⁾				
SNL 206 - 305	46,5	54,5	5	7,5	10	25	TZ 606	TSN 606 G				
						30	TZ 507	TSN 305 G (507 L)				
						35	TZ 206	TSN 206 G				
SNL 207	56,5	64,5	5	8	11	40	TZ 509	TSN 509 G (L)				
						45	TZ 207	TSN 207 G				
SNL 208 - 307	62	70,5	5	8	11	35	TZ 608	TSN 608 G				
						45	TZ 510	TSN 307 G (510 L)				
						50	TZ 208	TSN 208 G				
SNL 209	67	75,5	5	9	12	40	TZ 609	TSN 609 G (L)				
						50	TZ 511	TSN 511 G (L)				
SNL 210	72	80,5	5	9	12	55	TZ 209	TSN 209 G				
						45	TZ 610	TSN 610 G (L)				
						55	TZ 512	TSN 512 G (L)				
SNL 211	77	85,5	5	9	12	60	TZ 210	TSN 210 G				
						50	TZ 611	TSN 611 G (L)				
						60	TZ 513	TSN 513 G (L)				
SNL 212	87	95,5	5	9	12	65	TZ 211	TSN 211 G				
						55	TZ 612	TSN 612 G (L)				
						65	TZ 515	TSN 515 G (L)				
SNL 213	92,5	101	5	9	13	70	TZ 212	TSN 212 G				
						60	TZ 613	TSN 613 G (L)				
						70	TZ 516	TSN 516 G (L)				
SNL 215	102,5	111	5	9	13	75	TZ 213	TSN 213 G				
						65	TZ 615	TSN 615 G (L)				
						80	TZ 518	TSN 518 G (L)				
SNL 216	108	116,5	5	9	13	85	TZ 215	TSN 215 G				
						90	TZ 216	TSN 216 G				
						95	TZ 217	TSN 217 G				
SNL 217	112	120,5	5	9	13	95	TZ 217	TSN 217 G				
SNL 218	120	128,5	5	9	13	100	TZ 218	TSN 218 G (L)				
SNL 505	31,5	39,5	5	7,5	10	20	TZ 505	TSN 505 G	3/4	TZ 505/3/4	TSN 505 GE	
SNL 506 - 605	36,5	44,5	5	7,5	10	25	TZ 506	TSN 506 G	3/4	TZ 605/3/4	TSN 605 GE	
									15/16	TZ 506/15/16	TSN 506 GA	
						30	TZ 205 ¹⁾	TSN 205 G ¹⁾	1	TZ 506/1	TSN 506 G	

IMPORTANT NOTES:

¹⁾ Please contact your nearest SKF machined seals unit, not part of standard software.

Housing dimensions

SNL Housing designation	Housing dimensions					Metric shafts			Inch shafts		
	D _b H12	D _c	A ₄ H15	A ₅	A ₆	d h9	TZ seal designation	G-(L-) style cross reference	d h9	TZ seal designation	G-(L-) style cross reference
	mm					mm			inch		
SNL 507 - 606	46,5	54,5	5	8	11	25	TZ 606	TSN 606 G	15/16	TZ 606/15/16	TSN 606 GA
						30	TZ 507	TSN 207 L (507 L)	1 3/16	TZ 507/1.3/16	TSN 507 L
						35	TZ 306	TSN 306 G	1	TZ 606/1	TSN 606 G
SNL 508 - 607	51,5	59,5	5	8	11	30	TZ 607	TSN 607 G	1 1/8	TZ 507/1.1/8	TSN 507 GS
									1 1/8	TZ 607/1.1/8	TSN 607 GS
						35	TZ 508	TSN 508 L	1 3/8	TZ 508/1.3/8	TSN 508 L
SNL 509	56,5	64,5	5	9	12	40	TZ 509	TSN 509 L	1 3/16	TZ 607/1.3/16	TSN 607 G
						45	TZ 307	TSN 307 G	1 1/4	TZ 508/1.1/4	TSN 508 GE
						45	TZ 307	TSN 307 G	1 7/16	TZ 509/1.7/16	TSN 509 GA
SNL 510 - 608	62	70,5	5	9	12	35	TZ 608	TSN 608 G	1 1/2	TZ 509/1.1/2	TSN 509 GE
						45	TZ 608	TSN 608 G	1 1/4	TZ 608/1.1/4	TSN 608 GE
									1 3/8	TZ 608/1.3/8	TSN 608 G
SNL 511 - 609	67	75,5	5	9	12	50	TZ 308	TSN 308 G	1 3/4	TZ 510/1.3/4	TSN 510 L
						40	TZ 609	TSN 609 G (L)	1 11/16	TZ 510/1.11/16	TSN 510 GA
						50	TZ 511	TSN 511 L	1 1/2	TZ 609/1.1/2	TSN 609 GE
SNL 512 - 610	72	80,5	5	9	12	40	TZ 511	TSN 511 L	1 15/16	TZ 511/1.15/16	TSN 511 L
						55	TZ 309	TSN 309 G	1 7/16	TZ 609/1.7/16	TSN 609 GA
						60	TZ 610	TSN 610 G (L)	2	TZ 511/2	TSN 511 L
SNL 513 - 611	77	85,5	5	9	13	45	TZ 610	TSN 610 G (L)	1 11/16	TZ 610/1.11/16	TSN 610 GA
						60	TZ 310	TSN 310 G	1 3/4	TZ 610/1.3/4	TSN 610 G (L)
						55	TZ 512	TSN 512 L	2 1/8	TZ 512/2.1/8	TSN 512 GS
SNL 515 - 612	87	95,5	5	9	13	50	TZ 611	TSN 611 G (L)	1 15/16	TZ 611/1.15/16	TSN 611 G (L)
						60	TZ 513	TSN 513 L	2	TZ 611/2	TSN 611 G (L)
						65	TZ 311	TSN 311 G	2 3/16	TZ 513/2.3/16	TSN 513 GA (LA)
SNL 516 - 613	92,5	101	5	9	13	55	TZ 612	TSN 612 G (L)	2 1/4	TZ 513/2.1/4	TSN 513 GE
						65	TZ 515	TSN 515 L	2 1/8	TZ 612/2.1/8	TSN 612 GS
						70	TZ 312	TSN 312 G	2 7/16	TZ 515/2.7/16	TSN 515 GA (LA)
SNL 517	97,5	106	5	9	13	60	TZ 613	TSN 613 G (L)	2 1/2	TZ 515/2.1/2	TSN 515 GE
						70	TZ 516	TSN 516 L	2 3/16	TZ 613/2.3/16	TSN 613 GA
						75	TZ 313	TSN 313 G	2 1/4	TZ 613/2.1/4	TSN 613 GE
SNL 518 - 615	102,5	111	5	9	13	75	TZ 517	TSN 517 L	2 3/4	TZ 516/2.3/4	TSN 516 L
						80	TZ 314	TSN 314 G	2 11/16	TZ 516/2.11/16	TSN 516 GA
						65	TZ 615	TSN 615 G (L)	2 15/16	TZ 517/2.15/16	TSN 517 L
SNL 519 - 616	131	141	6	10	14	80	TZ 518	TSN 518 L	3	TZ 517/3	TSN 517 L
						85	TZ 315	TSN 315 G	2 7/16	TZ 615/2.7/16	TSN 615 GA
						70	TZ 616	TSN 616 G (L)	2 1/2	TZ 615/2.1/2	TSN 615 GE
SNL 520 - 617	137,5	147,5	6	10	14	85	TZ 519	TSN 519 L	3 3/16	TZ 518/3.3/16	TSN 518 L
						90	TZ 316	TSN 316 G	3 1/4	TZ 518/3.1/4	TSN 518 L
						75	TZ 617	TSN 617 G (L)	2 11/16	TZ 616/2.11/16	TSN 616 GA
SNL 522 - 619	147,5	157,5	6	10	14	90	TZ 520	TSN 520 L	2 3/4	TZ 616/2.3/4	TSN 616 G (L)
						95	TZ 317	TSN 317 G	3	TZ 617/3	TSN 617 G (L)
						115	TZ 220	TSN 220 G (L)	2 15/16	TZ 617/2.15/16	TSN 617 G (L)
SNL 524 - 620	157,5	167,5	6	11	15	100	TZ 619	TSN 619 G	3	TZ 520/3.1/2	TSN 520 GE
						125	TZ 522	TSN 522 L	3 7/16	TZ 520/3.7/16	TSN 520 GA
						90	TZ 620	TSN 620 G	3 1/2	TZ 520/3.1/2	TSN 520 GE
SNL 526	167,5	177,5	6	11	15	110	TZ 524	TSN 524 G (L)	3 1/2	TZ 619/3.1/4	TSN 619 GE
						135	TZ 224	TSN 224 G (L)	3 15/16	TZ 522/3.15/16	TSN 522 L
						90	TZ 620	TSN 620 G	4	TZ 522/4	TSN 522 L
SNL 528	177,5	187,5	6	11	15	110	TZ 524	TSN 524 G (L)	4 3/16	TZ 620/3.7/16	TSN 620 GA
						135	TZ 224	TSN 224 G (L)	4 1/4	TZ 620/3.1/2	TSN 620 GE
						115	TZ 526	TSN 526 G (L)	4 7/16	TZ 524/4.1/4	TSN 524 GE
SNL 530	192,5	202,5	6	11	15	145	TZ 226	TSN 226 G (L)	4 1/2	TZ 526/4.1/2	TSN 526 G (L)
						125	TZ 528	TSN 528 G (L)	4 15/16	TZ 526/4.1/2	TSN 526 G (L)
						155	TZ 228	TSN 228 G	5	TZ 528/5	TSN 528 GE
SNL 532	202,5	212,5	6	11	15	135	TZ 530	TSN 530 G (L)	5 3/16	TZ 528/5	TSN 528 GE
						165	TZ 230	TSN 230 G	5 3/16	TZ 530/5.3/16	TSN 530 GA
						140	TZ 532	TSN 532 G (L)	5 1/4	TZ 530/5.1/4	TSN 530 GE
					175	TZ 232	TSN 232 G	5 7/16	TZ 532/5.7/16	TSB 532 GA	

Ordering example, metric, ECOPUR: TZ 605

Seal design: Rotary seal TZ
 SNL housing + metric shaft combination: 605
 Standard sealing material: ECOPUR

Ordering example, inch, other material: TZ 605/3/4 SKF Ecorubber-H

Design: Rotary seal TZ
 SNL housing + inch shaft combination: 605/3/4
 Sealing material: SKF Ecorubber-H



skf.com | skf.com/seals

® SKF, ECOPUR, H-ECOPUR and S-ECOPUR are registered trademarks of the SKF Group.

© SKF Group 2019

The contents of this publication are the copyright of the publisher and may not be reproduced (even extracts) unless prior written permission is granted. Every care has been taken to ensure the accuracy of the information contained in this publication but no liability can be accepted for any loss or damage whether direct, indirect or consequential arising out of the use of the information contained herein.

PUB SE/P8 18146/1 EN · November 2019