

Figure 1

### PRECAUTIONS

- Always read carefully and understand instructions prior to using this equipment.
- Wear safety glasses at all times.
- Operate vehicle only in a well ventilated area, and away from potential sources of flame or ignition.
- Prior to and during operation of the engine, make sure all equipment components, body parts, and personal clothing are clear of rotating engine components.
- Avoid burns by remaining cautious of engine parts that may become hot when the engine is running.
- Never leave a vehicle unattended while performing this procedure.

### KIT INCLUDES

- MVA662  
Ford Power Steering Adapter
- MVA661  
GM Power Steering Adapter
- MVA660  
Universal Power Steering Adapter
- Instruction manual

### PROCEDURES

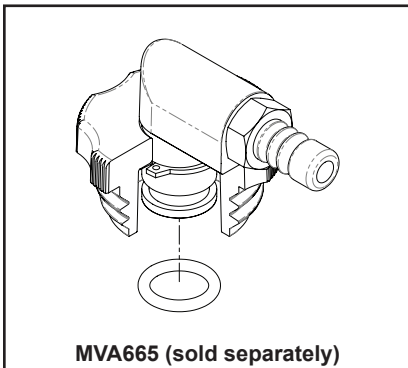
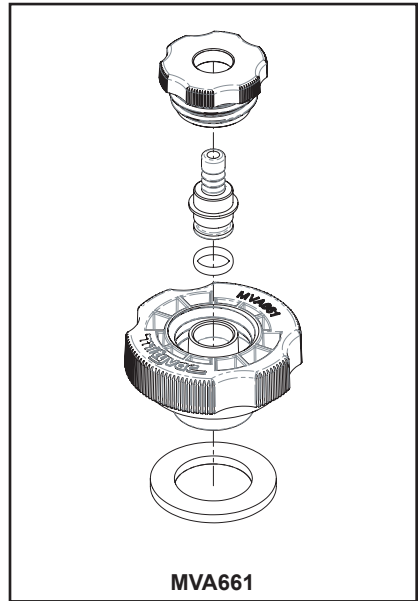
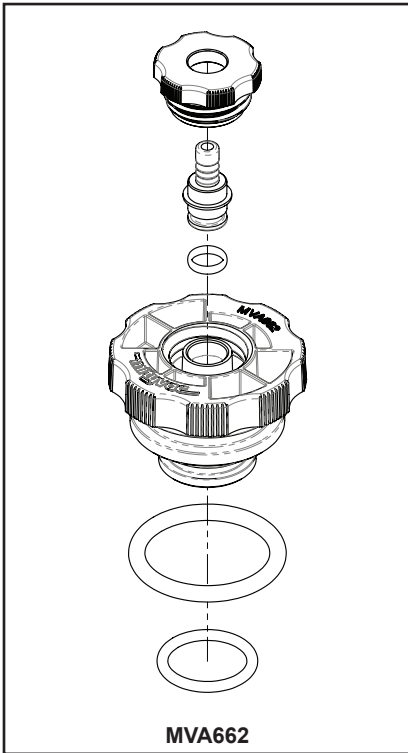
#### Bleeding air from the power steering system

1. Check the level of power steering fluid in the reservoir. It should be between the MAX and MIN level when the fluid is at normal ambient temperature. Adjust the level as necessary.
2. Remove the reservoir cap and insert the appropriate Power Steering Adapter into the neck of the reservoir until it is snug.  
**NOTE:** In the case of limited clearance, a right angle adapter is included for use with the Ford and GM adapters. To install the adapter, unscrew the thumb-knob securing the straight barb in place. Remove the straight barb and install the right angle adapter in its place.
3. Connect the hand vacuum pump and reservoir to the adapter as shown in figure 1.  
**NOTE:** The fluid bottle is required to prevent fluid from entering the pump.
4. Operate the vacuum pump to apply 20-25 in-Hg (68-85 kPa) vacuum to the system. Maintain the vacuum for at least three minutes.  
**IMPORTANT:** To prevent damage to the pump, do not run the engine while the system is under vacuum.
5. Release the vacuum and remove the plug from the reservoir.
6. Top-off the fluid level as required.
7. Repeat the process until the fluid level remains stable.

8. Start the engine and turn the wheel lock-to-lock three to five times.  
**IMPORTANT:** Do not hold the wheel at the stops.
9. Stop the engine and check the power steering system for leaks.
10. Check the fluid in the reservoir for bubbles and check the level. If bubbles are present or the fluid level is low, repeat the procedure as necessary.

#### Checking for power steering leaks

1. Check the level of power steering fluid in the reservoir. It should be between the MAX and MIN level when the fluid is at normal ambient temperature. Adjust the level as necessary.
2. Remove the reservoir cap and insert the required Power Steering Adapter into the neck of the reservoir until it is snug.
3. Connect the hand vacuum pump and reservoir to the evac adapter as shown in figure 1.  
**NOTE:** The fluid bottle is required to prevent fluid from entering the pump.
4. Operate the vacuum pump to apply 20-25 in-Hg (68-85 kPa) vacuum to the system.  
**IMPORTANT:** To prevent damage to the pump, do not run the engine while the system is under vacuum.
5. Watch the gauge needle. A drop of more than 2 or 3 in-Hg indicates a leak in the system. Also, air bubbles can typically be seen in the reservoir.
6. If a leak exists, repair and retest.





## **Lincoln Industrial Standard Warranty**

### **LIMITED WARRANTY**

Lincoln warrants the equipment manufactured and supplied by Lincoln to be free from defects in material and workmanship for a period of one (1) year following the date of purchase, excluding therefrom any special, extended, or limited warranty published by Lincoln. If equipment is determined to be defective during this warranty period, it will be repaired or replaced, within Lincoln's sole discretion, without charge.

This warranty is conditioned upon the determination of a Lincoln authorized representative that the equipment is defective. To obtain repair or replacement, you must ship the equipment, transportation charges prepaid, with proof of purchase to a Lincoln Authorized Warranty and Service Center within the warranty period.

This warranty is extended to the original retail purchaser only. This warranty does not apply to equipment damaged from accident, overload, abuse, misuse, negligence, faulty installation or abrasive or corrosive material, equipment that has been altered, or equipment repaired by anyone not authorized by Lincoln. This warranty applies only to equipment installed, operated and maintained in strict accordance with the written specifications and recommendations provided by Lincoln or its authorized field personnel.

**THIS WARRANTY IS EXCLUSIVE AND IS IN LIEU OF ANY OTHER WARRANTIES, EXPRESSED OR IMPLIED, INCLUDING, BUT NOT LIMITED TO, THE WARRANTY OF MERCHANTABILITY OR WARRANTY OF FITNESS FOR A PARTICULAR PURPOSE.**

In no event shall Lincoln be liable for incidental or consequential damages. Lincoln's liability for any claim for loss or damages arising out of the sale, resale or use of any Lincoln equipment shall in no event exceed the purchase price. Some jurisdictions do not allow the exclusion or limitation of incidental or consequential damages, therefore the above limitation or exclusion may not apply to you.

This warranty gives you specific legal rights. You may also have other rights that vary by jurisdiction.

Customers not located in the Western Hemisphere or East Asia: Please contact Lincoln GmbH & Co. KG, Walldorf, Germany, for your warranty rights.

### **Lincoln Industrial Contact Information:**

To find Lincoln Industrial's Nearest Service Center call the following numbers, or you may also use our web site.

Customer Service: 314-679-4200

Web site: [lincolnindustrial.com](http://lincolnindustrial.com)

#### **Americas:**

One Lincoln Way  
St. Louis, MO 63120-1578  
USA  
Phone +1 314 679 4200  
Fax +1 800 424 5359

#### **Europe/Africa:**

SKF Lubrication Systems  
Germany GmbH  
Walldorf Plant  
Heinrich-Hertz-Str. 2-8  
DE-69190 Walldorf  
Phone +49 (0) 6227 33-0  
Fax +49 (0) 6227 33-259  
[www.skf.com/lubrication](http://www.skf.com/lubrication)  
[Lubrication-germany@skf.com](mailto:Lubrication-germany@skf.com)

#### **Asia/Pacific:**

No. 3 Tampines Central 1  
#04-05, Abacus Plaza.  
Singapore 529540  
Tel +65 6588 0188  
Fax +65 6588 3438