



**PNEUMATIVAC**  
**8.8 Liter/9.3 Quarts Capacity**  
**Capacité 8,8 Litres/9,3 Pintes**  
**Capacidad de 8,8 litros/9,3 cuartos de galón**  
**MODEL/MODÈLE/MODELO MV7300**

**Recommended Inlet**

**Air Pressure:** 80 - 120 psi  
(5.5 - 7 bar)

**Pression d'admission**

**d'air recommandée :** 5,5 - 7 bars  
(80 - 120 psi)

**Presión de aire de entrada**

**recomendada:** 80 - 120 lb/pulg<sup>2</sup>  
(5.5 - 7 bares).



**8.8 liter  
Reservoir Tank**  
**Réservoir de 8,8  
litres**  
**Depósito de 8,8  
litros**

**Brake  
Bleeder**  
**Purgeur de  
Frein**  
**Purgador de  
frenos**

**Dipstick  
Tubes**  
**Tubes de jauge  
d'huile**  
**Tubos de varilla  
indicadora de  
nivel**

## ©Precautions:

This equipment is designed for servicing a variety of vehicles in a safe and convenient manner. However, differences in engine blocks and dip stick configurations may make it impossible to use this equipment on every vehicle. The procedures documented in this manual are to serve as guidelines for general use of this equipment. In addition to these guidelines, always follow the manufacturer's recommended procedures when attempting to use this equipment on each unique vehicle. Do not attempt to force the tubes included with this equipment into a dip stick tube that will not readily accept the smaller of the two tubes. The tubes would appear to be too large and not designed to be used with the particular vehicle.

Draining oil with this evacuator unit through the dipstick tube is expected to be simple and straightforward. The instructions were written as a general guideline only.

**NOTE: DO NOT FORCE THE TUBE INTO ANY CRANKCASE AND MAKE SURE THAT YOU STOP PUSHING THE TUBE IN IF ANY FORCE IS RECOGNIZED. YOUR PARTICULAR DEALER SHOULD BE CONTACTED FOR DETAIL ON USING THIS EQUIPMENT TO EVACUATE OIL FROM YOUR CAR IF ISSUES ARISE.**

Always read carefully and understand instructions prior to using this equipment.

**Tighten lid-to-reservoir screws before first use and periodically to ensure proper seal.**

## Recommended Fluids:

Engine Oil, Gear and Transmission Oils, Power Steering Fluid, Coolants, Brake Fluid and Other Fluids.



## Using the PneumatiVac away from a Compressed Air Source

The PneumatiVac is equipped with an air control valve on the Venturi at the base of the unit and an in-line fluid shut off valve on the hose assembly. This allows the unit to function away from the air source as follows:

- Once the compressed air source has been connected to the Venturi, open the air control valve and close the in-line fluid shut off valve.
- Maintain a vacuum in the reservoir and then close the air control valve.
- Disconnect the PneumatiVac from the compressed air source and transport it to your job site.
- Open the in-line fluid shut off valve and the vacuum stored in the reservoir will automatically suction out the fluid.

When used in conjunction with the Mityvac® Fluid Evacuator Brake Bleeding Accessory Kit, PIN 07205, this tool can be used to vacuum bleed hydraulic brake systems.

The reservoir tank of the PneumatiVac is equipped with an automatic shut-off valve to prevent over-filling of the reservoir tank. As the fluid being evacuated flows into the reservoir tank it will raise the float. When the float reaches the shut-off valve, the flow of fluid being extracted will automatically stop.

## Extracting and Dispensing Lubricants (General)

(Motor oil, Gear Oil, Transmission Fluid, etc.)

### Extracting and Dispensing Motor Oil into a Crankcase

1. Park vehicle on level ground, ensure the transmission of the vehicle is in "neutral" or "park" position and apply the parking brake.
2. Start the engine. Allow the engine to idle until it reaches normal operating temperature. Once this is accomplished, turn engine off.
3. Remove the engine oil dipstick.
4. Select and insert the smallest diameter dipstick tube into the dipstick hole until it reaches the bottom of the oil pan. Connect the main suction tube to the dipstick tube.
5. Insert the opposite end of the main suction tube into the top of the reservoir tank.
6. Connect air hose to the venturi at the base of the PneumatiVac. This will require a male 1/4" NPT fitting (not included).
7. Open the air valve thereby creating a vacuum inside the reservoir tank that will be used to extract the fluids.

© Indicates change

**NOTE:** Due to the varying fluid capacities of engines, it may be necessary to empty the fluid reservoir tank and restart the process if the crankcase capacity exceeds 8 liters.

8. Once the oil has been extracted from the crankcase, remove the main suction tube from the reservoir tank; pour the oil from the tank into a suitable container, and dispose of the oil in an appropriate manner. Rinse out the reservoir tank with clean solvent or engine degreaser. Allow it to dry thoroughly.
9. Refilled the crankcase to the desired level.
10. Run the engine momentarily to circulate the new oil and then recheck the level to ensure that it is at the "full" mark.

### **Extracting and Dispensing Fluid into Transmission Cases and Differentials**

1. Follow Steps 1 & 2. (See Extracting and Dispensing Motor Oil into a Crankcase)
2. Remove the transmission fluid dipstick or fill plug.

## **WARNING**

**In some applications this may require jacking or lifting the vehicle. Use appropriate safety stands to avoid serious or fatal injury.**

3. Select and insert the appropriate diameter dipstick tube into the dipstick fill hole until it reaches the bottom of the transmission pan or gear case. Connect the main suction tube to the dipstick tube.
4. Insert the opposite end of the main suction tube into the top of the reservoir tank.
5. Connect air hose to the venturi at the base of the PneumatiVac. This will require a male 1/4" NPT fitting (not included).
6. Open the air valve thereby creating a vacuum inside the reservoir tank that will be used to extract the fluids.
7. Once the desired amount of fluid has been extracted, close the air control valve to stop the extraction process.
8. Remove the main suction tube from the reservoir tank; pour the transmission fluid from the tank into a suitable container, and dispose of the transmission fluid in an appropriate manner. Rinse out the reservoir tank with clean solvent or engine degreaser. Allow it to dry thoroughly.
9. Refill the transmission to the desired level.
10. Run the engine until it reaches operating temperature to circulate the new fluid and then re-check the level to ensure that it is full.

### **Extracting and Dispensing Coolant into a Cooling System**

1. Allow the engine to cool.
2. Remove the radiator I expansion tank cap.
3. Select the largest diameter dipstick tube and insert the tube into the radiator neck or expansion tank.
4. Insert the opposite end of the main suction tube into the top of the reservoir tank.
5. Connect air hose to the venturi at the base of the PneumatiVac. This will require a male 1/4" NPT fitting (not included).
6. Open the air valve thereby creating a vacuum inside the reservoir tank that will be used to extract the fluids.
7. Once the desired amount of fluid has been extracted, close the air control valve to stop the extraction process.
8. Remove the main suction tube from the reservoir tank; pour the fluid from the tank into a suitable container, and dispose of the fluid in an appropriate manner. Rinse out the reservoir tank with clean solvent or engine degreaser. Allow it to dry thoroughly.
9. Refill the system to the desired level.
10. Run the engine until it reaches operating temperature to circulate the new fluid and then re-check the level to ensure that it is full.

## **Extracting Brake Fluid from the Master Cylinder**

1. Clean the exterior of the master cylinder and master cylinder cap. (This will prevent dirt from entering the master cylinder reservoir when the cap is removed.)
2. Remove the lid of the master cylinder reservoir.

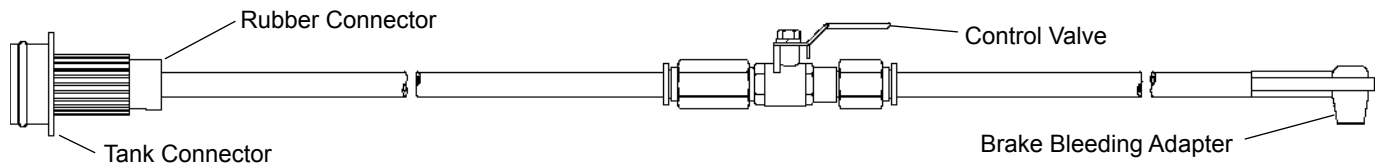
### **WARNING**

**Prior to inserting the extraction tube into the master cylinder reservoir, be sure that the extraction tube is clean and free of any other types of fluid. Failure to do so would result in contamination of the brake fluid in the hydraulic system and cause potential brake failure.**

3. Select the appropriate “dipstick” tube and connect it to the main suction tube.
4. Insert the opposite end of the main suction tube into the top of the reservoir tank.
5. Insert the end of the extraction tube into the master cylinder reservoir.
6. Connect air hose to the venturi at the base of the PneumatiVac. This will require a male 1/4” NPT fitting (not included).
7. Open the air valve thereby creating a vacuum inside the reservoir tank that will be used to extract the fluids.
6. Once the brake fluid has been extracted, remove the main suction tube from the reservoir tank; pour the brake fluid from the tank into a suitable container, and dispose of it in an appropriate manner. Rinse out the reservoir tank with clean solvent or engine degreaser. Allow it to dry thoroughly.
7. After all repairs are accomplished, refill the system with new, manufacturer approved brake fluid from a sealed container.

### **WARNING**

**MAXIMUM TEMPERATURE OF FLUIDS: 176° Fahrenheit, 80° Celsius**



## **Bleeding Brakes**

### **Instructions for Setup:**

1. Select the brake bleeding hose and connect one end to the in-line fluid shut off valve. Connect the main connector to the reservoir tank and the universal bleeding elbow to the bleeder screw.
2. Close the in-line fluid shut off valve (handle of valve will be turned 90 degrees from hose).
3. Connect air hose to the Venturi at the base of the PneumatiVac. This will require a male 3/4" NPT fitting that is used with your system (not included).
4. Open the air shut off valve thereby creating a vacuum inside the reservoir tank that will be used to bleed the brakes.

### **The following brake bleeding procedure is recommended:**

1. Ensure master cylinder reservoir is full of the specified fluid and new dean fluid is available to top off reservoir during bleeding procedure. Ensure all bleeder fittings are clean at the start of bleeding procedure.
2. Bleed system in the following order:
  - a. Master cylinder (if necessary). See the Bench Bleeding Procedure below if a new or rebuilt master cylinder is being installed.
  - b. ABS controller (if necessary).
  - c. Wheel cylinders and calipers in succession beginning with the wheel closest to the master cylinder and working to the *farthest* one.
3. Place wrench on the nut of the bleeder screw.
4. Connect brake bleeding adapter onto bleeder screw.
5. Open the air shut off valve by turning it to the "OPEN" position, thereby creating a vacuum required for bleeding.
6. Open the bleeder screw slightly, only enough to cause fluid to flow into the bleeder hose and continue into the PneumatiVac™ (usually 1/4 to 1/2 turn).
7. After evacuating, approximately 1/4 of the master cylinder reservoir capacity, tighten the bleeder screw. Add new brake fluid to the master cylinder so it remains full then proceed to the next wheel.

**NOTE:** A tiny stream of bubbles may be noted in the bleeder hose after the bleeding procedure. This is caused by air seeping around the threads of the loosened bleeder screw and is drawn through the fitting by the suction created by the Fluid Evacuator. Once the air has been removed from the system, these tine air bubbles **DO NOT** jeopardize the bleeding operation since they are only present at the external surface of the floeder fitting and not in the system. If desired, bleeder fitting threads may be sealed with Teflon® tape to help eliminate this condition.

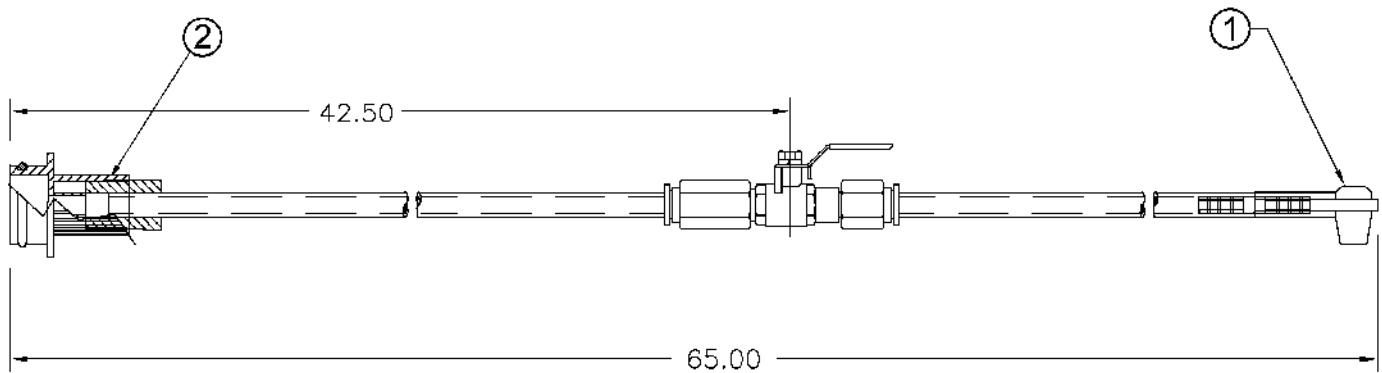
**NOTE:** When finished using the PneumatiVac, contents should be emptied into an approved waste container. Rinse reservoir with water, or solvent where applicable.

## **Bleeding Anti-Lock Brake Systems**

Always refer to the vehicle's owner manual or the appropriate service manual for manufacturer's brake bleeding procedure. The front brakes on most anti-lock brake systems may be bled in the conventional manner. Most hydraulic pump/pressure accumulator units are fitted with a bleeder valve, which must be bled when the system has lost fluid or is being replaced. Some vehicles require that the system be pressurized when the rear brakes are bled. Acura, Ford and General Motors require a bleeding procedure, which uses specialized equipment.

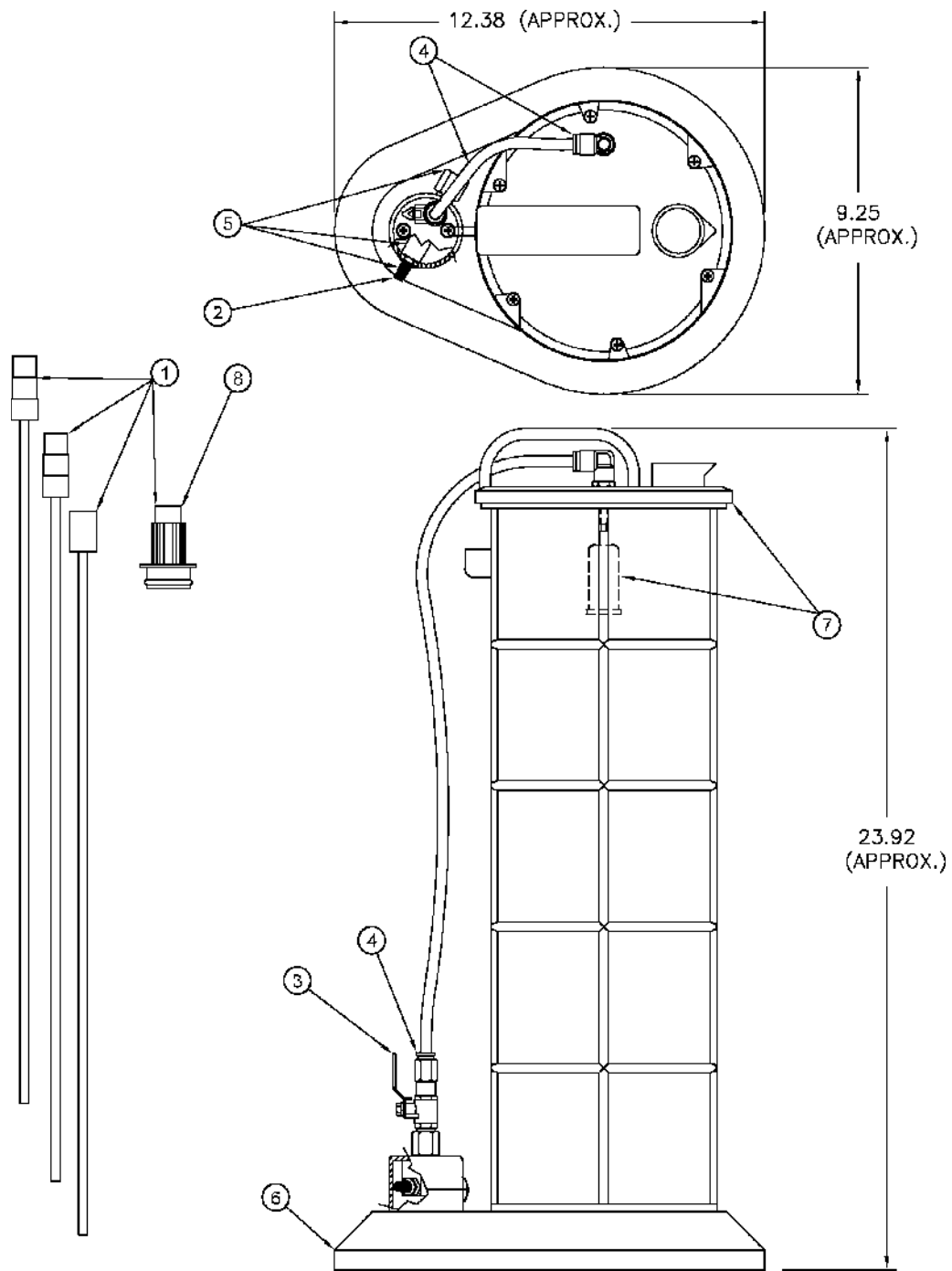
## **Bench Bleeding System**

Whenever a master cylinder has been removed from a vehicle or a new one is being installed, the master cylinder must be bench bled. Failure to bench bleed is the main reason for unsuccessful master cylinder replacement. Bench bleeding greatly decreases the chance that any air will be caught in the cylinder upon reinstallation. Most manufacturers include a bench bleeding kit with new or remanufactured master cylinders. If this kit was not included with the replacement part to be installed, consult with your retailer prior to installing the new or rebuilt master cylinder on the vehicle.



Item	Description	Part No.
1	Brake Bleeding Adapter *	822664

\* Consists of three adapters



### Model MV7300 Service Items

Item	Description	Part No.	Item	Description	Part No.
1	Vaccum Tube Kit	822599	5	Kit Venturi**	822647
2	Kit, Exhaust Muffler*	822644	6	Base Kit***	822574
3	Kit, Control Valve	822645	7	Kit, Lid and Float****	822648
4	Kit, Tube and Connectors	822646	8	Plastic Adapter	822597

\* Consists of three mufflers

\*\* Consists of venturi and connectors

\*\*\* Consists of base and foot bracket

\*\*\*\* Consists of top and overfill float

# Lincoln Industrial Standard Warranty

## LIMITED WARRANTY

Lincoln warrants the equipment manufactured and supplied by Lincoln to be free from defects in material and workmanship for a period of one (1) year following the date of purchase, excluding therefrom any special, extended, or limited warranty published by Lincoln. If equipment is determined to be defective during this warranty period, it will be repaired or replaced, within Lincoln's sole discretion, without charge.

This warranty is conditioned upon the determination of a Lincoln authorized representative that the equipment is defective. To obtain repair or replacement, you must ship the equipment, transportation charges prepaid, with proof of purchase to a Lincoln Authorized Warranty and Service Center within the warranty period.

This warranty is extended to the original retail purchaser only. This warranty does not apply to equipment damaged from accident, overload, abuse, misuse, negligence, faulty installation or abrasive or corrosive material, equipment that has been altered, or equipment repaired by anyone not authorized by Lincoln. This warranty applies only to equipment installed, operated and maintained in strict accordance with the written specifications and recommendations provided by Lincoln or its authorized field personnel.

**THIS WARRANTY IS EXCLUSIVE AND IS IN LIEU OF ANY OTHER WARRANTIES, EXPRESS OR IMPLIED, INCLUDING, BUT NOT LIMITED TO, THE WARRANTY OF MERCHANTABILITY OR WARRANTY OF FITNESS FOR A PARTICULAR PURPOSE.**

In no event shall Lincoln be liable for incidental or consequential damages. Lincoln's liability for any claim for loss or damages arising out of the sale, resale or use of any Lincoln equipment shall in no event exceed the purchase price. Some jurisdictions do not allow the exclusion or limitation of incidental or consequential damages, therefore the above limitation or exclusion may not apply to you.

This warranty gives you specific legal rights. You may also have other rights that vary by jurisdiction.

Customers not located in the Western Hemisphere or East Asia: Please contact Lincoln GmbH & Co. KG, Walldorf, Germany, for your warranty rights.

## Lincoln Industrial Special Limited Warranties

### SPECIAL LIMITED 2 YEAR WARRANTY-

#### **SL-V Series, Single Injectors-85772, 85782, and Replacement Injectors-85771, 85781**

Lincoln warrants the SL-V Injector series to be free from defects in material and workmanship for two (2) years following the date of purchase. If an injector model (single or replacement) is determined to be defective by Lincoln, in its sole discretion, during this warranty period, it will be repaired or replaced, at Lincoln's discretion, without charge.

### SPECIAL LIMITED 5 YEAR WARRANTY-

#### **Series 20, 25, 40 Bare Pumps, PMV Bare Pumps, Heavy Duty and 94000 Series Bare Reels**

Lincoln warrants series 20, 25, 40 bare pumps, PMV bare pumps, Heavy Duty (82206), Mini Bench (81133, 81323), and 94000 LFR series (94100, 94300, 94500) bare reels to be free from defects in material and workmanship for five (5) years following the date of purchase. If equipment is determined by Lincoln, in its sole discretion, to be defective during the first year of the warranty period, it will be repaired or replaced at Lincoln's discretion, without charge. In years two (2) and three (3), the warranty on this equipment is limited to repair with Lincoln paying parts and labor only. In years four (4) and five (5), the warranty on this equipment is limited to repair with Lincoln paying for parts only.

### SPECIAL LIMITED 5 YEAR WARRANTY-

#### **LFM Series Oil Meters (Lincoln Fluid Meter), LFV (Lincoln Fluid Valves), AOD (Air-Operated Diaphragm Pumps)-**

Lincoln warrants the LFM meter series (908/912 series), the Lincoln Fluid valve (708/712 series), and our AOD Pump offering to be free from defects in material and workmanship for five (5) years following the date of purchase. If either is determined to be defective by Lincoln, in its sole discretion, during the warranty period, they will be repaired or replaced, at Lincoln's discretion, without charge.

## Lincoln Industrial Contact Information

### To find Lincoln Industrial's Nearest Service Center

Call one of the following numbers, you may also use our Website

Customer Service	314-679-4200
Website	lincolnindustrial.com



## ©Précautions:

Ce matériel est conçu pour l'entretien commode en toute sécurité de véhicules très divers. Toutefois, des différences en termes de bloc-moteur et de configuration de jauge d'huile peuvent empêcher d'utiliser ce matériel sur tous les véhicules. Les marches à suivre décrites dans ce manuel sont destinées à servir de directives d'utilisation générale de ce matériel. En plus de ces directives, toujours suivre les recommandations du fabricant quand on veut utiliser ce matériel sur un véhicule particulier. Ne pas essayer de faire pénétrer les tubes qui accompagnent ce matériel de force dans un tube de jauge d'huile qui n'accepte pas facilement le plus petit des deux tubes. Les tubes sembleront alors trop gros et ne pas être conçus pour être utilisés avec le véhicule particulier.

La vidange d'huile au moyen de cet évacuateur par le tube de jauge d'huile doit être simple et directe. Les instructions n'ont été rédigées qu'à titre de directive générale.

**REMARQUE : NE PAS FAIRE PÉNÉTRER LE TUBE DE FORCE DANS UN CARTER-MOTEUR QUELCONQUE ET VEILLER À CESSER D'ENFONCER LE TUBE SI ON RENCONTRE UNE RÉSISTANCE. POUR PLUS DE DÉTAILS SUR L'UTILISATION DE CE MATÉRIEL EN CAS DE PROBLÈME D'ÉVACUATION DE L'HUILE DE LA VOITURE, S'ADRESSER AU CONCESSIONNAIRE COMPÉTENT.**

Toujours lire et veiller à bien comprendre les instructions avant de se servir de ce matériel.

**Serrer les vis fixant le couvercle au réservoir avant la première utilisation puis régulièrement par la suite pour garantir une bonne étanchéité**

## Fluides Recommandés :

Huile Moteur, Huiles pour Engrenages et Transmissions, Fluide de Servodirection, Liquides de Refroidissement, Liquide de Frein et Autres Liquides.



## Utiliser le PneumatiVac sans être connecté à une Source d'Air Comprimé

Le PneumatiVac est équipé d'une soupape de commande d'injection d'air sur le Venturi à la base de l'unité et d'un robinet de sectionnement sur le flexible de raccordement. Cela permet le fonctionnement de l'unité sans être connecté à une source d'air comprimé de la façon suivante :

- Lorsque la source d'air comprimé est connectée au Venturi, ouvrir la soupape de commande d'injection d'air et fermer le robinet de sectionnement.
- Créer un vide dans le réservoir et fermer la soupape de commande d'injection d'air.
- Débranchez le PneumatiVac de la source d'air comprimé et transportez-le sur votre chantier.
- Ouvrir le robinet de sectionnement et le vide accumulé dans le réservoir va aspirer les fluides.

Lorsqu'il est utilisé en conjonction avec l'Évacuateur de Fluide/Kit de Purge de Frein Mityvac®, modèle 07205, cet outil peut être utilisé pour purger les systèmes de frein hydraulique.

Le réservoir du PneumatiVac est équipé d'un robinet de sectionnement afin d'éviter de trop remplir le réservoir. Lorsque le fluide est aspiré dans le réservoir, le fluide va faire monter le flotteur. Lorsque le flotteur arrive au niveau du robinet de sectionnement, l'aspiration du fluide va s'arrêter de façon automatique.

## Extraire et Dispenser des Lubrifiants (Général)

(Huile Moteur, Huile pour Engrenages, Liquide de Transmission Hydraulique, etc.)

### Extraire et Dispenser de l'Huile Moteur dans un Carter de Moteur

1. Garer le véhicule sur une aire plane, s'assurer que la boîte de vitesses est en position 'Neutre' ou 'Garer' et serrer le frein à main.
2. Démarrer le moteur. Faites fonctionner le moteur jusqu'à ce qu'il atteigne sa température normale de fonctionnement. Une fois que le moteur est chaud, arrêter le moteur.
3. Enlever la jauge d'huile du moteur.

© Indique le changement

4. Sélectionner et insérer le tube de jauge de plus petit diamètre dans l'ouverture de la jauge jusqu'à ce qu'il atteigne le fond du carter d'huile. Connecter le tube principal de succion au tube de jauge.
5. Insérer l'autre bout du tube principal de succion dans le haut du réservoir.
6. Connecter le tuyau d'air au Venturi à la base du PneumatiVac. Il faudra utiliser un raccord mâle de ¼ NPT (celui-ci n'est pas joint)
7. Ouvrir la valve d'arrivée d'air. Cela crée un vide dans le réservoir qui va être utilisé pour extraire les fluides.

**NOTE :** Au cas où la capacité du carter de moteur dépasserait 8 litres, il sera nécessaire de vider le réservoir de fluide plusieurs fois.

8. Une fois que l'huile a été enlevée du carter de moteur, retirez le tube principal de succion du réservoir ; versez l'huile du réservoir dans un container approprié, et débarrassez-vous de l'huile de manière appropriée. Rincer le réservoir avec un solvant ou un déshuileur de moteur. Laisser le sécher complètement.
9. Remplir le carter de moteur au niveau désiré.
10. Faire fonctionner le moteur pendant un court moment pour faire circuler l'huile neuve. Après avoir arrêté le moteur, vérifier le niveau d'huile pour s'assurer qu'il est plein.

### **Extraire et Dispenser des Liquides dans le Carter de Boîte de Vitesses et le Carter de Différentiel**

1. **Suivre les instructions 1 et 2.** (Voir Extraire et Dispenser de l'Huile Moteur dans un Carter de Moteur)
2. Retirer la jauge d'huile de transmission hydraulique



#### **AVERTISSEMENT**

**Dans certains cas, il peut être nécessaire d'avoir à soulever le véhicule. Utiliser les mesures de sécurité appropriées afin d'éviter des blessures sérieuses ou mortelles.**

1. Sélectionner et insérer le tube de jauge de diamètre approprié dans l'ouverture de la jauge jusqu'à ce qu'il atteigne le fond du boîtier de transmission ou de la boîte d'engrenages. Connecter le tube principal de succion au tube de jauge.
2. Insérer l'autre bout du tube principal de succion dans le haut du réservoir.
3. Connecter le tuyau d'air au Venturi à la base du PneumatiVac. Il faudra utiliser un raccord mâle de ¼ NPT (celui-ci n'est pas joint)
4. Ouvrir la valve d'arrivée d'air. Cela crée un vide dans le réservoir qui va être utilisé pour extraire les fluides.
5. Fermer la soupape de commande d'injection d'air pour arrêter la procédure d'extraction lorsque la quantité de fluide désirée a été extraite.
6. Retirez le tube principal de succion du réservoir ; versez le liquide hydraulique du réservoir dans un container approprié, et débarrassez-vous du liquide hydraulique de manière appropriée. Rincer le réservoir avec un solvant ou un déshuileur de moteur. Laisser le sécher complètement.
7. Remplir la transmission au niveau désiré.
8. Faire fonctionner le moteur jusqu'à ce qu'il atteigne sa température normale de fonctionnement afin de faire circuler le fluide neuf. Re-vérifier le niveau de fluide pour s'assurer qu'il est plein.

### **Extraire et Dispenser du Liquide de Refroidissement dans le Système de Refroidissement**

1. Laisser le moteur refroidir.
2. Enlever le bouchon de radiateur/bouchon de réservoir d'expansion.

3. Sélectionnez le tube de jauge le plus large et insérez-le dans le cou du radiateur ou dans le réservoir d'expansion.
4. Insérer l'autre bout du tube principal de succion dans le haut du réservoir.
5. Connecter le tuyau d'air au Venturi à la base du PneumatiVac. Il faudra utiliser un raccord mâle de ¼ NPT (celui-ci n'est pas joint).
6. Ouvrir la valve d'arrivée d'air. Cela crée un vide dans le réservoir qui va être utilisé pour extraire les fluides.
7. Fermer la soupape de commande d'injection d'air pour arrêter la procédure d'extraction lorsque la quantité de fluide désirée a été extraite.
8. Retirez le tube principal de succion du réservoir ; versez le liquide du réservoir dans un container approprié, et débarrassez-vous du liquide de manière appropriée. Rincer le réservoir avec un solvant ou un déshuileur de moteur. Laisser le sécher complètement.
9. Remplir le système au niveau désiré.
10. Faire fonctionner le moteur jusqu'à ce qu'il atteigne sa température normale de fonctionnement afin de faire circuler le fluide neuf. Re-vérifier le niveau de fluide pour s'assurer qu'il est plein.

### **Extraire du Liquide de Frein du Maître-Cylindre**

1. Nettoyer l'extérieur du maître-cylindre et le bouchon du maître-cylindre. (Cela évitera que de la crasse entre dans le réservoir du maître-cylindre lorsque vous enlèverez le bouchon)
2. Enlever le couvercle du réservoir du maître-cylindre.



#### **AVERTISSEMENT**

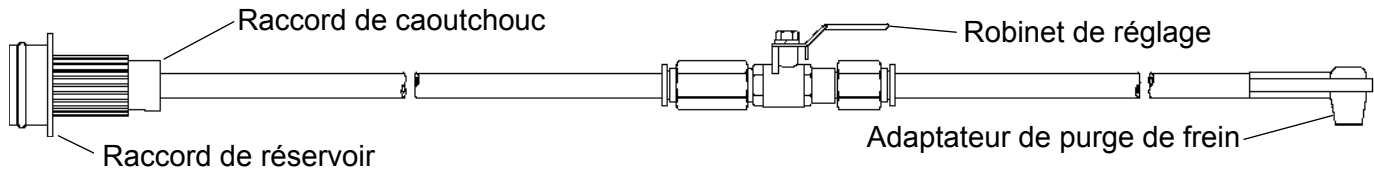
**Avant d'insérer le tube d'extraction dans le réservoir du maître-cylindre, assurez-vous que le tube d'extraction est propre et ne contient pas de fluide. Ne pas faire cela peut entraîner la contamination du liquide de frein dans le système hydraulique et peut causer le non-fonctionnement des freins.**

3. Sélectionner le tube de jauge approprié et le connecter au tube principal de succion.
4. Insérer l'autre bout du tube principal de succion dans le haut du réservoir.
5. Insérer le bout du tube d'extraction dans le réservoir du maître-cylindre.
6. Connecter le tuyau d'air au Venturi à la base du PneumatiVac. Il faudra utiliser un raccord mâle de ¼ NPT (celui-ci n'est pas joint)
7. Ouvrir la valve d'arrivée d'air. Cela crée un vide dans le réservoir qui va être utilisé pour extraire les fluides.
8. Lorsque la quantité de liquide de frein désirée a été extraite, retirez le tube principal de succion du réservoir ; versez le liquide de frein du réservoir dans un container approprié, et débarrassez-vous du liquide de manière appropriée. Rincer le réservoir avec un solvant ou un déshuileur de moteur. Laisser le sécher complètement.
9. Une fois que toutes les réparations sont exécutées, remplir le système avec du liquide de frein neuf, approuvé par le fabricant, et provenant d'un container étanche.



## AVERTISSEMENT

**TEMPÉRATURE MAXIMALE DES FLUIDES : 176° Fahrenheit, 80° Celsius**



### Purger les Freins

#### Instructions d'assemblage:

1. Connecter le tuyau de purge de frein au robinet de sectionnement. Connecter le connecteur principal au réservoir et le coude universel de purge au vis de purge.
2. Fermer le robinet de sectionnement (La poignée de la valve formera un angle de 90 degrés avec le tuyau)
3. Connecter le tuyau d'air au Venturi à la base du PneumatiVac. Il faudra utiliser un raccord mâle de 3/4 NPT (celui-ci n'est pas joint)
4. Ouvrir la valve d'arrivée d'air. Cela crée un vide dans le réservoir qui va être utilisé pour purger les freins.

#### La procédure de purge de frein suivante est recommandée:

1. S'assurer que le réservoir maître-cylindre de frein est plein de liquide et que du liquide neuf et propre est disponible pour remplir le réservoir durant la procédure de purge. S'assurer que tous les raccords de purge sont propres avant de commencer la procédure de purge.
2. Purger le système dans l'ordre suivant :
  - a. Le maître-cylindre de frein (si nécessaire). Voir la Procédure de Purge sur Etabli si dessous au cas ou un maître-cylindre de frein neuf ou un maître-cylindre de frein rénové est en train d'être installé.
  - b. Contrôleur ABS (si nécessaire).
  - c. Cylindres de roue et étriers de frein en succession en commençant par la roue la plus proche du maître-cylindre de frein et en finissant par la plus éloignée.
3. Placer la clé sur l'écrou de la vis de purge.
4. Connecter l'adaptateur de purge de frein à la vis de purge.
5. Ouvrir le robinet de sectionnement d'air en le tournant sur la position 'OPEN' Cela crée un vide permettant la purge.
6. Ouvrir la vis de purge légèrement, pour permettre au liquide de s'écouler dans le tuyau de purge et dans le PneumatiVac™ (environ 1/4 à 1/2 tour).
7. Après avoir drainé à peu près 1/4 du réservoir maître-cylindre de frein, resserrer la vis de purge. Remplir le maître-cylindre de liquide de frein neuf, et aller à la roue suivante.

**NOTE :** Un petit filet de bulles peut être aperçu dans le tuyau de purge après la procédure de purge. Cela est causé par l'air qui suinte autour des filetages du vis de purge, celui-ci étant partiellement ouvert. Cet air est aspiré au travers du raccord par l'effet de succion créé par l'Évacuateur de Fluide. Une fois que l'air a été enlevé du système, ces petites bulles d'air **NE POSENT PAS** de danger car elles ne sont présentes qu'à l'extérieur du raccord de purge et pas dans le système. Si vous le désirez, vous pouvez calfeutrer les filetages du raccord de purge avec de la bande adhésive Téflon® afin d'éliminer ces petites bulles.

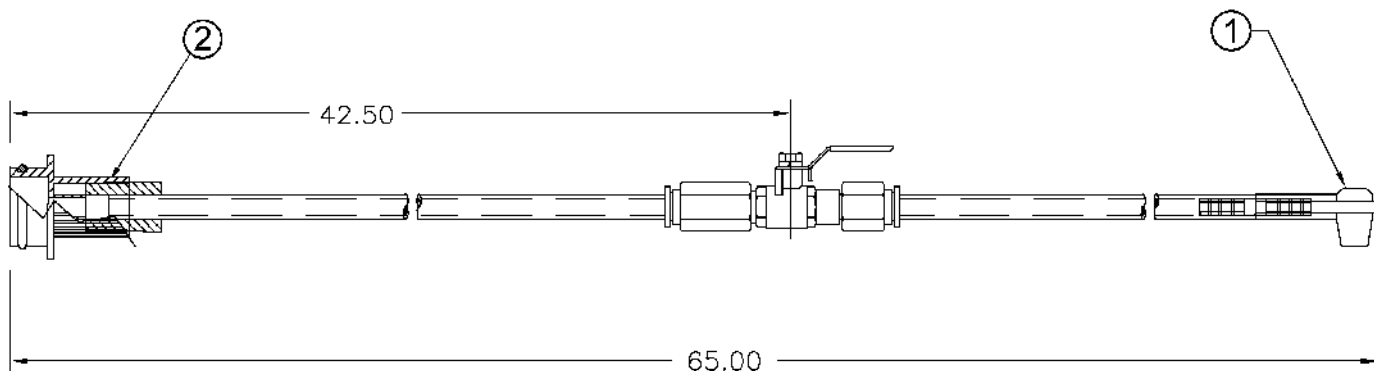
**NOTE :** Lorsque vous avez fini d'utiliser le PneumatiVac, son contenu doit être vidé dans un bac à ordures approprié. Rincer le réservoir à l'eau ou avec du solvant.

### **Purger le Système de Freinage Antiblocage**

Toujours se référer au manuel d'utilisation du véhicule ou au manuel d'entretien pour la procédure de purge de frein. Les freins de devant, pour la majorité des systèmes de freinage antiblocage, se purgent de façon conventionnelle. La plupart des pompes hydrauliques/accumulateurs hydrauliques sont équipés de valve de purge qui doivent être purgées lorsque le système a perdu du liquide ou le liquide a été remplacé. Certains véhicules doivent avoir leur système pressurisé lorsque les freins de derrière sont purgés. Les véhicules Acura, Ford et Général Motors nécessitent un équipement spécialisé lorsqu'ils sont purgés.

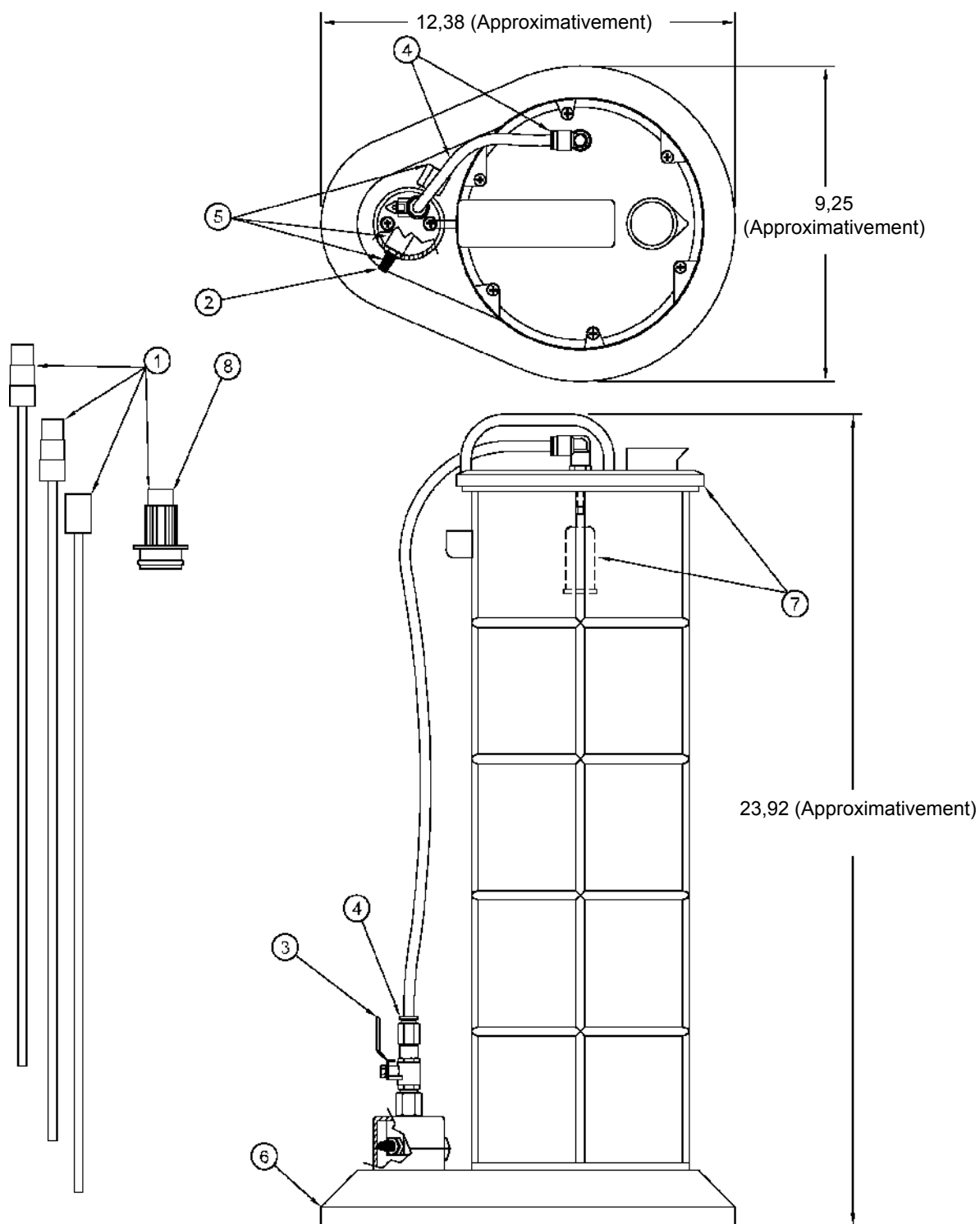
### **Purger le système sur Etabli**

Chaque fois que le maître-cylindre de frein est enlevé du véhicule ou qu'un nouveau est installé, le maître-cylindre de frein doit être purgé sur établi. Ne pas purger sur établi est la raison principale d'échec de remplacement du maître-cylindre de frein. La purge sur établi diminue les chances que de l'air soit emprisonné dans le cylindre lors de la ré-installation. La plupart des fabricants offrent un kit de purge de frein avec chaque maître-cylindre de frein neuf ou rénové. Si le kit n'est pas joint avec la pièce détachée à être installée, consulter votre détaillant **avant d'installer le maître-cylindre de frein neuf ou rénové sur le véhicule.**



Pièce	Description	Code article
1	Raccord de purge de frein*	822664

\* Est composé de trois raccords



### Pièces de Rechange pour le Modèle MV7300

Pièce	Description	Code article	Pièce	Description	Code article
1	Kit Tuyau d'Aspiration	822599	5	Kit Venturi**	822647
2	Kit, Silencieux d'échappement*	822644	6	Kit de Support de la Base***	822574
3	Kit, Robinet de Réglage	822645	7	Kit, Couvercle et Flotteur	822648
4	Kit, Tuyau et Raccords	822646			

\* Est composé de trois silencieux

\*\* Est composé du Venturi et des raccords

\*\*\* Est composé du support de la base et du pied

\*\*\*\* Est composé du dessus et du flotteur de trop plein

## La Garantie Standard de Lincoln Industrial

### GARANTIE LIMITEE

Lincoln garantit que l'équipement qu'il fabrique et fournit est sans vice de matériau ou de fabrication durant une période d'un (1) an après la date d'achat, sauf si cet équipement est sous garantie spéciale, prolongée ou limitée publiée par Lincoln. Si l'équipement s'avère défectueux durant la période de garantie, celui-ci sera réparé ou remplacé, à la discrétion de Lincoln, sans frais.

Cette garantie ne s'applique que si un représentant autorisé de Lincoln juge que l'équipement est défectueux. Pour faire réparer ou remplacer votre équipement, vous devez l'expédier tous frais de port payés, avec preuve de date d'achat, au centre de service après-vente autorisé Lincoln durant la période de garantie.

Cette garantie ne couvre que l'acheteur originel. Elle ne couvre pas tout équipement endommagé durant un accident, surcharge, abus, négligence, installation défectueuse ou matériaux abrasifs ou corrosifs. Cette garantie ne couvre pas tout équipement qui a été altéré ou réparé par toute personne qui ne soit pas autorisée par Lincoln. Cette garantie ne s'applique qu'à l'équipement installé et utilisé suivant les recommandations écrites de Lincoln ou de son personnel autorisé itinérant.

CETTE GARANTIE EST EXCLUSIVE ET TENANT POUR TOUTES AUTRES GARANTIES EXPRESSES OU TACITES, Y COMPRIS, MAIS NON LIMITE A, LA garantie de qualité marchande OU LA garantie d'aptitude POUR UNE RAISON PARTICULIERE.

Lincoln n'est en aucun cas responsable pour les dommages accessoires ou indirects. La responsabilité de Lincoln ne peut excéder le prix d'achat en cas de perte ou de dommages du à la vente, revente ou utilisation de l'équipement. Certaines juridictions n'acceptent pas d'exclusion ou de limitation sur les dommages accessoires ou indirects, aussi les limitations ci-dessus ne vous concernent pas forcément.

Cette garantie vous donne des droits précis reconnus par la loi. Certaines juridictions peuvent vous donner d'autres droits.

Pour les clients qui ne se trouvent pas dans l'Hémisphère de l'Ouest ou l'Est de l'Asie : Merci de bien vouloir contacter Lincoln GmbH & Co. KG, Walldorf, Allemagne pour faire valoir votre garantie.

Les Garanties Limitées Spéciales de Lincoln Industrial

#### GARANTIE LIMITEE SPECIALE DE 2 ANS

Séries SL-V, Injecteurs Simples 85772, 85782, et les Injecteurs de Remplacement 85771, 85781

Lincoln garantit que les injecteurs de la série SL-V sont sans vice de matériau ou de fabrication durant une période de deux (2) ans après la date d'achat. Si un injecteur (simple ou de remplacement) s'avère défectueux par Lincoln durant la période de garantie, celui-ci sera réparé ou remplacé, à la discrétion de Lincoln, sans frais.

#### GARANTIE LIMITEE SPECIALE DE 5 ANS

Séries 20, 25, 40 Pompes, Enrouleurs Automatiques Renforcés et de la Série 87000.

Lincoln garantit que les séries 20, 25, 40 pompes, et les enrouleurs automatiques renforcés et de la série 87000 (87300, 87500, 87770) sont est sans vice de matériau ou de fabrication durant une période de cinq (5) ans après la date d'achat. Si l'équipement s'avère défectueux par Lincoln durant la première année de la période de garantie, celui-ci sera réparé ou remplacé, à la discrétion de Lincoln, sans frais pour l'utilisateur. Durant la deuxième et la troisième année de garantie, Lincoln ne couvre que les pièces détachées et la main d'œuvre. Durant la quatrième et la cinquième année de garantie, Lincoln ne couvre que les pièces détachées.

Contactez Lincoln Industrial

Pour trouver votre centre de service après-vente Lincoln Industrial le plus proche, appeler un des numéros suivants, vous pouvez aussi aller sur notre site Internet

Service Après-Vente      314-679-4200  
Site Internet                lincolnindustrial.com

## ©Precaución

Este equipo está diseñado para efectuar el servicio de una variedad de vehículos de manera segura y conveniente. No obstante, las diferencias de configuraciones de bloques de motor y varillas de medición de nivel pueden hacer que sea imposible usar este equipo en todos los vehículos. Los procedimientos documentados en este manual deben servir como guías para el uso general de este equipo. Además de estas guías, siga siempre los procedimientos recomendados del fabricante al tratar de usar este equipo en cada uno de los vehículos. No trate de forzar los tubos incluidos con este equipo dentro de un tubo de varilla de medición de nivel que no permita la introducción del más pequeño de los dos tubos. Los tubos parecerían ser demasiado grandes y no estar diseñados para ser utilizados con el vehículo en particular.

Se espera que el drenaje de aceite con esta unidad de evacuación por el tubo de la varilla de medición de nivel sea sencillo y directo. Las instrucciones se escribieron como guía general solamente.

**NOTA: NO FUERCE EL TUBO EN NINGÚN CÁRTER Y ASEGÚRESE DE DEJAR DE EMPUJAR EL TUBO HACIA ADENTRO SI SE SIENTE CUALQUIER FUERZA. DEBE PONERSE EN CONTACTO CON SU DISTRIBUIDOR PARTICULAR PARA OBTENER DETALLES SOBRE EL USO DE ESTE EQUIPO A FIN DE EVACUAR EL ACEITE DE SU AUTOMÓVIL EN CASO DE QUE SURJAN DIFICULTADES.**

Lea siempre detenidamente las instrucciones y entiéndalas antes de usar este equipo.

**Apriete los tornillos que sujetan la tapa al depósito antes de usar por primera vez y periódicamente para asegurar un sellado apropiado.**

### Fluidos recomendados:

Aceite de motor, aceites de engranajes y transmisión, fluido de servodirección, refrigerantes, fluido de nos y otros fluidos.



### Empleo del PneumatiVac lejos de una fuente de aire comprimido

El PneumatiVac está equipado con una válvula de control de aire en el venturi de la base de la unidad y una válvula de corte de fluido en línea en el conjunto de manguera. Esto permite a la unidad funcionar lejos de la fuente de aire de la forma siguiente:

- Una vez que se haya conectado la fuente de aire comprimido al venturi, abra la válvula de control de aire y cierre la válvula de corte de fluido en línea.
- Mantenga un vacío en el depósito y después cierre la válvula de control de aire.
- Desconecte el PneumatiVac de la fuente de aire comprimido y transpórtelo a la obra.
- Abra la válvula de corte de fluido en línea y el vacío formado en el depósito aspirará automáticamente el fluido.

Cuando se usa junto con el juego de accesorios de purga de frenos del evacuador de fluido Mityvac®, N/P 07205, esta herramienta puede usarse para purgar con vacío los sistemas de frenado hidráulicos.

El depósito del Pneumativac está equipado con una válvula de corte automático para impedir el llenado excesivo del depósito. A medida que el fluido evacuado pasa al depósito hará subir el flotador. Cuando el flotador alcance la válvula de corte, se detendrá automáticamente el flujo de fluido que se está extrayendo.

### **Extracción y distribución de lubricantes (generalidades)**

(aceite de motor, aceite de engranajes, fluido de transmisión, etc.)

#### **Extracción y distribución de aceite de motor en un cárter**

1. Estacione el vehículo sobre un terrero horizontal, asegúrese de que la transmisión del vehículo esté en la posición "neutral" o de "estacionamiento" y conecte el freno de estacionamiento.
2. Arranque el motor. Deje que el motor funcione al ralentí hasta que alcance la temperatura de operación normal. Una vez que se logre esto, apague el motor.

© Indica el cambio



3. Saque la varilla indicadora de aceite del motor.
4. Seleccione e introduzca el tubo de varilla indicadora de diámetro más pequeño en el agujero de la varilla indicadora hasta que llegue al fondo del colector de aceite. Conecte el tubo de succión principal al tubo de la varilla indicadora de nivel.
5. Introduzca el extremo opuesto del tubo de succión principal en la parte de arriba del depósito.
6. Conecte la manguera de aire al venturi de la base del PneumatiVac. Esto requiere una conexión macho NPT de 1/4" (no se incluye).
7. Abra la válvula de aire para crear un vacío dentro del depósito que se usará para extraer fluidos.

**NOTA:** Debido a las diversas capacidades de fluido de los motores, tal vez sea necesario vaciar el depósito y volver a empezar el proceso si la capacidad del cárter excede de 8 litros.

8. Una vez que se haya extraído el aceite del cárter, quite el tubo de succión principal del depósito; eche el aceite del tanque en un recipiente adecuado, y distribuya el aceite de manera apropiada. Enjuague el depósito con disolvente limpio o desengrasador de motor. Deje que se seque completamente.
9. Rellene el cárter al nivel deseado.
10. Haga funcionar el motor momentáneamente para hacer circular el aceite nuevo y después vuelva a comprobar el nivel para asegurarse de que esté en la marca de "lleno".

## **Extracción y distribución de fluido en las cajas y diferenciales de la transmisión**

**1. Siga los Pasos 1 y 2.** (Vea Extracción y distribución del aceite de motor en un cárter)

2. Saque la varilla indicadora de nivel de fluido de la transmisión o el tapón de llenado.

### **ADVERTENCIA**

En algunas aplicaciones, tal vez sea necesario levantar el vehículo con un gato o una plataforma elevadora. Use soportes de seguridad apropiados para evitar lesiones graves o mortales.

3. Seleccione e introduzca el tubo de la varilla indicadora de nivel del diámetro apropiado en el agujero de la varilla indicadora hasta que llegue al fondo del colector de la transmisión o caja de engranajes. Conecte el tubo de succión principal al tubo de la varilla indicadora.
4. Introduzca el extremo opuesto del tubo de succión principal en la parte de arriba del depósito.
5. Conecte la manguera de aire al venturi de la base del PneumatiVac. Esto requiere una conexión macho NPT de 1/4" (no se incluye).
6. Abra la válvula de aire para crear un vacío dentro del depósito que se usará para extraer los fluidos.
7. Una vez que se haya extraído la cantidad deseada de fluido, cierre la válvula de control de aire para detener el proceso de extracción.
8. Quite el tubo de succión principal del depósito; eche el fluido de la transmisión del tanque en un recipiente adecuado, y deseche el fluido de la transmisión de manera apropiada. Enjuague el depósito con disolvente limpio o desengrasador de motor. Deje que se seque completamente.
9. Rellene la transmisión al nivel deseado.
10. Haga funcionar el motor hasta que alcance la temperatura de operación para hacer circular el nuevo fluido y después vuelva a comprobar el nivel para asegurarse de que esté lleno.

## **Extracción y distribución de refrigerante en un sistema de enfriamiento**

1. Deje enfriar el motor.
2. Quite la tapa del radiador I tanque de expansión.
3. Seleccione el tubo de varilla indicadora de nivel de diámetro más grande e introdúzcalo en el cuello del radiador o tanque de expansión.
4. Introduzca el extremo opuesto del tubo de succión principal en la parte de arriba del depósito.
5. Conecte la manguera de aire al venturi de la base del PneumatiVac. Esto requiere una conexión macho NPT de 1/4" (no se incluye).
6. Abra la válvula de aire para crear un vacío dentro del depósito que se usará para extraer los fluidos.
7. Una vez que se haya extraído la cantidad deseada de fluido, cierre la válvula de control de aire para detener el proceso de extracción.
8. Quite el tubo de succión principal del depósito; eche el fluido del tanque a un recipiente adecuado, y deseche el fluido de manera apropiada. Enjuague el depósito con disolvente limpio o desengrasador de motor. Deje que se seque completamente.
9. Rellene el sistema hasta el nivel deseado.
10. Haga funcionar el motor hasta que alcance la temperatura de operación para hacer circular el nuevo fluido y después vuelva a comprobar el nivel para asegurarse de que esté lleno.

## **Extracción del fluido de frenos del cilindro principal**

1. Limpie el exterior y la tapa del cilindro principal. (Esto impedirá que entre suciedad en el depósito del cilindro principal cuando se quite la tapa).
2. Quite la tapa del depósito del cilindro principal.

### **ADVERTENCIA**

**Antes de introducir el tubo de extracción en el depósito del cilindro principal, asegúrese de que el tubo de extracción esté limpio y libre de cualquier otro tipo de fluido. De no hacer esto se contaminaría el fluido de frenos en el sistema hidráulico y causar una posible falla de los frenos.**

3. Seleccione el tubo de la "varilla indicadora de nivel" apropiado y conéctelo al tubo de succión principal.
4. Introduzca el extremo opuesto del tubo de succión principal en la parte de arriba del depósito.
5. Introduzca el extremo del tubo de extracción en el depósito del cilindro principal.
6. Conecte la manguera de aire al venturi de la base del PneumatiVac. Esto requiere una conexión macho NPT de 1/4" (no se incluye).
7. Abra la válvula de aire para crear un vacío dentro del depósito que se usará para extraer los fluidos.
8. Una vez que se haya extraído el fluido de frenos, quite el tubo de succión principal del depósito; eche el fluido de frenos del tanque a un recipiente adecuado, y deséchelo de una manera apropiada. Enjuague el depósito con disolvente limpio o desengrasador de motor. Deje que se seque completamente.
9. Después de haber efectuado todas las reparaciones, rellene el sistema con fluido de frenos nuevo aprobado por el fabricante de un recipiente sellado.



**ADVERTENCIA**

**TEMPERATURA MÁXIMA DE LOS FLUIDOS: 176° F, 80° C**

## **Purga De Los Frenos**

### **Instrucciones de configuración:**

1. Seleccione la manguera de purga de frenos y conecte un extremo de la válvula de corte de fluido en línea. Conecte el conector principal al depósito y el codo de purga universal al tornillo del purgador.
2. Cierre la válvula de corte de fluido en línea (la palanca de la válvula estará girada 90° con respecto a la manguera).
3. Conecte la manguera de aire al Venturi de la base del PneumatiVac. Esto requiere una conexión macho NPT de 3/4" que se use con su sistema (no se incluye).
4. Abra la válvula corte de aire para crear un vacío dentro del depósito que se vaya a usar para purgar los frenos.

### **Se recomienda el siguiente procedimiento de purga de los frenos:**

1. Asegúrese de que el depósito del cilindro esté lleno del fluido especificado y de que se disponga de nuevo fluido limpio para rellenar el depósito durante el procedimiento de purga. Asegúrese de que todas las conexiones del purgador estén limpias al comienzo del procedimiento de purga.
2. Purgue el sistema en el orden siguiente:
  - a. Cilindro principal (si es necesario). Vea el Procedimiento de purga de banco de abajo si se va a instalar un cilindro principal nuevo o reconstruido.
  - b. Controlador del sistema de freno antibloqueo (si es necesario).
  - c. Cilindros y horquillas de las ruedas en orden empezando por la rueda más próxima al cilindro principal y yendo hasta la más alejada.
3. Ponga la llave en la tuerca del tornillo del purgador.
4. Conecte el adaptador de purga del freno al tornillo del purgador.
5. Abra la válvula de corte de aire girándola a la posición "ABIERTA" para crear un vacío necesario para la purga.
6. Abra ligeramente el tornillo del purgador, sólo lo suficiente para hacer que el fluido fluya a la manguera del purgador y siga hasta el PneumatiVac™ (normalmente 1/4 a 1/2 vuelta).
7. Después de la evacuación, aproximadamente 1/4 de la capacidad del depósito del cilindro principal, apriete el tornillo del purgador. Añada nuevo fluido de frenos al cilindro principal para que permanezca lleno y después pase a la rueda siguiente.

**NOTA:** Se puede observar un rosario de burbujas diminutas en la manguera del purgador después del procedimiento de purga. Esto se debe a la infiltración de aire alrededor de las tuercas del tornillo del purgador aflojado y es aspirado por la conexión por la succión creada por el evacuador de fluido. Una vez que se haya eliminado el aire del sistema, estas diminutas burbujas de aire **NO** ponen en peligro la operación de purga ya que solamente están presentes en la superficie externa de la conexión del purgador y no en el sistema. Si se desea, las roscas de la conexión del purgador pueden sellarse con cinta de Teflon® para eliminar esta condición.

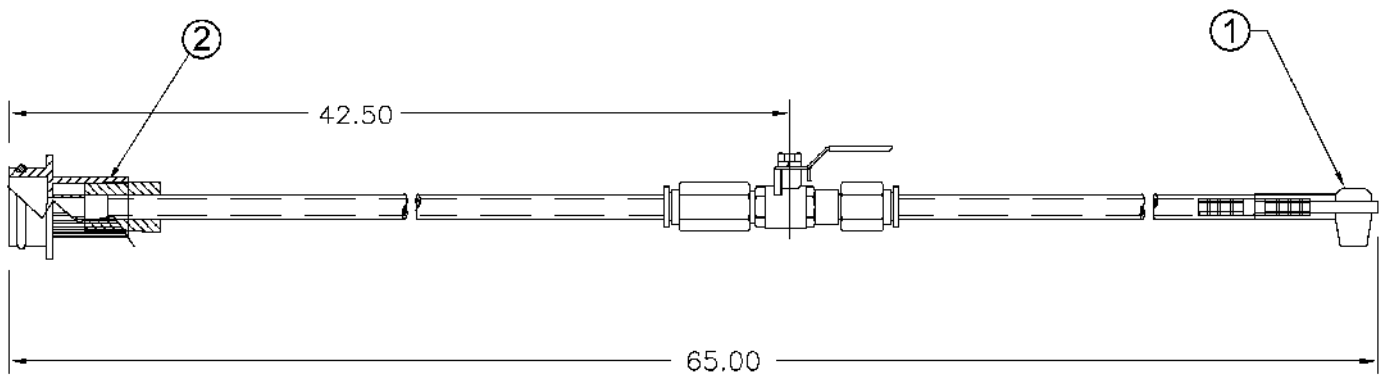
**NOTA:** Cuando termine de usar el PneumatiVac, se debe vaciar el contenido en un recipiente de desechos aprobado. Enjuague el depósito con agua, o disolvente donde corresponda.

## Purga De Sistemas De Freno Antibloqueo

Consulte siempre el procedimiento de purga del freno en el manual del propietario del vehículo o manual de servicio correspondiente. Los frenos delanteros en la mayoría de los sistemas de freno antibloqueo pueden purgarse de manera convencional. La mayoría de las unidades de acumulador de bomba/presión hidráulica disponen de una válvula de purgador, que debe purgarse cuando el sistema haya perdido fluido o se esté reemplazando. Algunos vehículos requieren que el sistema esté sometido a presión cuando se purguen los frenos traseros. Acura, Ford y General Motors requieren un procedimiento de purga con equipos especializados.

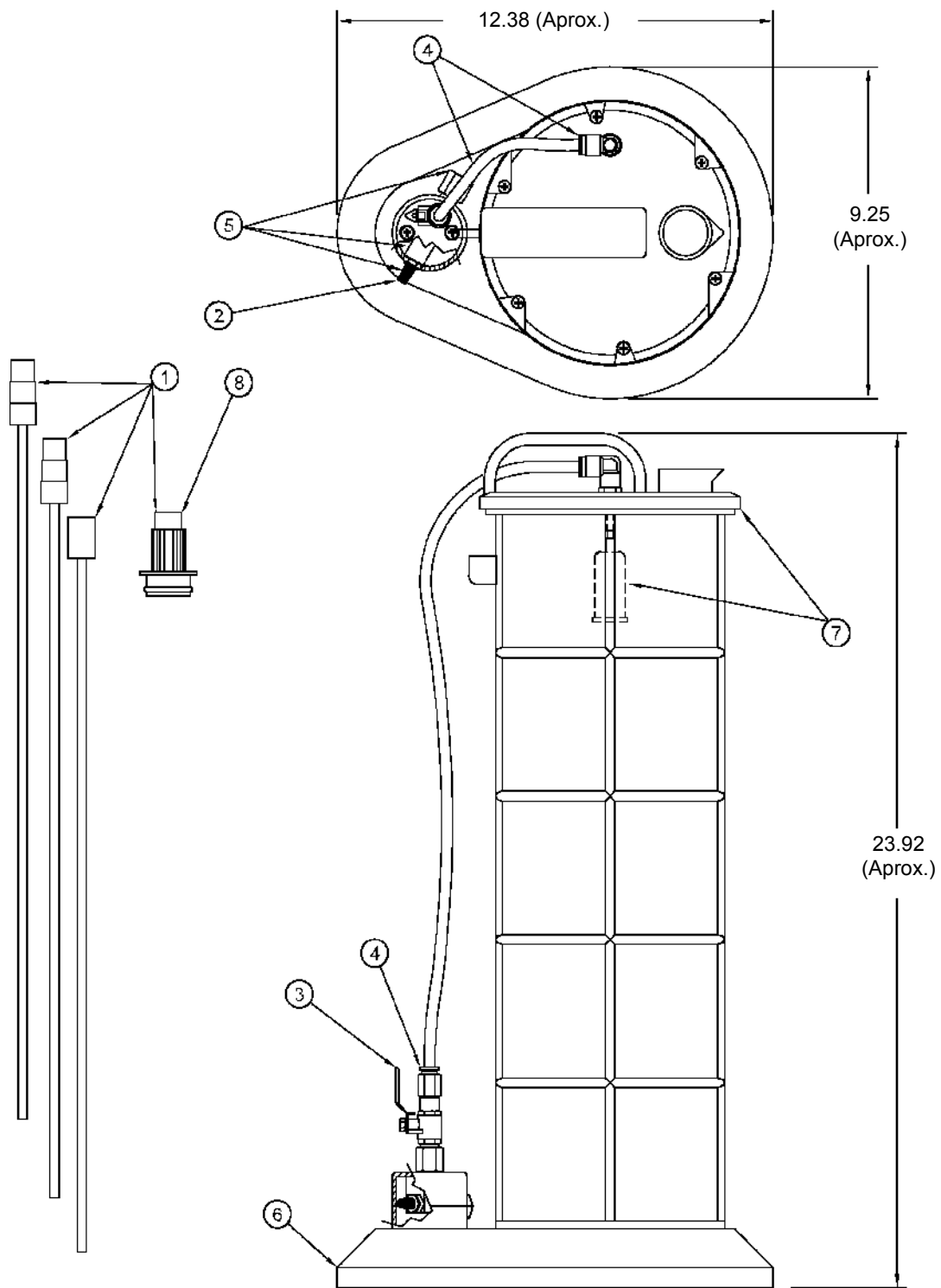
## Sistema De Purga Del Banco

Siempre que se haya quitado un cilindro principal de un vehículo o se vaya a instalar uno nuevo, se debe purgar el cilindro principal en un banco. El hecho de no purgarlo en un banco es el motivo principal de que los cilindros principales no se reemplacen con éxito. La purga en un banco disminuye considerablemente la probabilidad de que quede aire atrapado en el cilindro después de la reinstalación. La mayoría de los fabricantes incluyen un juego de purga de banco con cilindros principales nuevos o remanufacturados. Si no se incluyó este juego con la pieza de repuesto que se vaya a instalar, consulte con su minorista antes de instalar el cilindro principal nuevo o reconstruido en el vehículo.



Artículo	Descripción	No. de pieza
1	Adaptador de purga de frenos *	822664

\* Consta de tres adaptadores



**Artículos de repuesto del Modelo MV7300**

Artículo	Descripción	No. de pieza	Artículo	Descripción	No. de pieza
1	Juego de tubo de vacío	822599	5	Juego de venturi**	822647
2	Juego de silenciadores de escape*	822644	6	Juego de base***	822574
3	Juego de válvula de control	822645	7	Juego de tapa y flotador****	822648
4	Juego de tubo y conectores	822646	8	Adaptador Plástico	822597

\* Consta de tres silenciadores

\*\* Consta de venturi y conectores

\*\*\* Consta de base y soporte de patas

\*\*\*\* Consta de parte superior y flotador de reboso

## Garantía limitada de Lincoln Industrial

### GARANTÍA LIMITADA

Lincoln garantiza que los equipos fabricados y suministrados no tienen defectos de materiales y fabricación durante un período de un (1) año después de la fecha de compra, excluyéndoles de cualquier garantía especial, ampliada o limitada publicada por Lincoln. Si se determina que el equipo es defectuoso durante este período de garantía, será reparado o reemplazado, a discreción exclusiva de Lincoln, de forma gratuita.

Esta garantía depende de la determinación que haga un representante autorizado de Lincoln de si el equipo es defectuoso. Para repararlo o reemplazarlo, debe enviar el equipo, cargos de transporte pagados de antemano, con prueba de compra a un centro de garantía y servicio autorizado de Lincoln, dentro del período de garantía.

Esta garantía se ofrece al comprador minorista original solamente. No se aplica a equipos dañados en accidentes, sobrecargas, abuso, uso indebido, negligencia, instalación defectuosa o material abrasivo o corrosivo, o a equipos reparados o alterados por personas que no estén autorizadas por Lincoln para reparar o alterar el equipo. Esta garantía se aplica solamente a equipos instalados, operados y mantenidos de forma estricta según las especificaciones y recomendaciones escritas proporcionadas por Lincoln o su personal autorizado.

ESTA GARANTÍA ES EXCLUSIVA Y EN LUGAR DE CUALQUIER OTRA GARANTÍA, EXPLÍCITA O IMPLÍCITA, INCLUIDA LA GARANTÍA DE COMERCIALIZACIÓN O IDONEIDAD PARA UN CIERTO FIN PERO SIN LIMITARSE A LA MISMA.

En ningún caso debe ser Lincoln responsable en caso de daños emergentes o concomitantes. La responsabilidad de Lincoln en cualquier reclamación para pérdidas o daños que surjan de la venta, reventa o empleo de equipos que suministra no debe en ningún caso exceder el precio de compra. Es posible que algunas jurisdicciones no permiten la exclusión o limitación de daños emergentes o concomitantes, de modo que es posible que la limitación o la exclusión anterior no se aplique en su caso.

Esta garantía le da derechos legales específicos.

También puede tener otros derechos que varían por jurisdicción. Para clientes que no estén ubicados en el Hemisferio Occidental o en el Lejano Oriente: póngase en contacto con Lincoln GmbH & Co. KG, Walldorf, Alemania, para obtener información sobre sus derechos de garantía.

Garantía limitada especial de Lincoln Industrial

### GARANTÍA ESPECIAL LIMITADA DE 2 AÑOS

Inyectores individuales 85772, 85782 e inyectores de repuesto 85771, 85781 de la serie SL-V Lincoln garantiza que la serie de inyectores SL-V no tiene defectos de material y fabricación durante dos (2) años después de la fecha de compra. Si Lincoln determina, a su exclusiva discreción, que un modelo de inyector (individual o de repuesto) es defectuoso durante este período de garantía, será reparado o reemplazado, a discreción de Lincoln, de forma gratuita.

### GARANTÍA ESPECIAL LIMITADA DE 5 AÑOS

Bombas de las series 20, 25, 40 sin accesorios, carreteles de servicio y pesado y de la serie 87000 sin accesorios  
Lincoln garantiza que las bombas de las series 20, 25, 40 sin accesorios y los carreteles de servicio pesado y de la serie 87000 (87300, 87500, 87700) sin accesorios no tienen defectos de material y fabricación durante cinco (5) años después de la fecha de compra. Si Lincoln determina, a su exclusiva discreción, que el equipo es defectuoso durante el primer año del período de garantía, será reparado o reemplazado, a discreción de Lincoln, de forma gratuita. En los años segundo (2) y tercero (3), la garantía de este equipo está limitada a la reparación y Lincoln pagará solamente por las piezas y la mano de obra. En los años cuarto (4) y quinto (5), la garantía de este equipo se limita a la reparación y Lincoln pagará por las piezas solamente.

Información de contacto de Lincoln Industrial

Para localizar al centro de servicio de Lincoln Industrial más cercano, llame a los números siguientes, o también puede usar nuestro sitio web

Servicio al cliente 314-679-4200  
Sitio web [lincolnindustrial.com](http://lincolnindustrial.com)

Americas:  
One Lincoln Way  
St. Louis, MO 63120-1578  
USA  
Phone +1.314.679.4200  
Fax +1.800.424.5359

Europe /Africa/Middle East  
Lincoln GmbH  
Heinrich-Hertz-Str. 2-8  
69190 Walldorf - Germany  
Phone/Fax +49.6227.33-0/-259  
[www.lincolnindustrial.de](http://www.lincolnindustrial.de)

Asia/Pacific:  
25 Int'l Business Park  
#01-65 German Centre  
Singapore 609916  
Phone +65.562.7960  
Fax +65.562.9967

© Copyright Lincoln Industrial Corp.  
2009  
Printed in Taiwan  
Web site:  
[www.lincolnindustrial.com](http://www.lincolnindustrial.com)