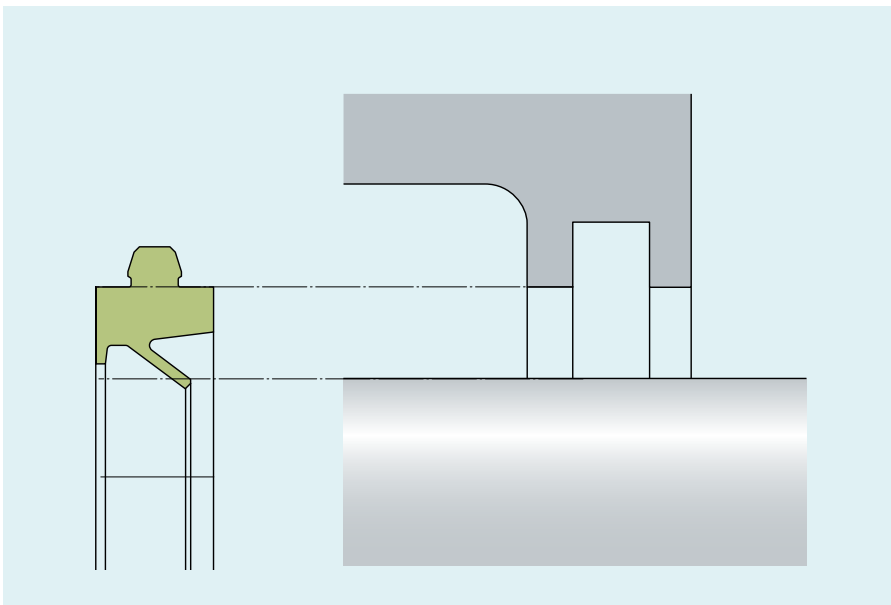


TXL-P



| Surface roughness | R_{tmax} | R_a |
|------------------------|------------|---------|
| | μm | |
| Sliding surface | $\leq 2,5$ | $< 0,8$ |

Higher surface roughness values (up to max. $R_a < 3,2 \mu m$) are possible, but seal performance or lifetime can be compromised.

| Operating parameters | | | | |
|----------------------|-------------|------|---------------------|----------------------------|
| Material Seal | Temperature | | Speed ¹⁾ | Misalignment ²⁾ |
| | from | to | max | max |
| | $^{\circ}C$ | | m/s | $^{\circ}$ |
| ■ ECOPUR | -30 | +110 | 11 | 0,5 – 1 |
| ■ H-ECOPUR | -20 | +110 | 11 | 0,5 – 1 |
| ■ S-ECOPUR | -20 | +110 | 11 | 0,5 – 1 |

IMPORTANT NOTE: Seal design specified for grease lubrication without pressure only. The stated operating conditions represent general indications, it is recommended not to use all maximum values simultaneously. Specified temperature range is relating to the corresponding seal material, operation in low temperature range for short terms only (e.g. cold start-up), during this time, the seal performance can be compromised.

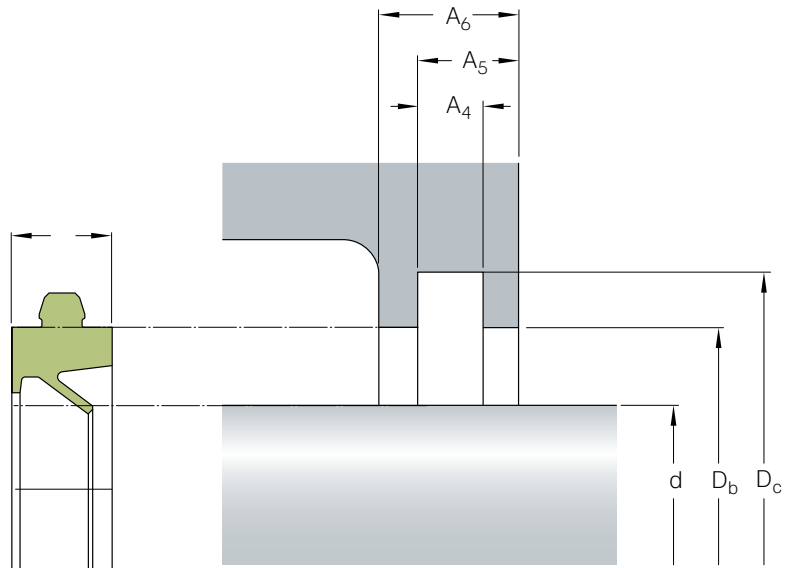
¹⁾ Surface speed limit values are valid only in the presence of a lubrication film. Ratings are depending also on heat removal possibilities.

²⁾ Fabrication tolerances of the diameters are to be considered.

Standard catalogue TXL seals online:



SKF offers, in addition to the machined TXL-P seals, the standard seal range TXL, off the shelf, in ECO-PUR for the metric SNL housings with shaft diameters ranging from 30 to 150 mm.



Housing dimensions

| SNL Housing designation | D _b H12 | D _c | A ₄ H13 | A ₅ | A ₆ | Metric shafts | | | Inch shafts | | |
|-------------------------|-----------------------|----------------|-----------------------|----------------|----------------|---------------|-------------------------|------------------------------|-------------|-------------------|------------------------------|
| | | | | | | d h9 | TXL-P designation | G-(L-) style cross reference | d h9 | TXL-P designation | G-(L-) style cross reference |
| | mm | | | | | mm | - | | inch | - | |
| SNL 205 | 36,5 | 44,5 | 5 | 7,5 | 10 | 20 | TXL-P 605 | TSN 605 G | | | |
| | | | | | | 25 | TXL-P 506 | TSN 506 G | | | |
| | | | | | | 30 | TXL-P 205 ¹⁾ | TSN 205 G ¹⁾ | | | |
| SNL 206 - 305 | 46,5 | 54,5 | 5 | 7,5 | 10 | 25 | TXL-P 606 | TSN 606 G | | | |
| | | | | | | 30 | TXL-P 507 | TSN 305 G (507 L) | | | |
| | | | | | | 35 | TXL-P 206 | TSN 206 G | | | |
| SNL 207 | 56,5 | 64,5 | 5 | 8 | 11 | 40 | TXL-P 509 | TSN 509 G (L) | | | |
| | | | | | | 45 | TXL-P 207 | TSN 207 G | | | |
| SNL 208 - 307 | 62 | 70,5 | 5 | 8 | 11 | 35 | TXL-P 608 | TSN 608 G | | | |
| | | | | | | 45 | TXL-P 510 | TSN 307 G (510 L) | | | |
| | | | | | | 50 | TXL-P 208 | TSN 208 G | | | |
| SNL 209 | 67 | 75,5 | 5 | 9 | 12 | 40 | TXL-P 609 | TSN 609 G (L) | | | |
| | | | | | | 50 | TXL-P 511 | TSN 511 G (L) | | | |
| SNL 210 | 72 | 80,5 | 5 | 9 | 12 | 55 | TXL-P 209 | TSN 209 G | | | |
| | | | | | | 45 | TXL-P 610 | TSN 610 G (L) | | | |
| | | | | | | 55 | TXL-P 512 | TSN 512 G (L) | | | |
| SNL 211 | 77 | 85,5 | 5 | 9 | 12 | 60 | TXL-P 210 | TSN 210 G | | | |
| | | | | | | 50 | TXL-P 611 | TSN 611 G (L) | | | |
| | | | | | | 60 | TXL-P 513 | TSN 513 G (L) | | | |
| SNL 212 | 87 | 95,5 | 5 | 9 | 12 | 65 | TXL-P 211 | TSN 211 G | | | |
| | | | | | | 55 | TXL-P 612 | TSN 612 G (L) | | | |
| | | | | | | 65 | TXL-P 515 | TSN 515 G (L) | | | |
| SNL 213 | 92,5 | 101 | 5 | 9 | 13 | 70 | TXL-P 212 | TSN 212 G | | | |
| | | | | | | 60 | TXL-P 613 | TSN 613 G (L) | | | |
| | | | | | | 70 | TXL-P 516 | TSN 516 G (L) | | | |
| SNL 215 | 102,5 | 111 | 5 | 9 | 13 | 75 | TXL-P 213 | TSN 213 G | | | |
| | | | | | | 65 | TXL-P 615 | TSN 615 G (L) | | | |
| | | | | | | 80 | TXL-P 518 | TSN 518 G (L) | | | |
| SNL 216 | 108 | 116,5 | 5 | 9 | 13 | 85 | TXL-P 215 | TSN 215 G | | | |
| | | | | | | 90 | TXL-P 216 | TSN 216 G | | | |
| | | | | | | 95 | TXL-P 217 | TSN 217 G | | | |
| SNL 217 | 112 | 120,5 | 5 | 9 | 13 | 100 | TXL-P 218 | TSN 218 G (L) | | | |
| SNL 505 | 31,5 | 39,5 | 5 | 7,5 | 10 | 20 | TXL-P 505 | TSN 505 G | 3/4 | TXL-P 505/3/4 | TSN 505 GE |
| SNL 506 - 605 | 36,5 | 44,5 | 5 | 7,5 | 10 | 25 | TXL-P 506 | TSN 506 G | 3/4 | TXL-P 605/3/4 | TSN 605 GE |
| | | | | | | | | | 15/16 | TXL-P 506/15/16 | TSN 506 GA |
| | | | | | | 30 | TXL-P 205 ¹⁾ | TSN 205 G ¹⁾ | 1 | TXL-P 506/1 | TSN 506 G |

IMPORTANT NOTES:

¹⁾ Please contact your nearest SKF machined seals unit, not part of standard software.

Housing dimensions

| SNL Housing designation | D _b H12 | D _c | A ₄ H15 | A ₅ | A ₆ | Metric shafts | | | Inch shafts | | | | | |
|-------------------------|-----------------------|----------------|-----------------------|----------------|----------------|---------------|-------------------|---------------------------------|-------------|-------------------|---------------------------------|---------|-------------------|-----------------|
| | | | | | | d h9 | TXL-P designation | G-(L-) style cross reference | d h9 | TXL-P designation | G-(L-) style cross reference | | | |
| | mm | | | | | mm | - | | inch | - | | | | |
| SNL 507 - 606 | 46,5 | 54,5 | 5 | 8 | 11 | 25 | TXL-P 606 | TSN 606 G | 15/16 | TXL-P 606/15/16 | TSN 606 GA | | | |
| | | | | | | 30 | TXL-P 507 | TSN 207 L (507 L) | 1 3/16 | TXL-P 507/1.3/16 | TSN 507 L | | | |
| | | | | | | 35 | TXL-P 306 | TSN 306 G | 1 | TXL-P 606/1 | TSN 606 G | | | |
| SNL 508 - 607 | 51,5 | 59,5 | 5 | 8 | 11 | 30 | TXL-P 607 | TSN 607 G | 1 1/8 | TXL-P 507/1.1/8 | TSN 507 GS | | | |
| | | | | | | | | | 1 1/8 | TXL-P 607/1.1/8 | TSN 607 GS | | | |
| | | | | | | | | | 1 3/8 | TXL-P 508/1.3/8 | TSN 508 L | | | |
| SNL 509 | 56,5 | 64,5 | 5 | 9 | 12 | 40 | TXL-P 509 | TSN 509 L | 1 3/8 | TXL-P 607/1.3/16 | TSN 607 G | | | |
| | | | | | | | | | 1 7/16 | TXL-P 509/1.7/16 | TSN 509 GA | | | |
| | | | | | | | | | 1 1/2 | TXL-P 509/1.1/2 | TSN 509 GE | | | |
| SNL 510 - 608 | 62 | 70,5 | 5 | 9 | 12 | 35 | TXL-P 608 | TSN 608 G | 1 1/4 | TXL-P 608/1.1/4 | TSN 608 GE | | | |
| | | | | | | | | | 1 3/8 | TXL-P 608/1.3/8 | TSN 608 G | | | |
| | | | | | | | | | 1 3/4 | TXL-P 510/1.3/4 | TSN 510 L | | | |
| SNL 511 - 609 | 67 | 75,5 | 5 | 9 | 12 | 50 | TXL-P 308 | TSN 308 G | 1 11/16 | TXL-P 510/1.11/16 | TSN 510 GA | | | |
| | | | | | | | | | 40 | TXL-P 609 | TSN 609 G (L) | 1 1/2 | TXL-P 609/1.1/2 | TSN 609 GE |
| | | | | | | | | | 50 | TXL-P 511 | TSN 511 L | 1 15/16 | TXL-P 511/1.15/16 | TSN 511 L |
| SNL 512 - 610 | 72 | 80,5 | 5 | 9 | 12 | 45 | TXL-P 610 | TSN 610 G (L) | 1 7/16 | TXL-P 609/1.7/16 | TSN 609 GA | | | |
| | | | | | | | | | 60 | TXL-P 310 | TSN 310 G | 1 3/4 | TXL-P 610/1.3/4 | TSN 610 G (L) |
| | | | | | | | | | 55 | TXL-P 512 | TSN 512 L | 2 1/8 | TXL-P 512/2.1/8 | TSN 512 GS |
| SNL 513 - 611 | 77 | 85,5 | 5 | 9 | 13 | 50 | TXL-P 611 | TSN 611 G (L) | 1 15/16 | TXL-P 611/1.15/16 | TSN 611 G (L) | | | |
| | | | | | | | | | 60 | TXL-P 513 | TSN 513 L | 2 | TXL-P 611/2 | TSN 611 G (L) |
| | | | | | | | | | 65 | TXL-P 311 | TSN 311 G | 2 3/16 | TXL-P 513/2.3/16 | TSN 513 GA (LA) |
| SNL 515 - 612 | 87 | 95,5 | 5 | 9 | 13 | 55 | TXL-P 612 | TSN 612 G (L) | 2 1/4 | TXL-P 511/2 | TSN 511 L | | | |
| | | | | | | | | | 65 | TXL-P 515 | TSN 515 L | 2 1/8 | TXL-P 612/2.1/8 | TSN 612 GS |
| | | | | | | | | | 70 | TXL-P 312 | TSN 312 G | 2 7/16 | TXL-P 515/2.7/16 | TSN 515 GA (LA) |
| SNL 516 - 613 | 92,5 | 101 | 5 | 9 | 13 | 60 | TXL-P 613 | TSN 613 G (L) | 2 1/2 | TXL-P 512/2.1/2 | TSN 512 GE | | | |
| | | | | | | | | | 70 | TXL-P 516 | TSN 516 L | 2 1/2 | TXL-P 613/2.3/16 | TSN 613 GA |
| | | | | | | | | | 75 | TXL-P 313 | TSN 313 G | 2 3/4 | TXL-P 613/2.3/4 | TSN 613 GE |
| SNL 517 | 97,5 | 106 | 5 | 9 | 13 | 75 | TXL-P 517 | TSN 517 L | 2 11/16 | TXL-P 516/2.3/4 | TSN 516 L | | | |
| | | | | | | | | | 80 | TXL-P 314 | TSN 314 G | 2 11/16 | TXL-P 516/2.11/16 | TSN 516 GA |
| | | | | | | | | | 85 | TXL-P 615 | TSN 615 G (L) | 2 15/16 | TXL-P 517/2.15/16 | TSN 517 L |
| SNL 518 - 615 | 102,5 | 111 | 5 | 9 | 13 | 65 | TXL-P 615 | TSN 615 G (L) | 3 | TXL-P 517/3 | TSN 517 L | | | |
| | | | | | | | | | 80 | TXL-P 518 | TSN 518 L | 2 7/16 | TXL-P 615/2.7/16 | TSN 615 GA |
| | | | | | | | | | 85 | TXL-P 315 | TSN 315 G | 2 1/2 | TXL-P 615/2.1/2 | TSN 615 GE |
| SNL 519 - 616 | 131 | 141 | 6 | 10 | 14 | 70 | TXL-P 616 | TSN 616 G (L) | 3 3/16 | TXL-P 518/3.3/16 | TSN 518 L | | | |
| | | | | | | | | | 85 | TXL-P 519 | TSN 519 L | 3 1/4 | TXL-P 518/3.1/4 | TSN 518 L |
| | | | | | | | | | 90 | TXL-P 316 | TSN 316 G | 2 11/16 | TXL-P 616/2.11/16 | TSN 616 GA |
| SNL 520 - 617 | 137,5 | 147,5 | 6 | 10 | 14 | 75 | TXL-P 617 | TSN 617 G (L) | 2 3/4 | TXL-P 616/2.3/4 | TSN 616 G (L) | | | |
| | | | | | | | | | 90 | TXL-P 520 | TSN 520 L | 2 15/16 | TXL-P 617/2.15/16 | TSN 617 G (L) |
| | | | | | | | | | 95 | TXL-P 317 | TSN 317 G | 3 | TXL-P 617/3 | TSN 617 G (L) |
| SNL 522 - 619 | 147,5 | 157,5 | 6 | 10 | 14 | 115 | TXL-P 220 | TSN 220 G (L) | 3 7/16 | TXL-P 520/3.7/16 | TSN 520 GA | | | |
| | | | | | | | | | 85 | TXL-P 619 | TSN 619 G | 3 1/2 | TXL-P 520/3.1/2 | TSN 520 GE |
| | | | | | | | | | 100 | TXL-P 522 | TSN 522 L | 3 1/4 | TXL-P 619/3.1/4 | TSN 619 GE |
| SNL 524 - 620 | 157,5 | 167,5 | 6 | 11 | 15 | 125 | TXL-P 222 | TSN 222 G (522 L) | 3 15/16 | TXL-P 522/3.15/16 | TSN 522 L | | | |
| | | | | | | | | | 90 | TXL-P 620 | TSN 620 G | 4 | TXL-P 522/4 | TSN 522 L |
| | | | | | | | | | 110 | TXL-P 524 | TSN 524 G (L) | 3 7/16 | TXL-P 620/3.7/16 | TSN 620 GA |
| SNL 526 | 167,5 | 177,5 | 6 | 11 | 15 | 115 | TXL-P 526 | TSN 526 G (L) | 3 1/2 | TXL-P 620/3.1/2 | TSN 620 GE | | | |
| | | | | | | | | | 145 | TXL-P 226 | TSN 226 G (L) | 4 3/16 | TXL-P 524/4.3/16 | TSN 524 GA |
| | | | | | | | | | 125 | TXL-P 528 | TSN 528 G (L) | 4 1/4 | TXL-P 524/4.1/4 | TSN 524 GE |
| SNL 528 | 177,5 | 187,5 | 6 | 11 | 15 | 155 | TXL-P 228 | TSN 228 G | 4 7/16 | TXL-P 526/4.7/16 | TSN 526 GA | | | |
| | | | | | | | | | 135 | TXL-P 530 | TSN 530 G (L) | 4 1/2 | TXL-P 526/4.1/2 | TSN 526 G (L) |
| | | | | | | | | | 165 | TXL-P 230 | TSN 230 G | 4 15/16 | TXL-P 528/4.15/16 | TSN 528 G (L) |
| SNL 530 | 192,5 | 202,5 | 6 | 11 | 15 | 135 | TXL-P 530 | TSN 530 G (L) | 5 | TXL-P 528/5 | TSN 528 GE | | | |
| | | | | | | | | | 165 | TXL-P 230 | TSN 230 G | 5 3/16 | TXL-P 530/5.3/16 | TSN 530 GA |
| | | | | | | | | | 140 | TXL-P 532 | TSN 532 G (L) | 5 1/4 | TXL-P 530/5.1/4 | TSN 530 GE |
| SNL 532 | 202,5 | 212,5 | 6 | 11 | 15 | 175 | TXL-P 232 | TSN 232 G | 5 7/16 | TXL-P 532/5.7/16 | TSB 532 GA | | | |
| | | | | | | | | | 5 1/2 | TXL-P 532/5.1/2 | TSN 532 G (L) | | | |

Ordering example, metric, ECOPUR: TXL-P 605

Seal design: Rotary seal TXL-P

SNL housing + metric shaft combination: 605

Standard sealing material: ECOPUR

Ordering example, inch, other material: TXL-P 605/3/4 S-ECOPUR

Design: Rotary seal TXL-P

SNL housing + inch shaft combination: 605/3/4

Sealing material: S-ECOPUR



skf.com | skf.com/seals

® SKF, ECOPUR, H-ECOPUR and S-ECOPUR are registered trademarks of AB SKF (publ).

© SKF Group 2024. All rights reserved. Please note that this publication may not be copied or distributed, in whole or in part, unless prior written permission is granted.

Every care has been taken to ensure the accuracy of the information contained in this publication, but no liability can be accepted for any loss or damage whether direct, indirect or consequential arising out of the use of the information contained herein.

PUB SE/P8 19855 EN · February 2024