

TR/3/P/PTV

The TR/3/P/PTV seal is a standard TR/3 rotary shaft seal with an additional dust lip, sufficiently robust to prevent keep contamination out of the sealing system and damaging the main lip.



The TR/3/P/PTV seal is characterized by a solid back and a particularly robust lip with an exclusive antifriction band patented with number PCT/EP2006/004962.

It is suitable for non-critical applications, for which other types of seals cannot be used, due to limited available space.

The TR/3/P/PTV solid back and lip area provide a good flexibility, to compensate shaft misalignment and a maximum pressure of 0,5 bar. Furthermore, the spring embedding has been carefully studied to prevent its tilting during mounting.

The standard TR/3/P/PTV seal back is made of high resistance cotton fabric combined with a nitrile elastomer (NBR) loaded with PTFE, in lip and body areas.

Dimensions and tolerances are according to DIN 3760.

Exclusive features of TR/3/P/PTV seals are:

- Antifriction material vulcanized during the process according to patent PCT/EP2006/004962
- Additional barrier against external contaminants due to additional dust lip
- Improved resistance to possible shaft misalignments
- Decreased radial force exerted on shaft
- Significantly reduced friction and consequent temperature decrease
- Protected spring to avoid slipping/popping out from groove
- Reduced spring preload
- Absence of external metallic parts and consequent prevention of damages to housing bore

The TR/3/P/PTV is also available as split version (TR/3/P/PTV/SPLIT) enabling easier assembly (no pressure applicable) in applications, where it would be difficult or even impossible to use an endless design. Both solutions, TR/3/P/PTV endless and TR/3/P/PTV/SPLIT, require a retainer plate for a correct operation. There is also the possibility of gluing the TR/3/P/PTV/SPLIT large diameter seals, using cold or hot gluing processes.

Possible size range for TR/3/P/PTV seals: $\varnothing d_{\min} = 15 \text{ mm}$; $\varnothing D_{\max} = 2\,530 \text{ mm}$ (please also see the drawing at the next page)

Materials

The table below shows working temperature ranges (minimum, maximum, peak (*)) applicable to each type of compound as well as possible spring configurations.

Material	Temperature		Standard spring	Special spring	Recommended circumferential shaft speed	Misalignment
	min	max				
	°C	°C (*)				
NBR	-30	+100 (+120)	Carbon steel	AISI 302	15	According to cross section
HNBR	-40	+150 (+175)	Carbon steel	AISI 302	20	
FKM	-20	+200 (+250)	AISI 302	AISI 316	25	

The PTFE compounds used for the TR/3/P/PTV coating design may vary depending on the applications demand. The table below shows the most used ones with the relative coefficients of friction. For more details, please contact the TENUITE Technical Department / SKF Seals Application Engineering.

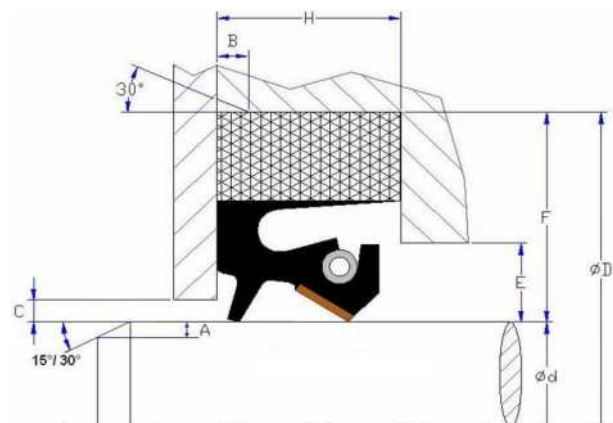
- 1* ... PTFE with glass and molybdenum bisulfide
- 2* ... PTFE with carbon and graphite
- 3* ... PTFE with bronze
- 4* ... PTFE with bronze and molybdenum bisulfide

Material	Coefficient of friction
PTFE Virgin	0,06
PTV / MoS ₂ (1*)	0,08
PG (2*)	0,11
PB (3*)	0,13
PB / MoS ₂ (4*)	0,13

Assembly of TR/3/P/PTV seals

The drawing shows the details of the housing dimensions and the assembly of the TR/3/P/PTV seal.

Particular applications or requirements different from those details shall be agreed with the TENUITE Technical Department / SKF Seals Application Engineering.



$$C_{\text{maximum}} = 0,2 \times F$$

$$E_{\text{maximum}} = 0,5 \times F$$

Shaft and housing diameter tolerance

Shaft diameter Ød		Tolerance	Housing diameter ØD		Tolerance
Over	Up to		Over	Up to	
mm	mm		mm	mm	
15	1 000	h11	30	1 000	H10
1 000	2 480	h10	1 000	2 530	H9

Housing height tolerance

Housing height H	Tolerance
mm	mm
Up to 15	+0 / -0,1
Over 15	+0,1 / -0,1

Shaft and housing chamfers

Shaft diameter Ød		Shaft chamfer A	Housing diameter ØD		Housing chamfers	
Over	Up to	minimum	Over	Up to	H	B
mm	mm	mm	mm	mm	mm	mm
15	50	1,5	30	50	10	1
50	250	3	50	250	15	1,5
250	800	4,5	250	800	20	2
800	1 500	6	800	1 500	30	3
1 500	2 480	7,5	1 500	2 530	40	4

Shaft and housing surface finishing

A roughness of Ra from 0,2 to 0,6 µm is recommended for the shaft in standard applications, while in case of high speeds, a finishing to Ra from 0,2 to 0,4 µm is recommended. Plunge grinding is required. For the housing bore a finish turning is sufficient.

Shaft hardness

Up to 15 m/s	Over 15 m/s
40 HRC	60 HRC and above
PTFE PG (2*)	PTFE PB (3*)

skf.com | skf.com/seals

© SKF and TENUTE are registered trademarks of the SKF Group

© SKF Group 2024

The contents of this publication are the copyright of the publisher and may not be reproduced (even extracts) unless prior written permission is granted. Every care has been taken to ensure the accuracy of the information contained in this publication, but no liability can be accepted for any loss or damage whether direct, indirect, or consequential arising out of the use of the information contained herein. All data mentioned in this publication are given as an indication. SKF Seals Application Engineering / TENUTE Technical Department reserves the right to change and improve its products according to application specifications and test results.