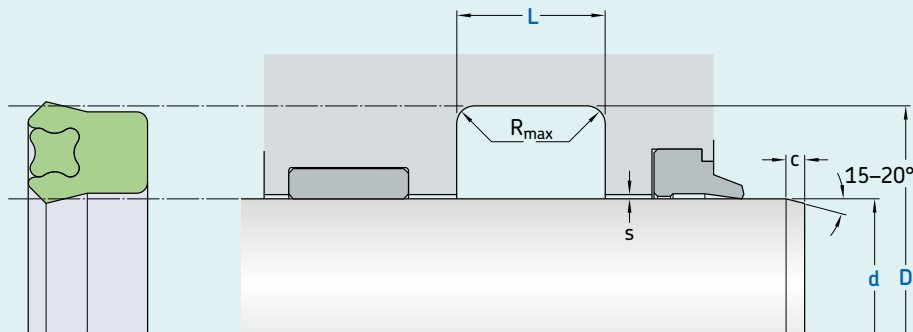


# PTB-R



Ordering dimensions in **blue**

Surface roughness	$R_{tmax}$	$R_a$
	$\mu m$	
<b>Sliding surface</b>	$\leq 2.5$	0.05–0.3
<b>Bottom of groove</b>	$\leq 6.3$	$\leq 1.6$
<b>Groove face</b>	$\leq 15$	$\leq 3$

Bearing area: 50–95% and a cutting depth of  $0.5 R_z$  based on  $C_{ref} = 0\%$

Standard dimensions						Maximal radial extrusion gap		
d	D	L	$R_{max}$	c	$s^1)$	20 bar	100 bar	160 bar
f8	H10	+ 0.2						
over	incl.							
mm						mm		
<b>5</b>	<b>25</b>	d + 8	6.3	0.4	3.5	0.23	0.16	0.14
<b>25</b>	<b>50</b>	d + 10	8.0	0.4	4.0	0.26	0.19	0.17
<b>50</b>	<b>150</b>	d + 15	10.0	0.4	5.0	0.31	0.24	0.22
<b>150</b>	<b>300</b>	d + 20	14.0	0.4	6.0	0.34	0.27	0.25
<b>300</b>	<b>500</b>	d + 25	17.0	0.4	8.5	0.37	0.30	0.29
<b>500</b>	<b>600</b>	d + 30	25.0	0.4	10.0	0.40	0.34	0.32
<b>600</b>	<b>1000</b>	d + 40	32.0	0.4	13.0	0.40	0.34	0.32
<b>1000</b>	<b>1600</b>	d + 50	40.0	0.4	15.0	0.40	0.34	0.32

<sup>1)</sup> Extrusion gap values shown above are valid for a temperature of 70 °C, higher temperatures require lower values.

## Ordering example

Profile  
d x D x L [mm]  
Sealing material

Rod seal PTB-R  
**100 x 115 x 10**  
SKF Ecorubber-1 / NBR 70

**Operating parameters**

Material Seal	Energizer	Temperature		Speed <sup>1)</sup>	Pressure <sup>2)</sup>
		from	to	max	max
		°C		m/s	bar (MPa)
■ SKF Ecorubber-1	NBR 70	-30	+100	0.5	160 (16)

IMPORTANT NOTE: The stated operating conditions represent general indications. It is recommended not to use all maximum values simultaneously.  
<sup>1)</sup> Surface speed limit values are valid only in the presence of a lubrication film.  
<sup>2)</sup> Pressure ratings depend on the size of the extrusion gap.

